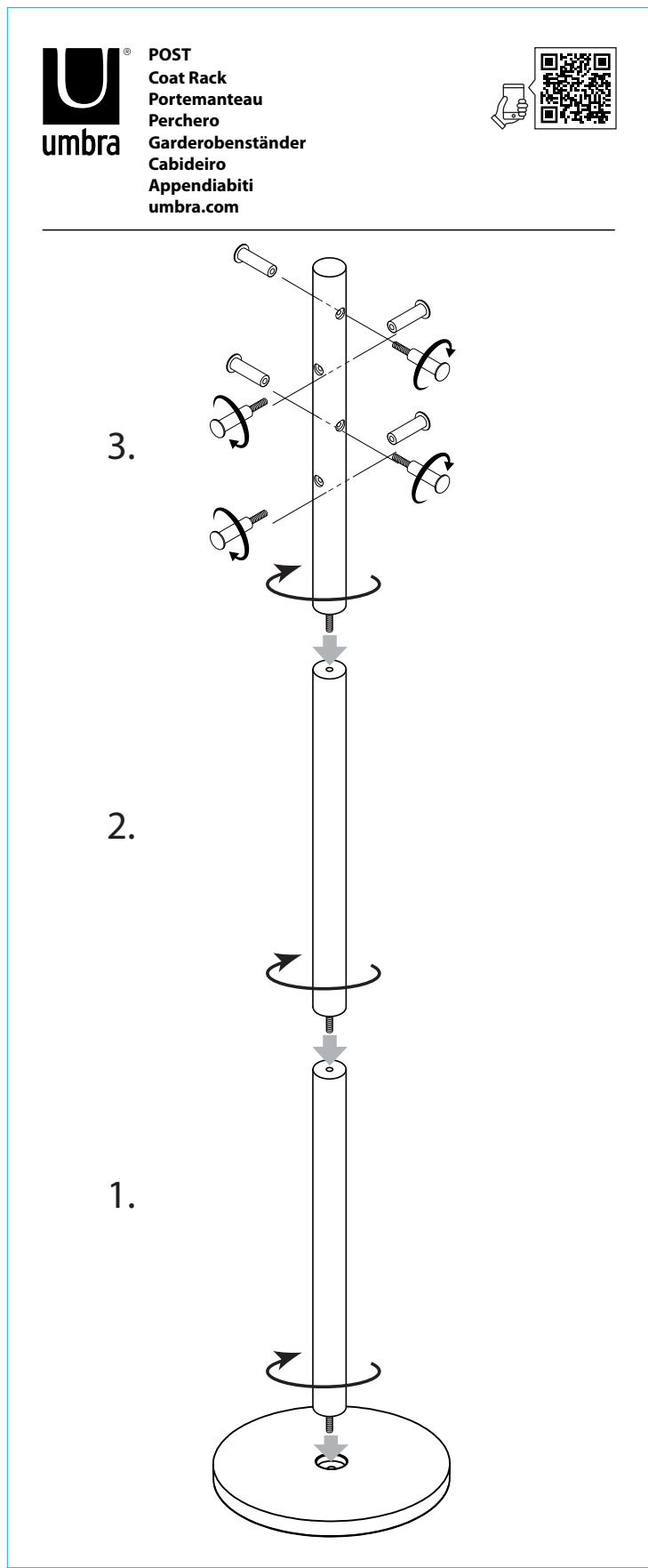


1022937 POST COAT RACK 1/22

1022937-xxx-C90

Instruction sheet

96 mm



232 mm



POST  
Coat Rack  
Portemanteau  
Perchero  
Garderobenständer  
Cabideiro  
Appendiabiti  
umbra.com



Umbra Ltd.  
40 Emblem Court  
Toronto, Ontario  
Canada, M1S 1B1  
tel : 416-299-0088  
fax : 416-299-9276

Docket : 1022937 Artist : AL/SF Category manager : LC  
Date : 04/15/2025 Scaled @ : 100% Application/Version : Illustrator CS6  
Revision : 01 Colour : CMYK + Matte

NOTE: THIS COLOUR OUTPUT IS NOT COLOUR ACCURATE DATE APPROVED:

All copyright, design and other intellectual property rights in the contents hereof are the sole and exclusive property of Umbra Ltd./Umbra Inc. The provision of this document to you does not afford you any ownership rights or license to use or reproduce same, all of which remains the property of Umbra Ltd./Umbra Inc. Reproduction, storage in a retrieval system, or transmission in any form by any means, whether electronic, mechanical or otherwise, in whole or part, without the prior written consent of Umbra Ltd./Umbra Inc. is strictly prohibited.

SKU#:  DESIGNER:   
COLOUR:  FACEPAPER:   
SUFFIX:  BAR CODE#:   
NAME:  CARB:   
DESCRIPTION:  DATE:   
SIZE:  PROOFED BY: