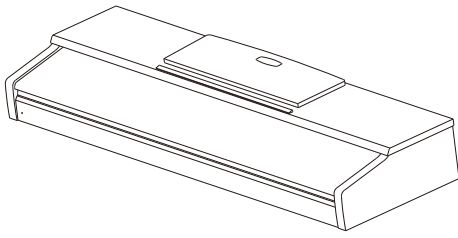
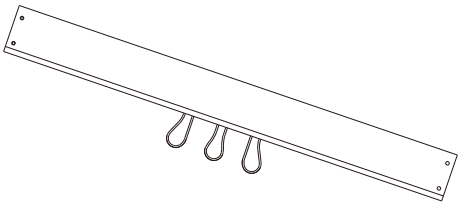


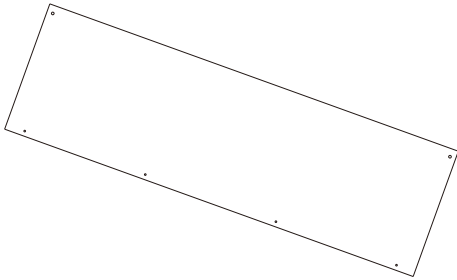
Components



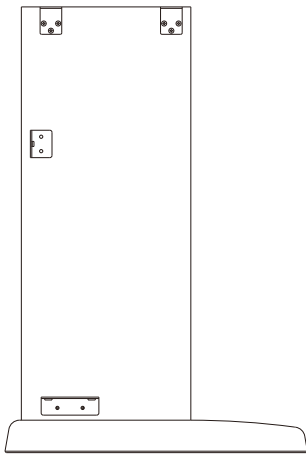
Piano Main Body



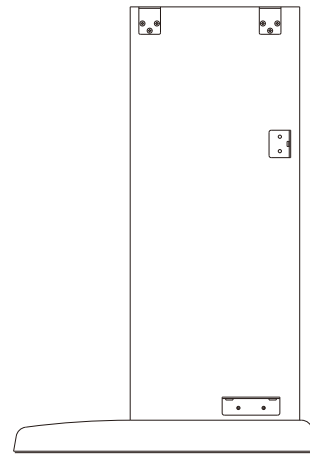
Pedal



Lower Panel



Right Sideboard



Left Sideboard



4*16 pan head wood tapping screw (6pcs)



Headphone Hook (1pc)



M6*20 pan head screw (8pcs)



M6*16 pan head screw (2pcs)

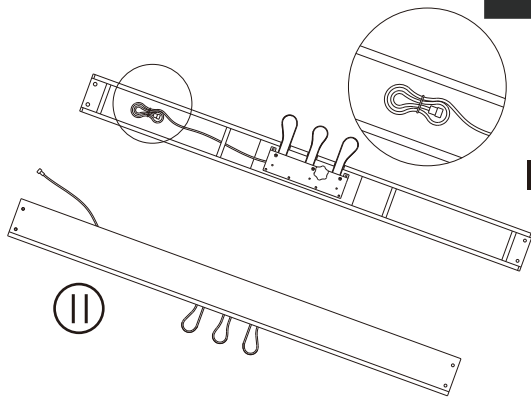


Adjusting Screw (1pc)



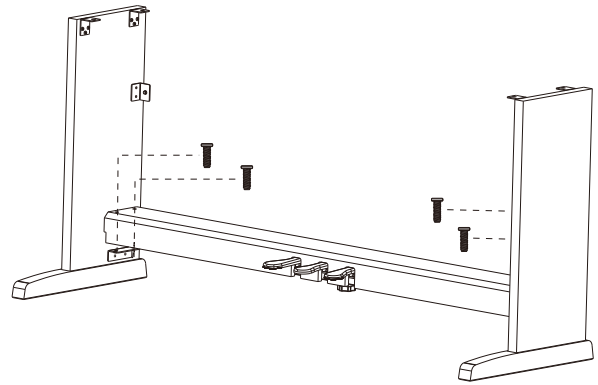
Wire holder (2pcs)

1



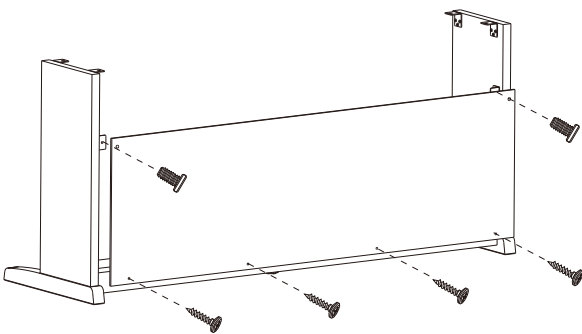
Install the adjusting screw on the pedal
(Do not fix it up).
Take out the pedal cable from the part pedal
and place the cable with the direction of "II".

2



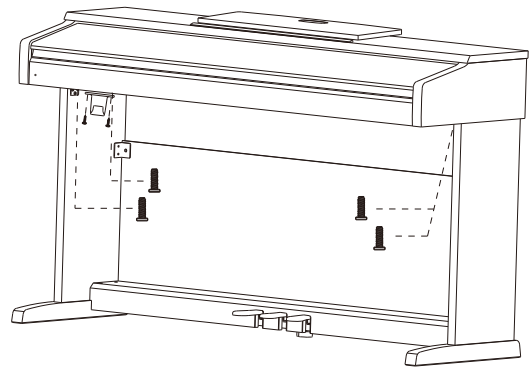
Install 4pcs M6*20 pan head screws on the pedal
to fix with the left & right sideboard.

3



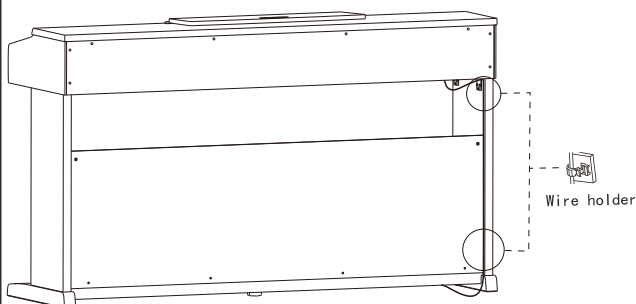
1. Install 2pcs M6*16 pan head screws on the lower panel to fix with left & right sideboard.
2. Install 4pcs 4*16 pan head wood tapping screws on the lower panel to fix with pedal.

4



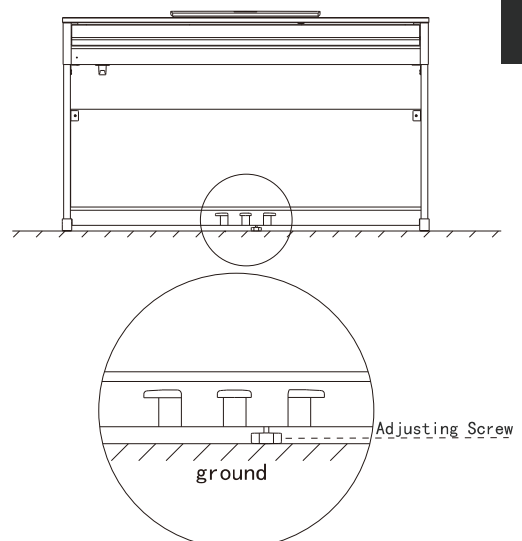
1. Install 4pcs M6*20 pan head screws to connect piano main body and lower parts and fix it.
2. Install 2pcs 4*16 pan head wood tapping screws to fix the headphone hook.

5



Fix the pedal wire with 2 wire holder. (As picture)

6



Move the piano to a certain place, and adjust
the pedal adjusting screw to the ground.