



H90 / H100

多角度調整電視架 Full Motion TV Mount

安裝說明書 Installation Guide

注意：

- 安裝前請詳閱說明書，或由專業人員為您施工。
- 切勿讓兒童攀爬產品或玩耍產品。
- 請勿坐在或站在產品上。
- 請勿放置超過建議荷重重量的物品。
- 如果您不理解這些說明或有疑問，為了確保本次安裝的安全，請聯絡專業施工人員。
- 製造商對下列原因造成的損壞或傷害不承擔責任
例如：不正確的安裝、組裝或使用。
- 此裝置相容規格表所列的吋液晶電視尺寸。
- 電視的重量不得超過規格表所建議之重量。
- 牆壁必須能支撐電視加上支架的五倍重量。
- 處理不當可能會導致割傷或撕裂傷。
- 圖片僅供參考。



Caution:

- Please read the instructions carefully before installation, or have the work performed by a professional.
- Never allow children to climb on or play with the product.
- Do not sit or stand on the product.
- Do not place items that exceed the recommended load capacity.
- If you do not understand these instructions or have any concerns about safety, please consult a professional installer.
- The manufacturer is not responsible for any damage or injury caused by improper installation, assembly, or use.
- This device is compatible with LCD TV sizes listed in the specifications.
- The TV's weight must not exceed the recommended limit.
- The wall must be capable of supporting five times the combined weight of the TV and the mount.
- Improper handling may result in cuts or lacerations.
- Images are for reference only.

規格表

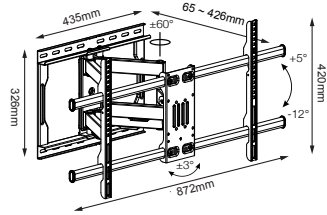
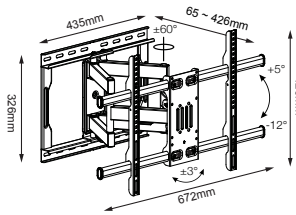
型號：H90
 VESA：100x100-600x400mm
 電視尺寸：40-90 inches
 建議最大荷重：55kg
 傾斜微調角度：+5° / -12°
 左右移動角度：60°
 水平微調角度：-3° / +3°
 離牆距離：65-426mm

型號：H100
 VESA：100x100-800x400mm
 電視尺寸：40-100 inches
 建議最大荷重：55kg
 傾斜微調角度：+5° / -12°
 左右移動角度：60°
 水平微調角度：-3° / +3°
 離牆距離：65-426mm

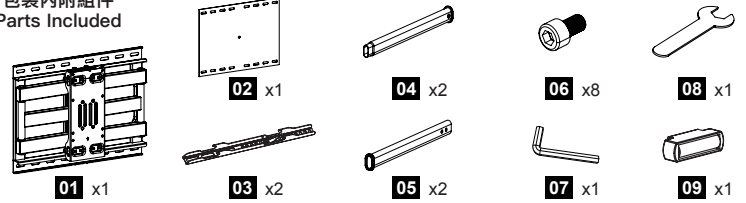


掃描QR CODE
觀看安裝教學影片

所需工具(未附上) Tools Required (Not Included)



包裝內附組件 Parts Included



六角螺絲 Lag Bolt	六角螺絲華司 Lag Bolt Washers	塑膠壁虎 (塑膠膨脹管) Wall Anchor	電視螺絲 TV Screws	華司 TV Washers	墊片 TV Spacers
5/16x2.75" A x6			M4X12mm D x4	Ø5 J-1 x4	L 5mm K x8
			M4X30mm E x4	Ø8 J-2 x4	L 10mm L x8
			M5X25mm Y x4		
			M6X15mm F x4		
			M6X35mm G x4		
			M8X15mm H x4		
			M8X30mm I x4		
			M8X50mm X x4		

步驟 1A：安裝牆面支架(水泥、磚牆) Step 1A: Wall Plate Install (Solid Concrete or Concrete Block)

1A-1

使用定位紙卡於牆面上做記號。
 Use the positioning template to mark the wall.

▲ Max. 16 in. (406mm)

1A-2

於定位點，使用10mm鑽頭鑽入75mm深度。
 At the marked points, drill to a depth of 75mm using a 10mm drill bit.

1A-3

安裝塑膠壁虎(塑膠膨脹管)。
 Install wall anchors.

1A-4

安裝牆面支架。
 在進行下一步之前，請確認牆面支架已牢固固定於牆面上。
 Install the wall mount bracket. Before proceeding to the next step, ensure the wall mount bracket is securely fastened to the wall.

步驟 1B：安裝牆面支架(牆面內部為木角材) Step 1B: Wall Plate Install (Wood Stud)

1B-1

使用牆體偵測器確認木角材位置。牆面石膏板、飾板厚度建議厚度小於5/8英寸(16mm)。
 ▲ 安裝位置必須對準木角材中心。
 Use a stud finder to locate the wood studs. The thickness of the drywall and wall covering must not exceed 5/8 in. (16 mm).
 ▲ The installation position must be aligned with the center of the wood stud.

1B-2

使用定位紙卡於牆面上做記號。
 Use the positioning template to mark the wall.

1B-3

使用電鑽預鑽孔。深度：3英寸(75mm)。直徑：7/32英寸(5.5mm)。
 Pre-drill the mounting holes. Depth: 3 in. (75 mm). Diameter: 7/32 in. (5.5 mm).

1B-4

安裝牆面支架。
 在進行下一步之前，請確認牆面支架已牢固固定於牆面上。
 Install the wall mount bracket. Before proceeding to the next step, ensure the wall mount bracket is securely fastened to the wall.

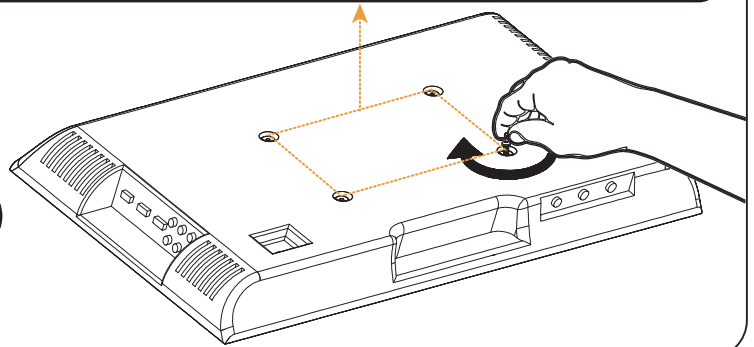
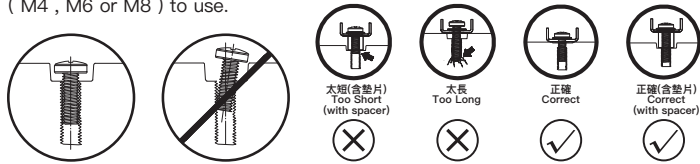
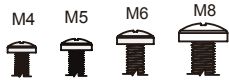
步驟 2：選擇電視螺絲與確認VESA規格 Step 2: Select TV Screws & Confirm VESA Specification

請查閱您的顯示器型號說明書，或測量背面壁掛孔 (VESA) 的中心距離 (水平 x 垂直，單位：mm)

Please refer to your monitor's user manual or measure the distance between the mounting holes on the back (Horizontal x Vertical, in mm).

以手動方式將螺絲旋入電視背面的螺紋孔，以判斷應使用哪種螺絲尺寸。

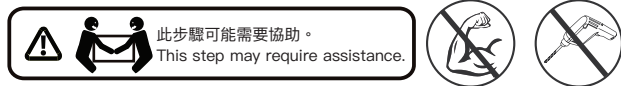
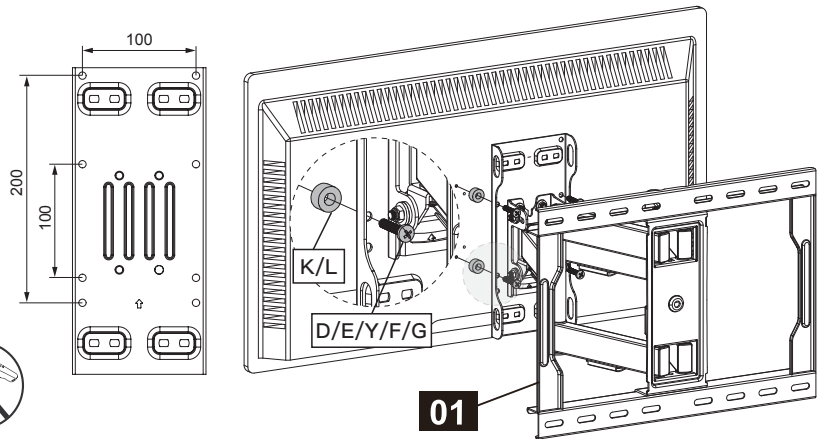
Hand thread screws into the threaded inserts on the back of your TV to determine which screw diameter (M4, M6 or M8) to use.



步驟 3A：VESA 100x100或100x200 安裝方式 Step 3A: Install method of VESA 100x100 or 100x200

執行此步驟前，請確認 **01** 支架已穩固安裝於牆面上。若顯示器VESA尺寸為100x100 或 100x200 (水平x垂直，單位：mm) 請依照此方式安裝，安裝完畢後，可直接前往步驟6進行微調角度。

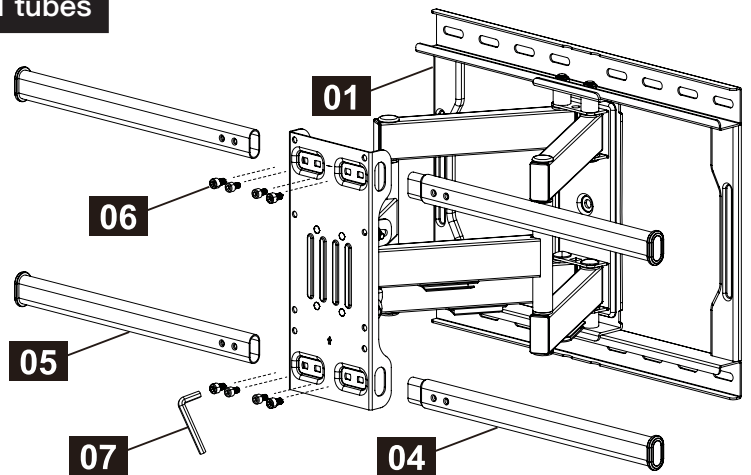
For VESA 100x100 or 100x200 (Horizontal x Vertical, in mm), follow this method. Then proceed to Step 6 to adjust the angle. Ensure the wall mount bracket **01** is securely fastened to the wall.



步驟 3B：安裝橢圓管 Step 3B: Install elliptical tubes

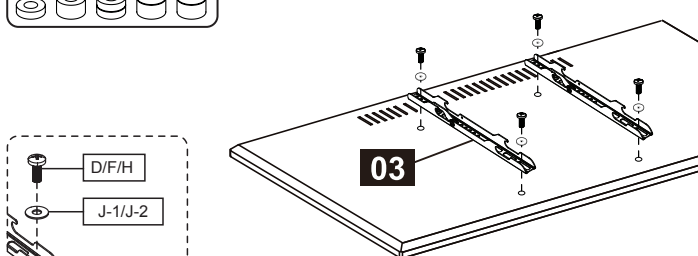
若顯示器VESA尺寸超過100x100 或 100x200 (水平x垂直，單位：mm) 請由此步驟繼續安裝。

If the monitor's VESA pattern exceeds 100x100 or 100x200 (Horizontal x Vertical, in mm), please continue from this step

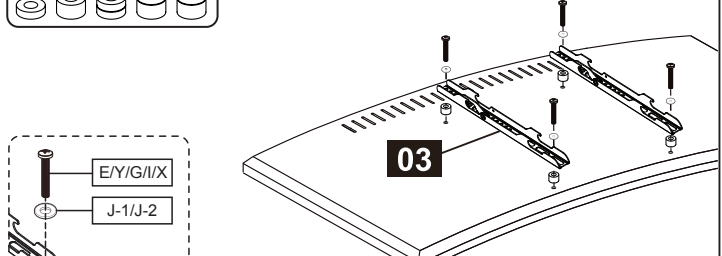


步驟 4：安裝電視機背掛架 Step 4: Secure TV Brackets to the back of TV

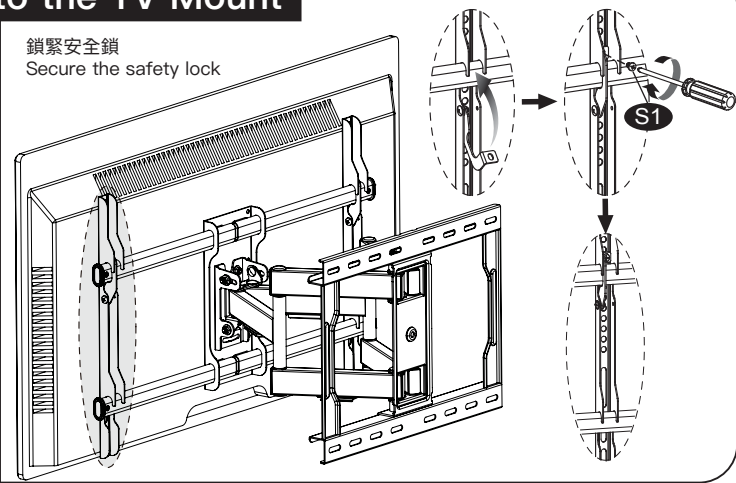
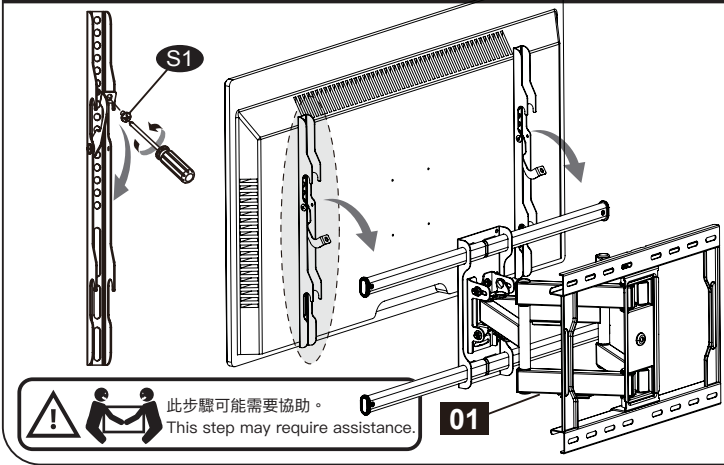
選擇各種墊片搭配組合
Alternate Spacer Setups



選擇各種墊片搭配組合
Alternate Spacer Setups



步驟5：掛上電視 Step5: Hang the TV onto the TV Mount



步驟6：微調角度 Step6: Angle adjustments

