

ITM. /ART: 1600022

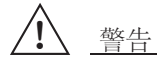
Mobile Storage Cabinet : 移動式儲物櫃

Instructions / 組裝說明書



**CAUTION**

- Two persons are required for assembly
- To avoid injury, use care when assembling
- Use on level surface
- Maximum load 45.3 kg / 100 lb per shelf.  
Exceeding this weight may damage product and cause potential injury

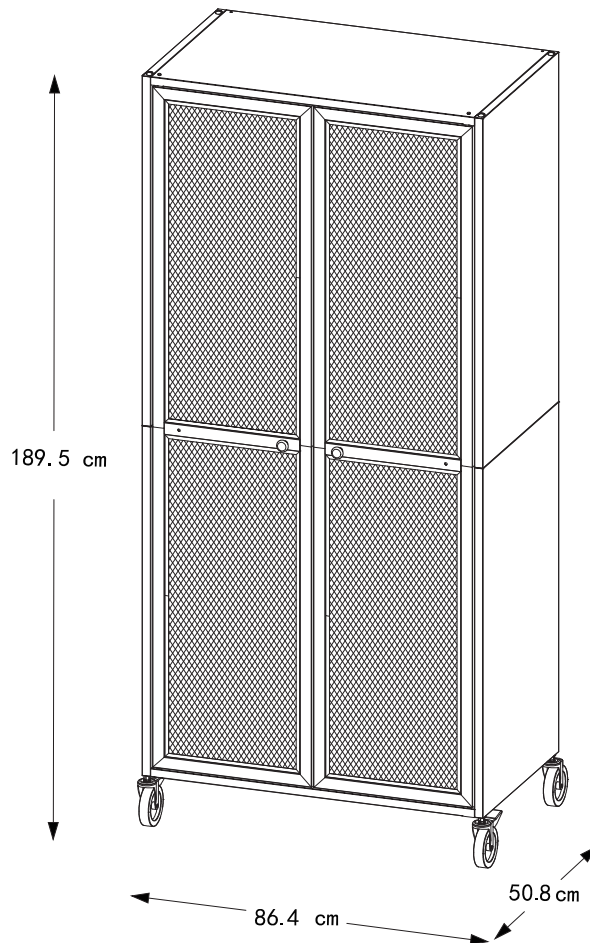


**警告**

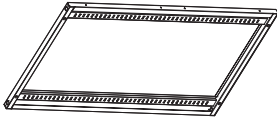
- 裝配需要兩個人
- 為避免損傷，裝時請使用防護裝備
- 在水平面上使用
- 每層層架最大負重45.3 kg  
超過這個重量可能會損壞產品，並造成潛在的傷害

**IMPORTANT, RETAIN FOR FUTURE REFERENCE:  
READ CAREFULLY**

內含重要資訊，請保留以供日後參考：請詳閱

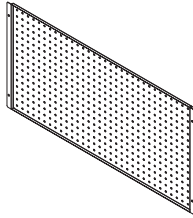


A



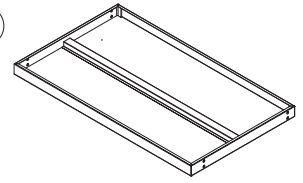
Side frame x 4  
側板 x 4

B



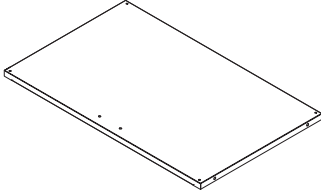
Back Panel x 4  
背板 x 4

C



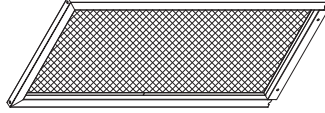
Middle panel x 1  
中間層板 x 1

D



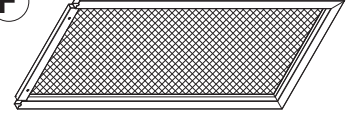
Top & Bottom panel x 2  
頂板&底板 x 2

E



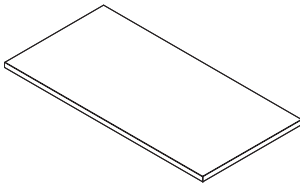
Upper Door x 2  
上門板 x 2

F



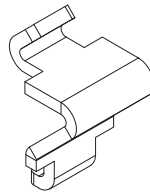
Lower Door x 2  
下門板 x 2

G



Active Panel x 2  
活動層板 x 2

H



Support of active panel x 8  
層板扣 x 8

I



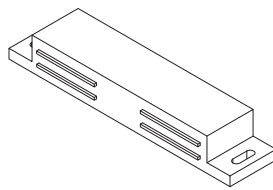
Connectors I x 4  
連接件 I x 4

J



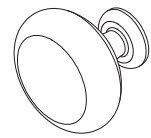
Connectors II x 4  
連接件 II x 4

K



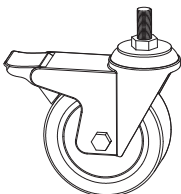
Door Magnetic Catch x 2  
門吸 x 2

L



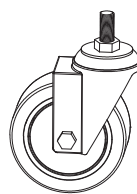
Door Handle x 2  
拉手 x 2

M



Casters with lock x 2  
腳輪帶刹 x 2

N



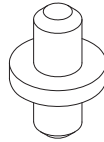
Casters x 2  
腳輪不帶刹 x 2

⓪



Nuts x 2  
M4螺母 x 2

Ⓟ



Door Pin I x 2  
門銷 I x 2

Ⓠ



Gasket x 2  
墊片 x 2

Ⓡ



41 mm Bolts(1/4) x 8(+2)  
螺栓: 1/4\*41mm x 8  
備用: 2

Ⓢ



16 mm Bolts (1/4) x 12(+2)  
螺栓: 1/4\*16mm x 12  
備用: 2

Ⓣ



25mm Bolts (M4) x 4  
螺栓: M4\*25mm x 4

Ⓤ



12mm Bolts (M4) x 4  
螺栓: M4\*12mm x 4

Ⓥ



12mm Bolts (M4) x 16(+2)  
螺栓: M4\*12mm x 16  
備用: 2

Ⓦ



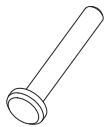
Wrench x 1  
扳手 x 1

Ⓧ



Hex Key x 1  
內六角: K4 x 1

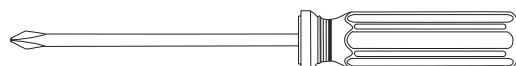
Ⓨ



Door Pin II x 2  
門銷 II x 2

**Tools needed for assembly(Not included)**

需使用到的裝備工具 (沒有附上)



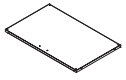
**Philips Screwdriver**

十字螺絲起子

# 1



**A** x 2



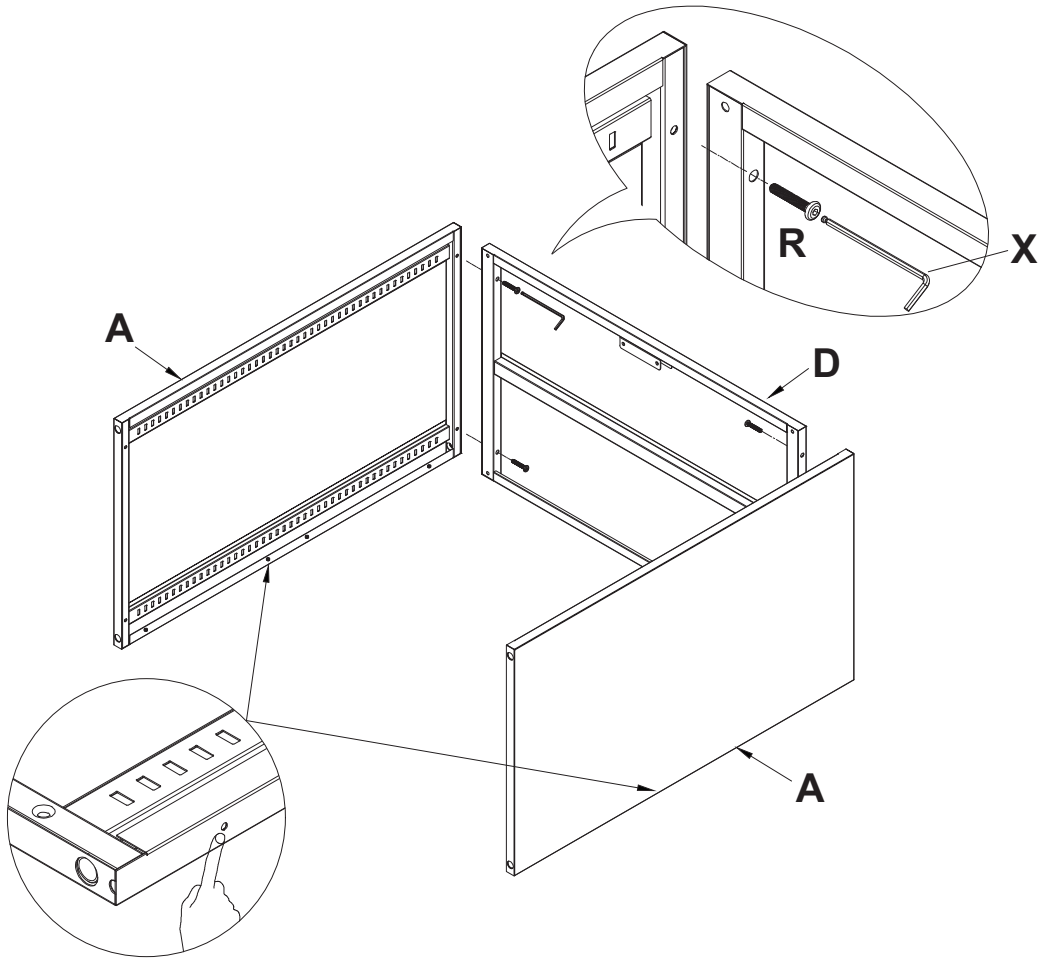
**D** x 1



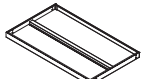
**R** x 4



**X** x 1



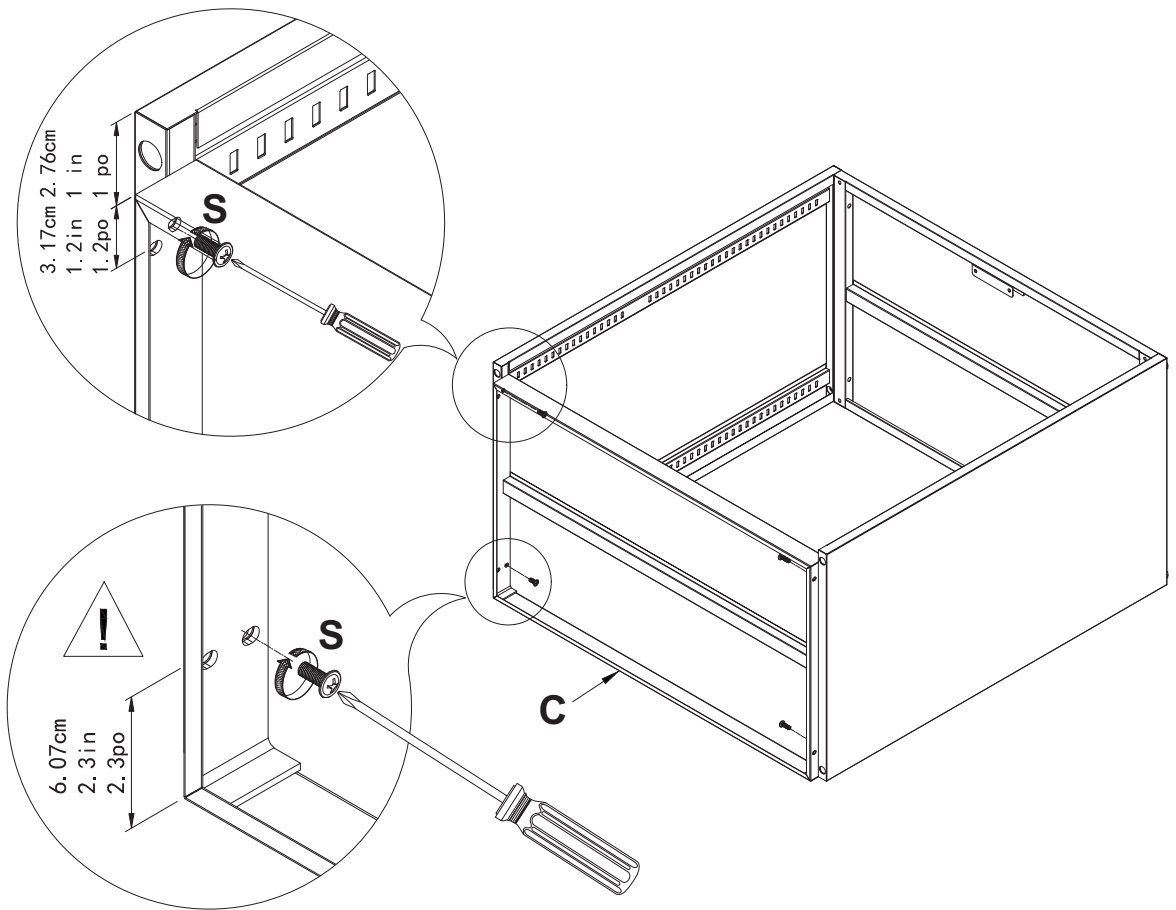
# 2



**C** x 1



**S** x 4



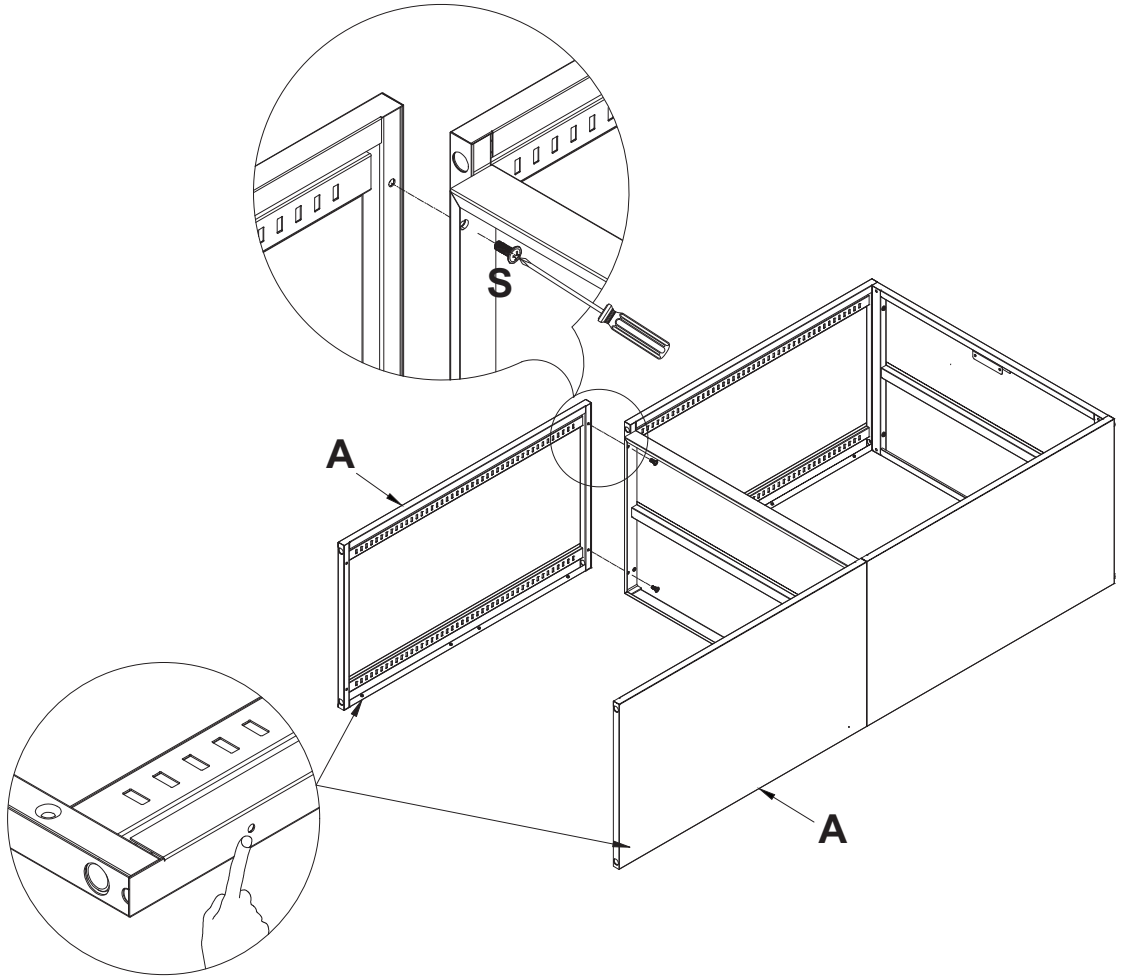
3



A x 2



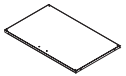
S x 4



4



R x 4



D x 1



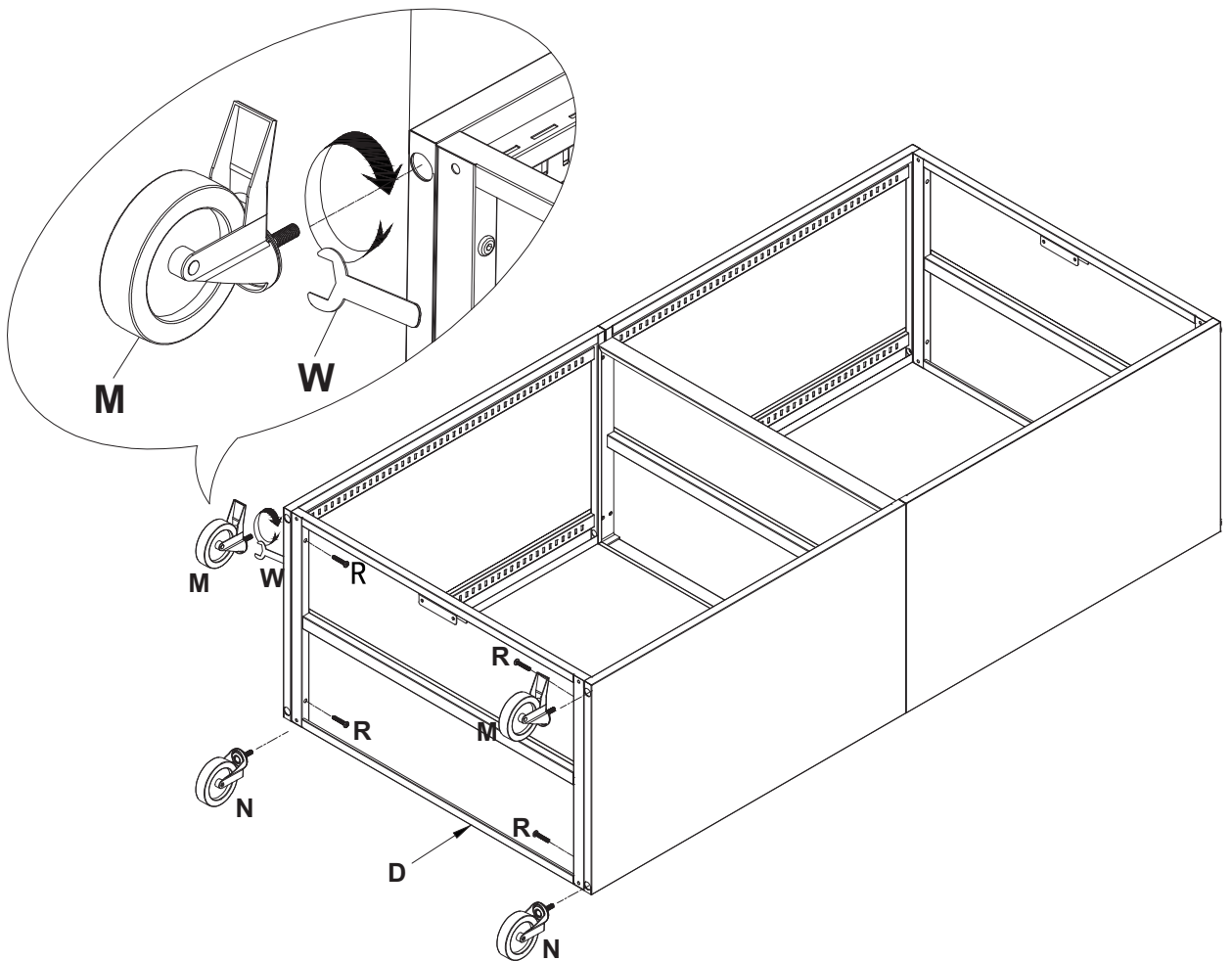
N x 2



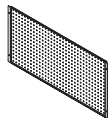
M x 2



W x 1



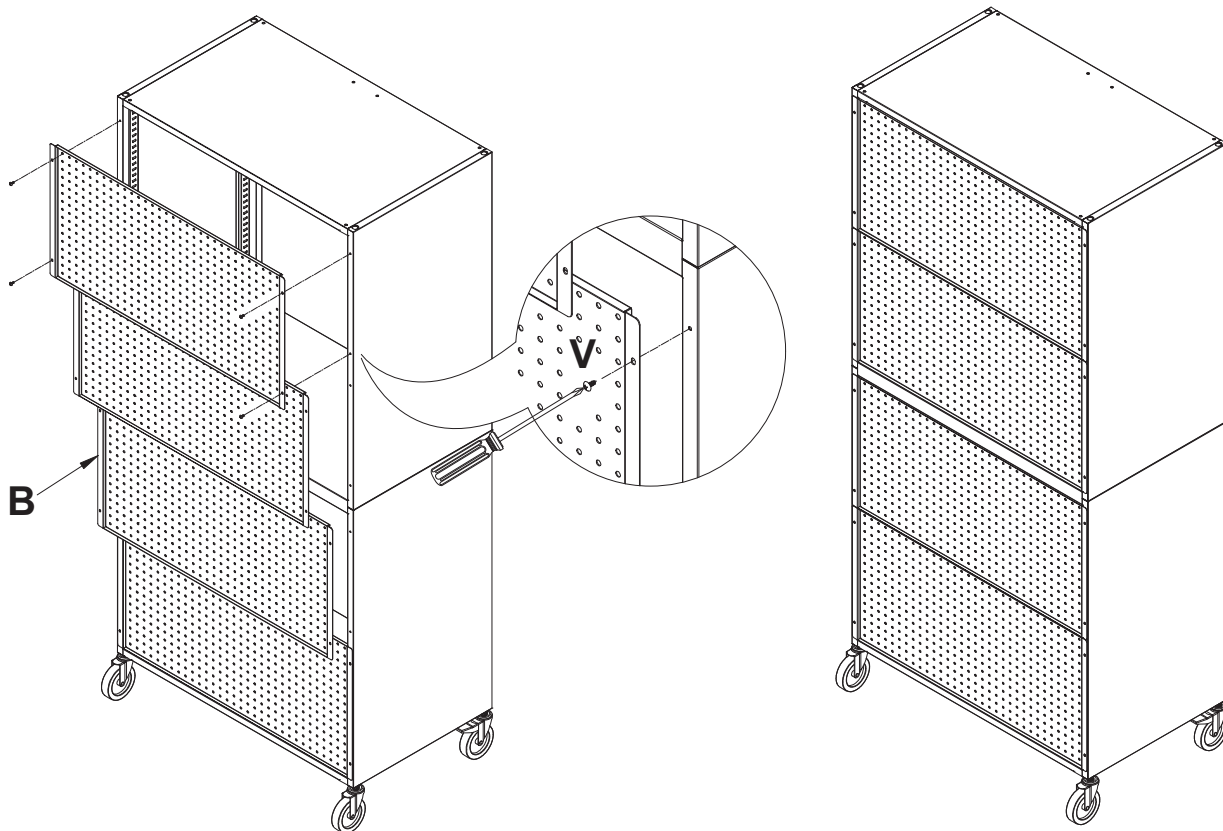
5



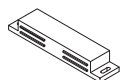
B x 4



V x 16



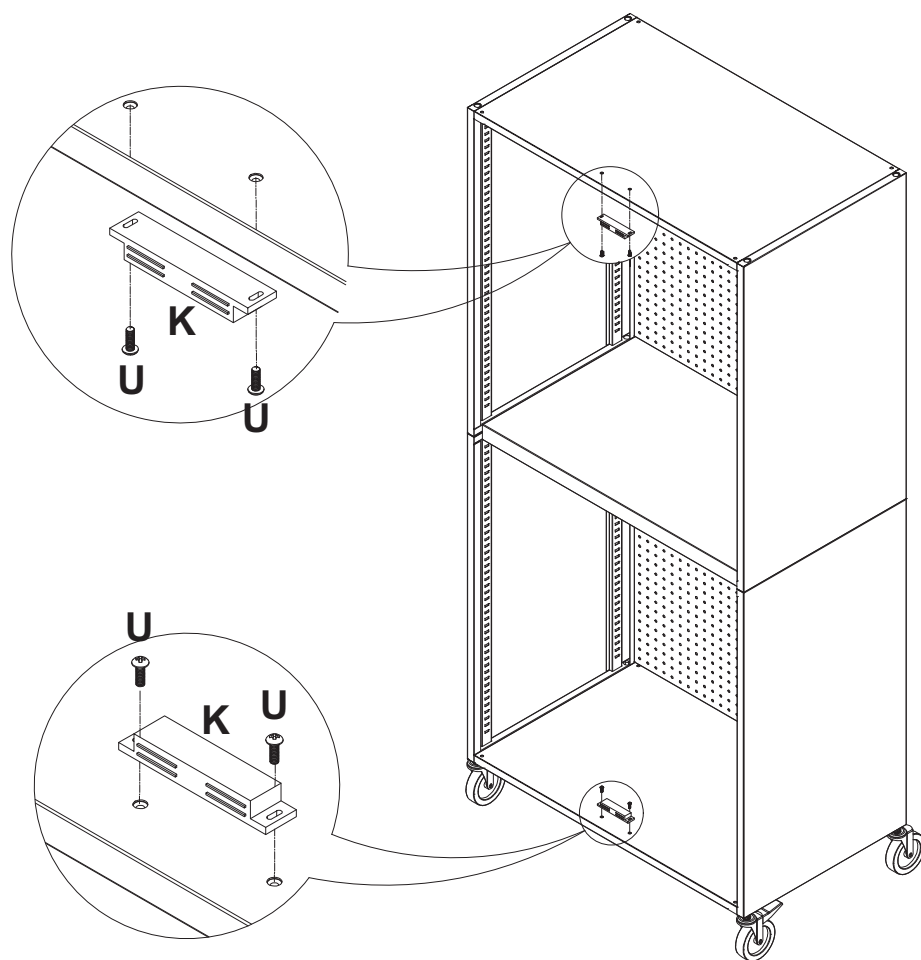
6



K x 2



U x 4



7



F x 1



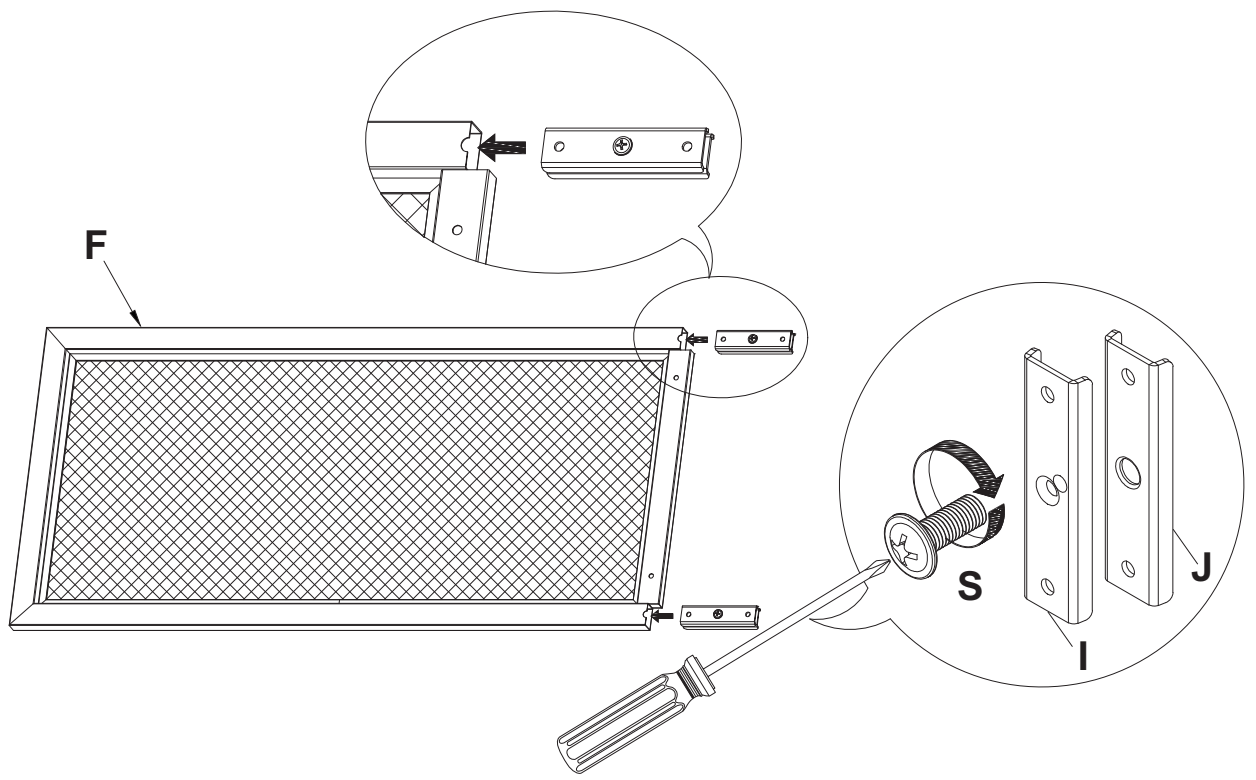
I x 2



J x 2



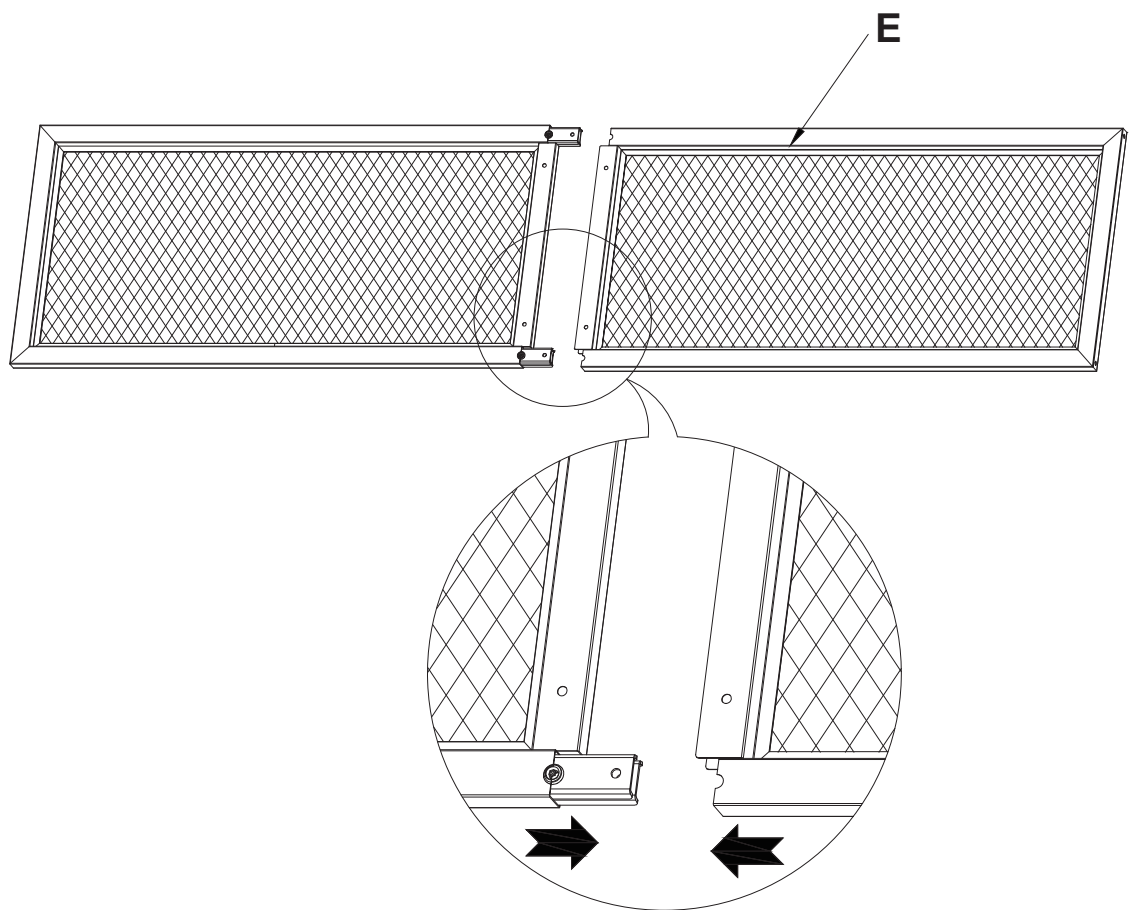
S x 2



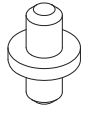
8



E x 1



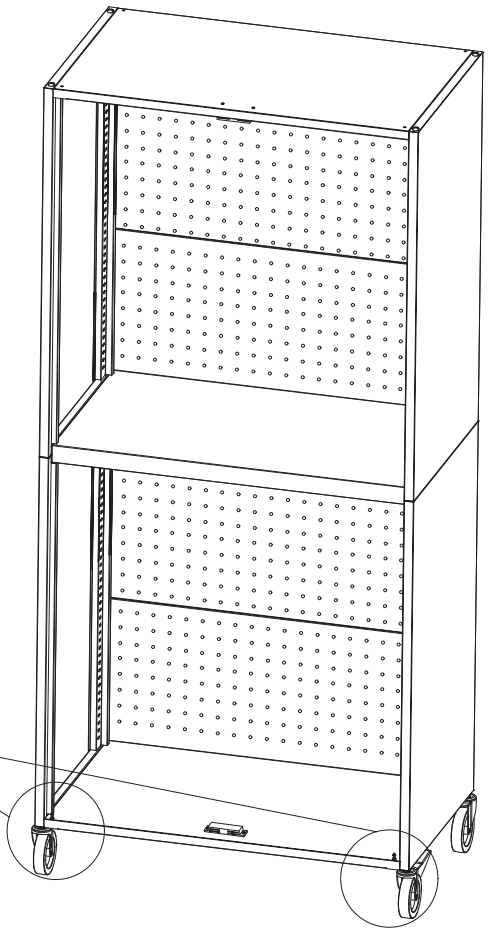
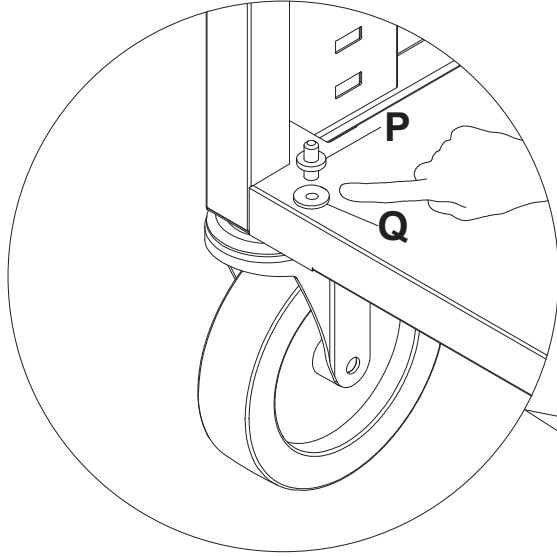
9



P x2



Q x2



10



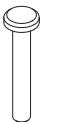
O x2



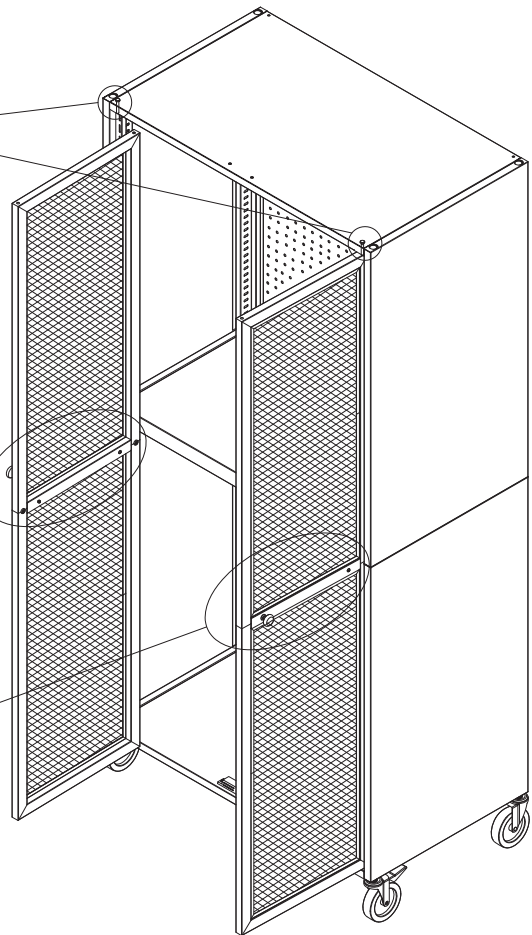
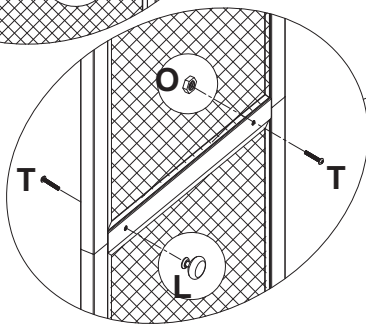
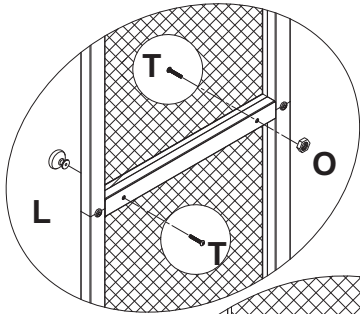
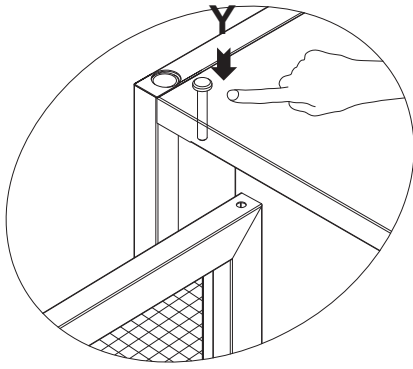
L x2



T x4



Y x2

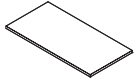




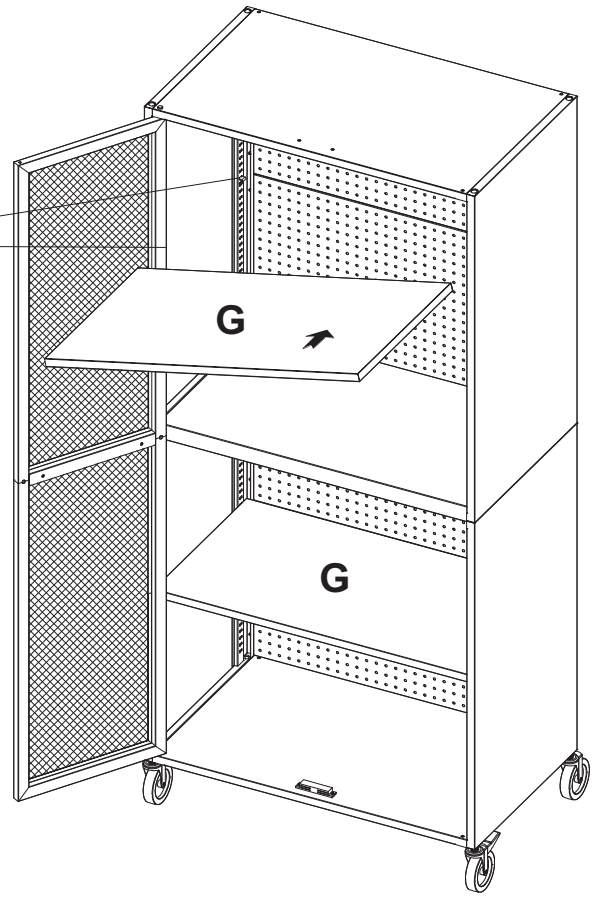
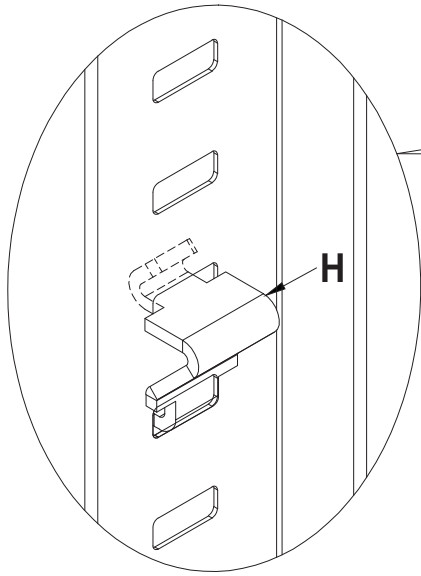
11



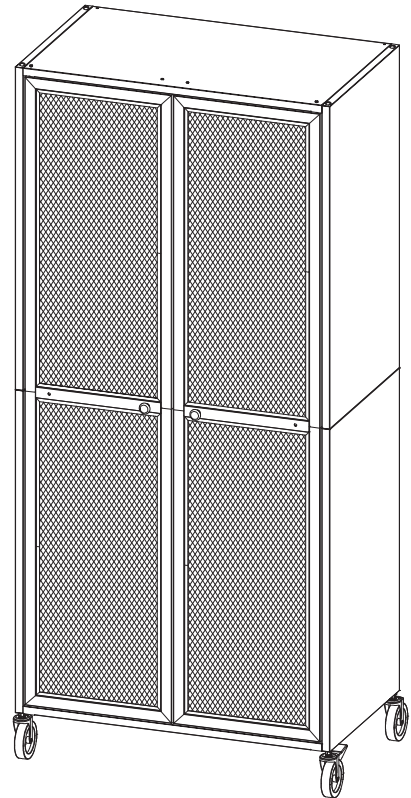
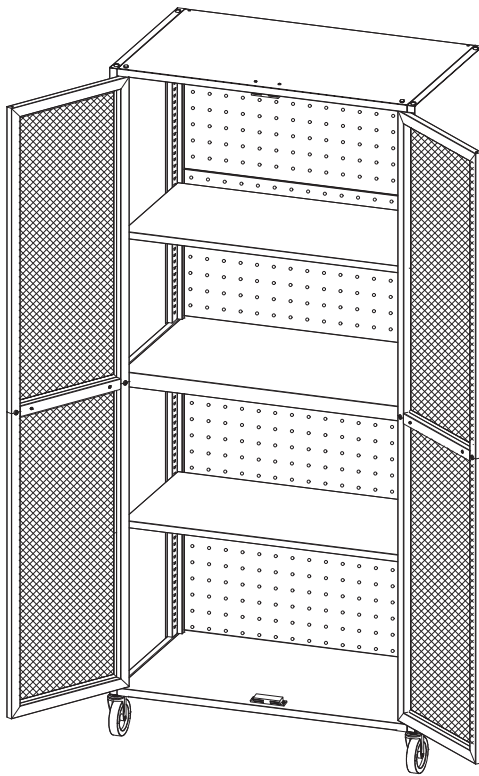
H x 8



G x 2



12



Max weight capacity 45.3 kg / 100 lb per shelf  
每層層架最大負重45.3 kg

Distributed by:  
Costco Wholesale Corporation  
P.O. Box 34535  
Seattle, WA 98124-1535  
USA  
1-800-774-2678  
www.costco.com

Costco Wholesale Canada Ltd.\*  
415 W. Hunt Club Road  
Ottawa, Ontario  
K2E 1C5, Canada  
1-800-463-3783  
www.costco.ca

\* faisant affaire au Québec sous  
le nom les Entrepôts Costco

Importado por:  
Importadora Primex S.A. de C.V.  
Blvd. Magnocentro No. 4  
San Fernando La Herradura  
Huixquilucan, Estado de México  
C.P. 52765  
RFC: IPR-930907-S70  
(55)-5246-5500  
www.costco.com.mx

Costco Wholesale Australia Pty Ltd  
17-21 Parramatta Road  
Lidcombe NSW 2141  
Australia  
www.costco.com.au

Costco Wholesale UK Ltd /  
Costco Online UK Ltd  
Hartspring Lane  
Watford, Herts  
WD25 8JS  
United Kingdom  
01923 213113  
www.costco.co.uk

Costco Wholesale Spain S.L.U.  
Polígono Empresarial Los Gavilanes  
C/ Agustín de Betancourt, 17  
28906 Getafe (Madrid) España  
NIF: B86509460  
900 111 155  
www.costco.es

Costco Wholesale Korea, Ltd.  
40, Iljik-ro  
Gwangmyeong-si  
Gyeonggi-do, 14347, Korea  
1899-9900  
www.costco.co.kr

進口商/委託製造廠商:  
好多市股份有限公司  
高雄市中華五路656號  
統一編號: 96972798  
449-9909 02-449-9909  
www.costco.com.tw

Shanghai Minhang Costco Trading Co.,Ltd  
No.235 ZhuJian Road  
Minhang District, Shanghai  
China 201106  
+86-21-6257-7065

Costco Wholesale Iceland ehf.  
Kauptún 3-7, 210 Gardabaer  
Iceland  
www.costco.is

Costco France  
1 avenue de Bréhat  
91140 Villebon-sur-Yvette  
France  
01 80 45 01 10  
www.costco.fr

Costco Wholesale Japan Ltd.  
3-1-4 Ikegami-Shincho  
Kawasaki-ku, Kawasaki-shi,  
Kanagawa 210-0832 Japan  
0570-032600  
www.costco.co.jp

Designa Inc  
No 10 Lexin Avenue, Leping,  
Sanshui District, Foshan City,  
Guangdong Province  
China 528137  
(+86)757-86402026

● Customer Service: 1-844-416-2090  
Monday to Friday, 9:00 am to 5:00 pm, Central Standard Time (English)

● 服務熱線: 1-844-416-2090  
營業時間: 週一至週五 早上9:00 到下午5:00 北美中部標準時間 (語言: 英語)