

BEFORE YOU BEGIN

- Observe all local plumbing and building codes.
- Prior to installation, unpack the new lavatory and inspect it for damage. Return the lavatory to its protective carton until you are ready to install it.
- All information in these instructions are based the latest product information available at the time of publication. Kohler China reserves the right to make changes in product characteristics, packaging, or availability at any time without notice.
- Fixture dimensions are nominal and conform to tolerances established by ASME Standards (A112.19.2-2013).
- The product complies with GB 6952-2015.

IMPORTANT: Make sure that the wall and floor are square and plumb to ensure proper installation.

安裝之前

- 遵守當地所有給排水及建築規定。
- 安裝之前先開啟新面盆的包裝，檢查有無破損後放回紙箱中以免碰壞，到準備安裝時才取用。
- 本說明書所含一切資料，均以印刷時所有的最新產品為準。科勒公司保留隨時更改產品特性，包裝或供應情況的權利，恕不另行通知。
- 部件尺寸為標定值，誤差符合美國ASME標準(A112.19.2-2013)。
- 本產品符合GB 6952-2015。

注意：牆壁和地板必須方正、平整和水平。

ORDERING INFORMATION

FlexiSpace Vanity 600mm.....K-96110T-1

訂購資訊

玲納一體化面盆600mm.....K-96110T-1

REQUIRED MATERIALS/TOOLS (NOT SUPPLIED)

- Level
- Drill with 6mm bit
- 14mm wrench
- Framing square
- Channel lock pliers
- Tape measure
- Pencil

所需工具和材料 (不隨貨供應)

- 水平尺
- 帶6mm鑽頭的電錘鑽
- 14mm扳鉗
- 定位直尺
- 鎖鉗
- 捲尺
- 鉛筆

No.2 KOHLER ROAD, SANSHUI CENTRAL INDUSTRIAL PARK, LEPING TOWN, SANSHUI DIST., FOSHAN, GUANGDONG, PRC POST CODE 528137
廣東省佛山市三水區樂平鎮三水中心工業園區科勒大道2號 郵編：528137

8# MENGSHAN RD, ECONOMIC DEVELOPMENT ZONE OF HUANTAI, ZIBO, SHANDONG, CHINA POST CODE: 256410
山東省淄博市桓台經濟開發區蒙山路8號 郵編：256410

ROUGHING-IN

尺寸圖

Reference Value
參考值

UNIT: mm
單位：毫米

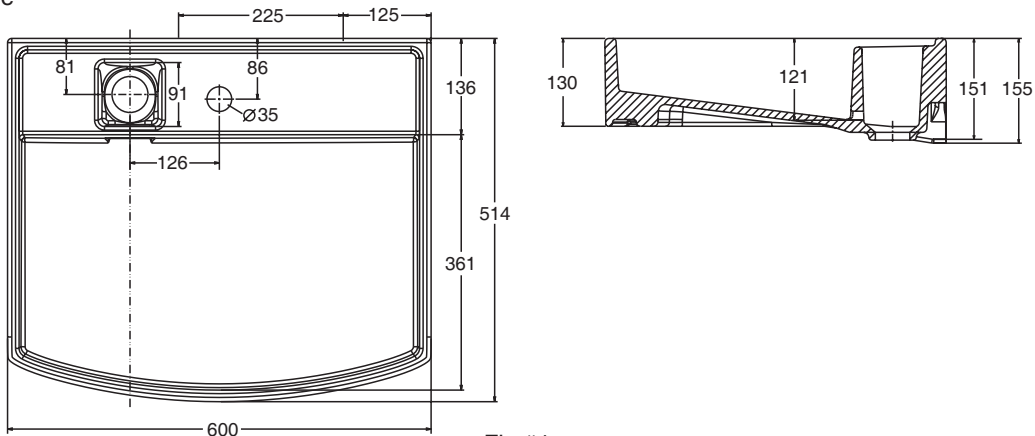


Fig.#1
圖1

Kohler reserves the right to change marked dimensions without prior notice.
科勒公司保留隨時變更圖中標示尺寸的權利，無需另行通知。

INSTALLATION

安裝

Install the Basin

Note! The lavatory tops must be installed on a cabinet (refer to Installation and User Guide packed with the cabinet for installation details).

- Recommend Kohler bathroom furniture for support or decoration.
- Rough-in the supplies and the drain piping.

NOTE: The supply stop handles cannot extend more than 76mm from the finish wall when in the open position.

- Drill two 10mm hanger bolt holes at the marks on the wall. The nylon anchors is needed for concrete wall (supplied).
- Mount hanger bolts to the wall so approximately 65-75mm of each bolt remains exposed.

- NOTE:**
1. The distance between drain center and wall is 81mm. Please use drain pipe of proper length.
 2. Height dimensions marked in fig. 2 and fig. 3 could be adjusted per your the vanity height of the console leg.
 3. Other fastening devices of sufficient size and strength may also be used.

安裝面盆

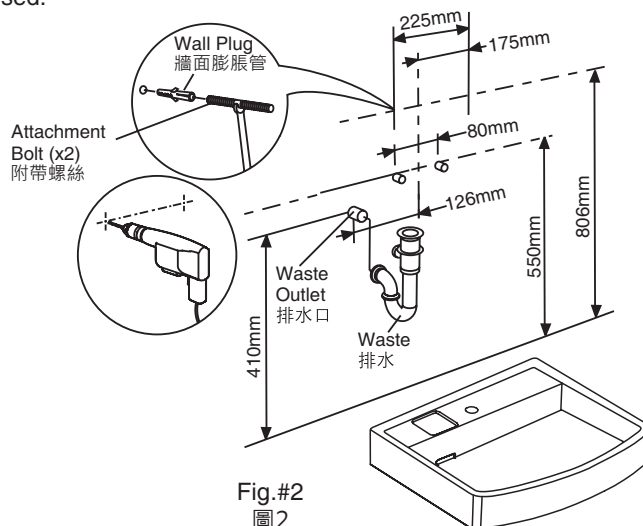
注意：此臉盆必須裝在浴櫃上。(參考附在浴櫃內的安裝說明獲取安裝訊息。)

- 推薦使用科勒浴室家具作為支撐和裝飾。
- 畫出供水及排水管道及閥門的輪廓線。

注意：供水開關手柄在打開位置時，距離完工牆面不得超過76mm。

- 在牆上標記處鑽兩個10mm的懸掛螺栓孔。水泥牆面則需要塑膠膨脹桿(隨貨提供)。
- 將懸掛螺栓安裝在牆上，並使每個螺栓保持外露約65-75mm。

- 注意：**
1. 面盆排水口中心到牆面距離為81mm，請選用合適的排水管。
 2. 圖2和圖3高度方向尺寸可根據浴櫃的實際高度適當調整。
 3. 也可使用其他具有足夠尺寸及強度的緊固裝置。



- Install the faucet and drain to the lavatory according to the manufacture's instructions.
- Put the sealant around the back wall attached surface of the lav evenly.
- Carefully place the lavatory against the wall, so the hanger bolts extend through the lavatory holes.
- Level the lavatory.
- Install the cap nuts and washers, and tighten until snug.

- 按照製造商之要求，將水龍頭及下水管道安裝在洗面盆上。
- 在洗面盆靠牆面的四周，均勻地圖上密封膠。
- 小心地將洗面盆依牆放置，使懸掛螺栓穿過洗面盆的孔。
- 調平洗面盆。
- 安上螺母及墊圈，擰緊。

⚠ CAUTION: Risk of product damage. Do not overtighten the cap nuts. Overtightening may cause damage to the product.

⚠ 小心！ 不要把螺帽過分擰緊，否則可能損壞產品。

- Clean the lavatory top.

- 清潔面盆台面。



Fig.#3
圖3

Install the Free Drain

安裝巧易潔

1. Install drain.
 - ① Install free drain into the mounting hole of the lavatory. Tighten the nut.
 - ② Keep the spring valve core closed(shortened) and put it into the drain.

1. 安裝落水器
 - ① 將巧易潔落水器部分放置到台盆安裝孔，鎖緊螺母。
 - ② 將彈跳閥芯處於關閉(縮短)狀態，放置到落水器中。

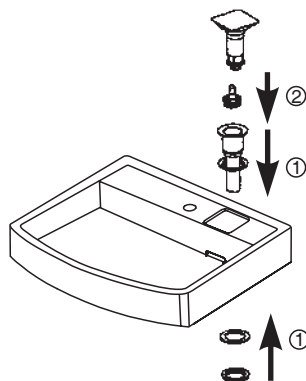


Fig.#4
圖4

2. Install button.

As shown in Fig.5, rotate adjusting pipe to a proper height. Place the button in place and fix it to against the spring valve core. After installation, in case the height is not suitable, take out it, readjust and reinstall. After installation, the top of the button shall be almost level (0~1mm) with lavatory top.

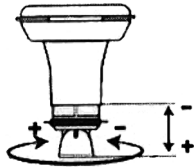


Fig.#5
圖5

2. 安裝按壓器

圖5·旋轉調節管·調到一個合適高度·將按壓器放入安裝位·向下按壓安裝·頂住彈跳閥芯·安裝好之後·如高度偏差過大·取出按壓器·重新調整高度·再安裝·最終使按壓器的上表面和台盆的陶瓷面基本齊平(0~1mm)。

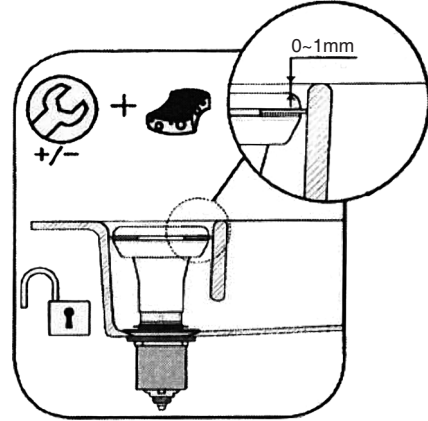


Fig.#6
圖6

Install the Plumbing

1. Install the drain in accordance with the manufacturer's instructions.

NOTE: The distance between drain center and wall is 81mm. Please use drain pipe of proper length.

Caution! Make sure a watertight seal exists on all basin drain connections.

Caution! Provide access to the plumbing connections for future plumbing maintenance.

- 2. Connect the hot and cold water supplies.
- 3. Open the hot and cold water valves, and check the supply connections for leaks.
- 4. Run water into the basin, and check the drain connections for leaks.

安裝管道

1. 根據製造商安裝說明安裝落水。

注意：面盆排水口中芯到牆面距離為81mm·請選用合適的排水管。

警告！ 確保在面盆所有的排水連接處有防水密封。

警告！ 提供管道連接檢修門以便日後管道維護。

- 2. 連接冷熱供水。
- 3. 打開冷熱水閥·檢查供水連接是否漏水。
- 4. 向面盆中注水·檢查排水連接是否漏水。

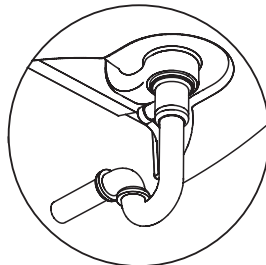


Fig.#7
圖7

FREE DRAIN USAGE

巧易潔使用方式

- Lightly press the free drain to the bottom and then release. Close/open free drain to fill/empty the lavatory.
- 向下輕按到底後釋放，關閉/打開落水器，進行儲水/排水操作。

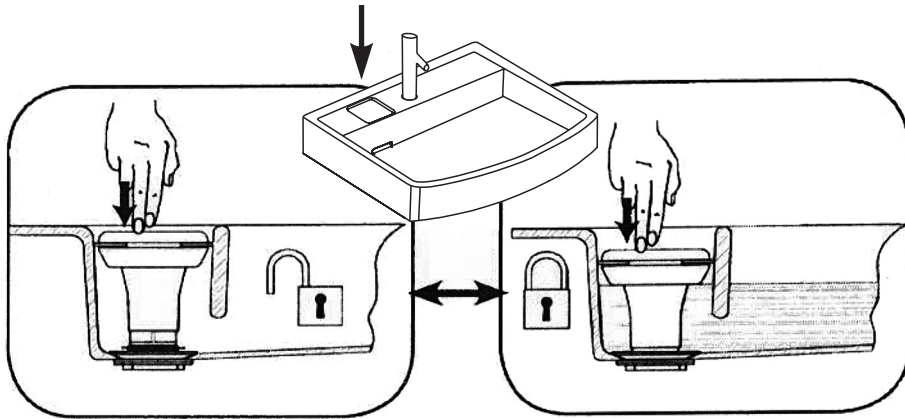


Fig.#8
圖8

FREE DRAIN CLEANING

巧易潔清潔方式

- When the free drain is closed, press it and release, free drain will pop out. Take out the button and the filter for cleaning. The filter can be removed separately for further cleaning.
- 在巧易潔處於關閉狀態下，稍用力按壓釋放，巧易潔會彈出。取出巧易潔按壓器，清潔按壓器。再取出濾網閥芯，對濾網進行清潔。更可以旋下濾網，進一步清潔濾網。

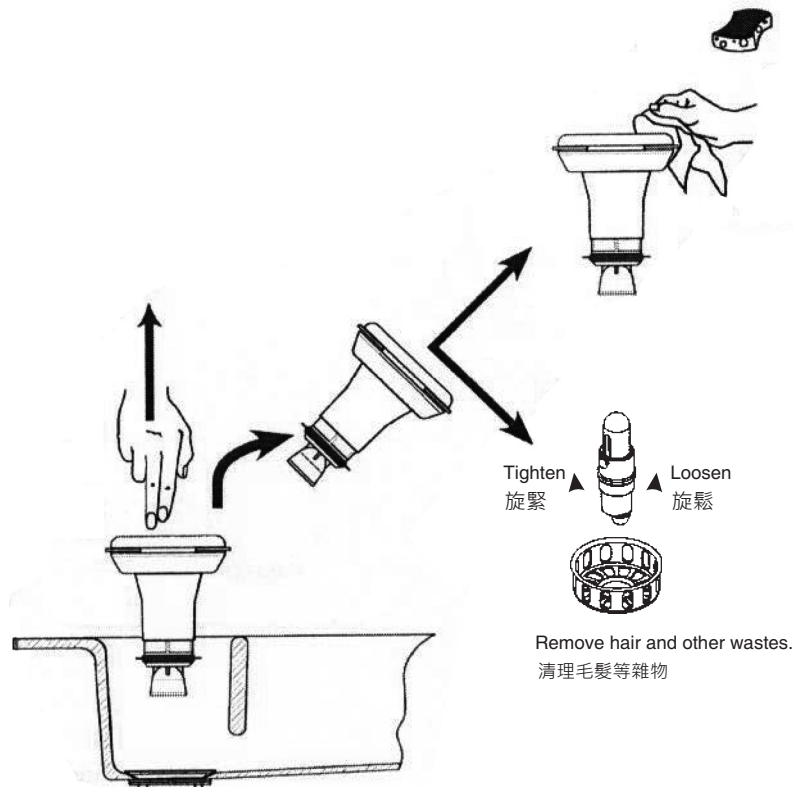


Fig.#9
圖9

TROUBLESHOOTING

巧易潔故障排除方法

Symptom	Action
1. The free drain is not level with the lavatory.	1. Take the button out, rotate the adjusting pipe to a proper height.
2. Water drains too slowly.	2. Take out the button and clean the filter.
3. Button cannot be easily taken out.	3. Do not press with force. Please remove it with thin tools. Adjust the free drain slightly higher for reinstallation.
4. Button easily pop out when filling or draining the lavatory.	4. Adjust the free drain slightly lower for installation.

現象	處理方法
1. 巧易潔安裝好之後與台盆面落差過大。	1. 取出按壓器，旋轉調節管，調整高度。
2. 排水速度過慢。	2. 巧易潔過濾網需清理，取出按壓器，清理過濾網。
3. 多次操作，按壓器仍不易取出。	3. 請勿繼續用力按壓，請借助片狀工具，輕輕撬開，取出按壓器。再次安裝時，旋轉調節管，稍調高巧易潔進行安裝。
4. 當正常使用按壓器進行排水儲水操作時，按壓器極易跳出。	4. 請旋轉調節管，稍調低巧易潔進行安裝。

IMPORTANT CONSUMER INFORMATION

用戶須知

CARE AND CLEANING

⚠ Caution! Risk of product damage.

Many cleaners contain abrasive and chemical substances, and should not be used for cleaning stainless steel, enamel, plated or plastic fittings.

These finishes should be cleaned using a mild washing up detergent or soap solution, rinsed and then wiped dry with a soft clean cloth.

To keep your lavatory looking new, make sure you rinse it out thoroughly after each use. **DO NOT USE ABRASIVES** on this product, as they will scratch and ruin the surface. Stubborn stains, paint, or tar can be removed with turpentine or paint thinner.

Do not use the product in the water below 0°C.

⚠ **CAUTION:** Please do not use hard materials (like scouring pad) to clean product surface, especially the product logo.

護理及清潔

⚠ 警告！有產品損壞的危險。

許多清潔劑都含有研磨劑及化學物質，不可用於清潔不鏽鋼、陶瓷、鍍層或塑膠部件。

這些部件應用溫和的清潔劑或皂液進行清潔，將殘餘洗滌劑洗乾淨，然後用乾淨的軟布擦乾。

為保持面盆光潔如新，須確保每次使用後徹底沖洗乾淨，切勿使用腐蝕性的清潔劑，以免刮花及破壞面盆的表面。要清除頑固污垢、油漆或柏油，可使用松油或油漆稀釋劑。

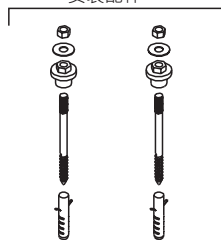
不要在0°C 以下的水環境中使用。

⚠ 警告：請勿使用鋼絲球等硬質材料擦洗產品表面，特別是產品商標處。

SERVICE PARTS

維修零件

1034692
Assy. Pack
安裝配件



1249543-CP
Free Drain, Assy

