

BEFORE YOU BEGIN

- Please read these instructions carefully to familiarize yourself with the required tools, materials, and installation sequences. Follow the sections that pertain to your particular installation. This will help you avoid costly mistakes. In addition to proper installation, read all operating and safety instructions.
- All information in these instructions is based upon the latest product information available at the time of publication. Kohler China reserves the right to make changes in product characteristics, packaging, or availability at any time without notice.
- These instructions contain important care, cleaning, and warranty information—**please leave instructions for the consumer.**
- FlexiSpace cabinet adopts E1 grade wood-based panel of high quality, and with further processing, its harmful emissions will be less than 1.5mg/L.
- Turn off the water supply.
- The plumbing installation must comply with Water Supply Regulations/Bye-laws, Building Regulations or any particular regulations and practices, specified by the local water company or water undertakers. The installation should be carried out by a plumber.
- Before installation carefully inspect the new fixture for any signs of damage.
- This product complies with GB 24977-2010.

安裝之前

- 請仔細詳閱本指引，以便熟悉所需工具、物料及安裝程序。請遵照適用的章節來安裝本產品，以免安裝失當導致不必要的損失。除了有關正確的安裝方法之外，還務請詳閱所有操作及安全指引。
- 本指引所載之一切資料，均以印刷時所有之最新產品情況為基礎，科勒保留權利隨時更改產品特性、包裝或供應情況，恕不另行通知。安裝家具之前，請先確認所有必需的電氣工作均已完成。
- 本指引也包含了有關保養、清潔及擔保等重要資料，請交與用戶保存。
- 玲納浴室櫃選用E1級優質飾面人造板精心加工而成，其有害氣體釋放量少於1.5mg/L。
- 關閉供水。
- 管道安裝必須遵循當地所有給排水、建築或者其他的特別規定。管道安裝人員必須具備相應資格。
- 安裝之前，仔細檢查新產品是否有損傷。
- 本產品符合GB 24977-2010。

ORDERING INFORMATION

This installation covers the following products in the FlexiSpace range:

FlexiSpace Cabinet 570mm.....K-75836T

訂購資訊

此安裝說明書適用於以下玲納家具的安裝：

玲納 570mm浴室櫃.....K-75836T

SAFETY WARNINGS

Kohler products are precision-engineered and should give continued superior and safe performance, provided:

1. They are installed, commissioned, operated and maintained in accordance with the recommendations given in this Manual.
2. Periodic attention is given, as necessary, to maintain the product in good functional order. Recommended guidelines are given in the **MAINTENANCE** section.

Carefully inspect the new fixture for any signs of damage.

When installing Kohler Products, manufacturers guidelines for power tool safety should be followed.

安全警告

科勒產品經過精確製造，性能卓越，經久耐用。為保證產品品質，您必須：

1. 按照此手冊中推薦的方法進行安裝、操作及維護。
2. 如有需要，定期檢查，令產品保持良好性能狀態。日常維護章節中列有推薦方法。

仔細檢查新產品是否有損傷。

在安裝科勒產品時，必須遵循製造商相關電動工具的安全的指令。

Reference
參考值

UNIT : mm
單位：毫米

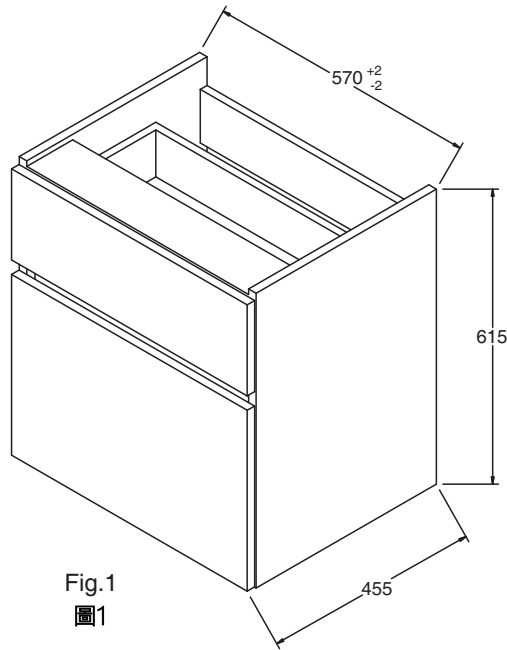


Fig.1
圖1

K-75836T
FlexiSpace cabinet 570mm
玲納570mm浴室櫃

Kohler reserves the right to change marked dimensions without prior notice.
科勒公司保留隨時變更圖中標示尺寸的權利，無須另行通知。

INSTALLATION

安裝

A. Install Washbasin Cabinet

A. 安裝面盆櫃

Install the services.
Hot (H) and Cold (C) inlets must be connected to the correct inlet pipes.
Install the drain in accordance with the manufacturer's instructions.
We suggest using P-trap drain. Connect P-trap pipe with washbasin drain.

安裝管道
熱水(H)及冷水(C)入口必須連接置正確的進水管。

根據製造商說明書安裝排水。

我們建議採用牆排水方式，使用P彎管連接面盆排水。

Caution! Make sure a watertight seal exists on all washbasin drain connections.

小心！ 請確保所有面盆排水的連接處都裝有防水密封圈。

Caution! Provide access to the plumbing connections for future plumbing maintenance.

小心！ 管道連接處需留有檢修空間，以備日後管道維護之用。

The hot and cold water supplies must be installed with isolating valves.

注意！安裝冷熱供水管時必須使用隔離閥。

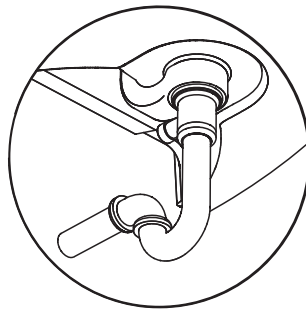


Fig.2
圖2

1. Mark the position of hanged bracket and wall bolt according to dimensions as illustrated, and loosen the suspension hook of washbasin cabinet.

1. 根據圖示尺寸在牆壁上標示出掛牆托片和配套面盆懸掛螺栓的位置，並將面盆櫃吊碼的掛鉤伸長。

Caution! Avoid the cables and pipes inner set when drilling in the wall.

小心! 在牆壁上鑽孔時請務必小心避開內設的纜線和管道。

Note: Different types of bolts are required for different decoration boards. Please apply suitable bolts and plugs.

注意：不同的裝飾牆面需要不同型號的螺釘。請使用合適的螺釘和入牆膠塞。

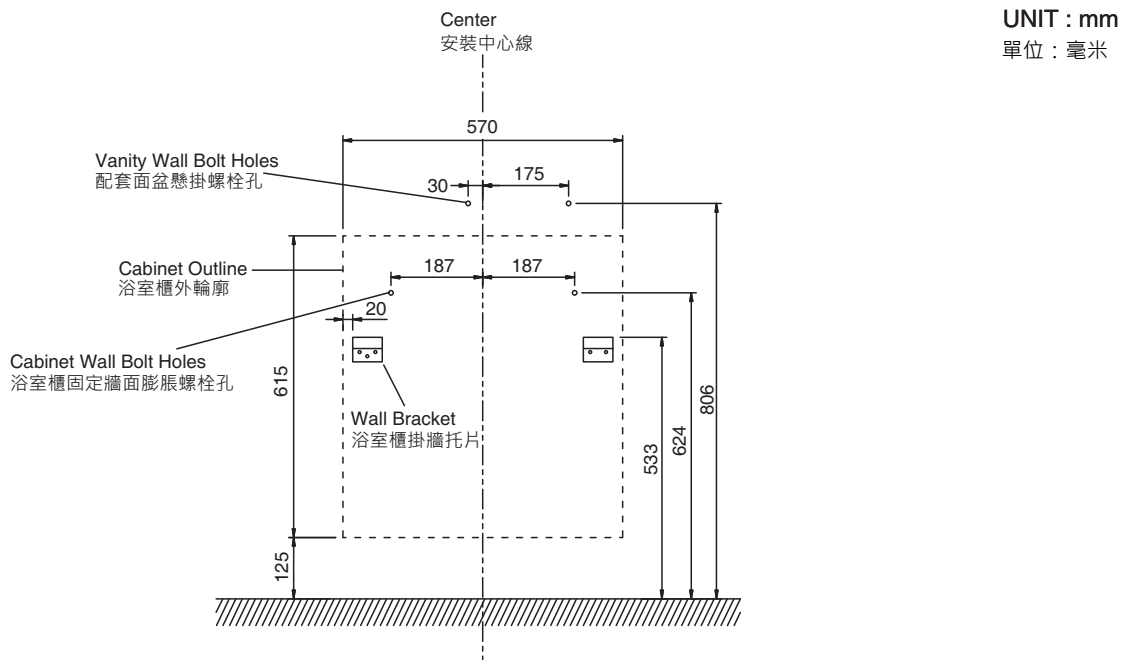


Fig.3
圖3

2. Drill holes for fixing the bracket and bolt. Using a level to ensure that the hanged bracket is level.

2. 鑽好掛牆托片櫃體固定孔及面盆懸掛螺栓的安裝孔。使用水平儀檢查，確保掛牆托片水平。

3. Use suitable plugs and bolts, and fix the bracket and bolt on the wall. Fix the bolts supplied with the vanity on the wall. Each bolt shall be 65-75mm out of the wall.

3. 使用合適的入牆膠塞和螺釘，將掛牆托片和櫃體固定膨脹管固定在牆上。配套面盆配件中的懸掛螺栓也固定在牆上，並依照面盆說明書要求使每個螺栓保持外露約65-75mm。

4. Apply silicone sealant onto the contact surface of the cabinet and vanity. Wait for the sealant to cure. (Install adjustable feet first if needed.)

4. 將櫃體與台盆接觸的部位用矽利康槍均勻地塗上矽利康，待矽利康乾。(如需要安裝腳柱，請按腳柱說明書先裝腳柱再裝面盆。)

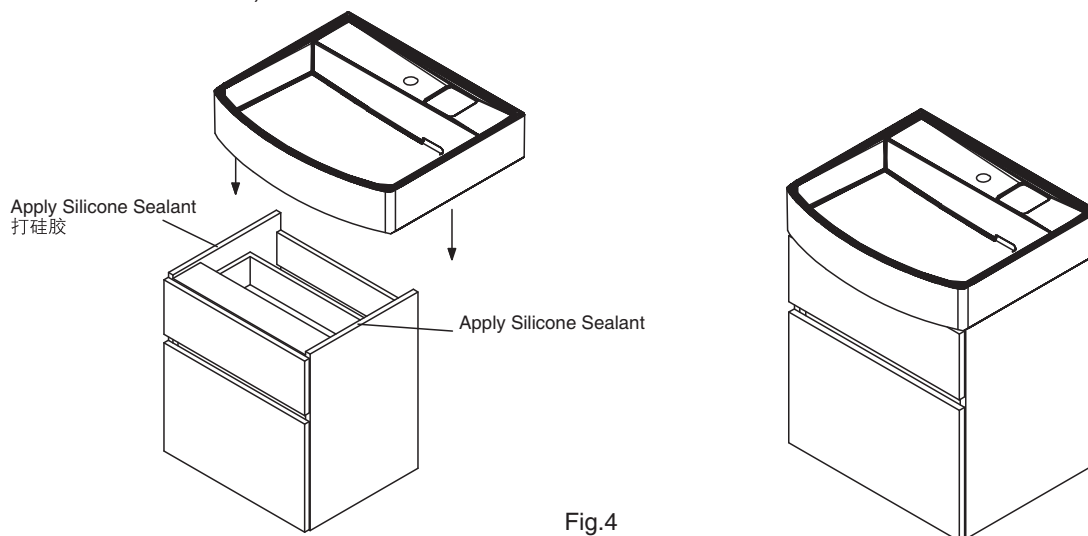


Fig.4
圖4

5. Fix faucet and drain according to their installation instructions.

5. 按照龍頭和落水的製造商的安裝說明安裝龍頭和落水。

6. Fix onto wall.

6. 與牆面固定

- a. Lift the cabinet and vanity by two people. Align the vanity hanging hole with the bolts on the wall. Make the bolts through the vanity hanging hole.
- b. Hang the two back wall clips onto the pre-fixed bracket on the wall.

- a. 由兩人稍稍抬起櫃體和面盆，先將面盆懸掛孔對準牆面預先打好的面盆懸掛螺栓，使螺栓穿過面盆孔。
- b. 將櫃體後部的2個掛勾掛在牆面預先安裝好的托牆掛片上。

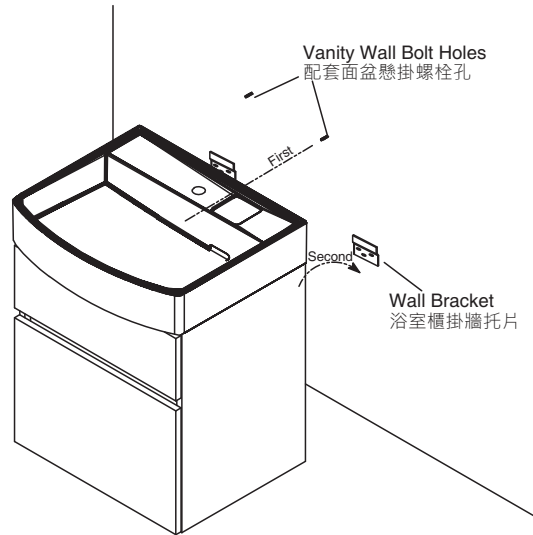


Fig.5
圖5

c. Adjust the cabinet and vanity level. Put the cabinet against the wall by adjusting the screws of wall clips.

c. 將浴室櫃和面盆調節到水平狀態，調節吊碼的螺釘，使浴室櫃背板緊貼牆壁。

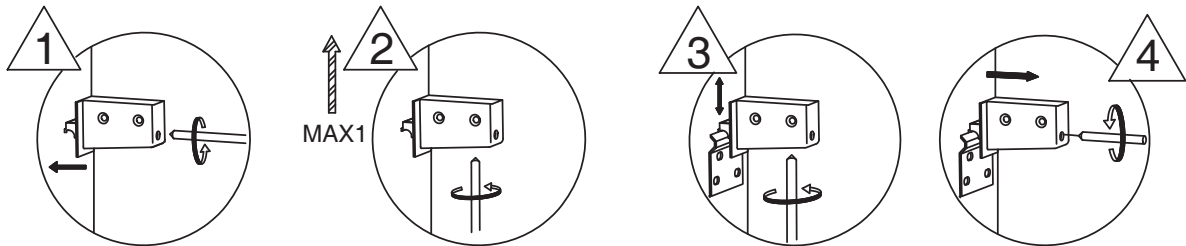


Fig.6
圖6

d. Fix the cabinet and vanity again with the bolts according to pre-drilled cabinet fixing holes on the wall.

d. 按照牆上預先打好的櫃體固定孔將櫃體與牆面再次使用膨脹螺桿固定。

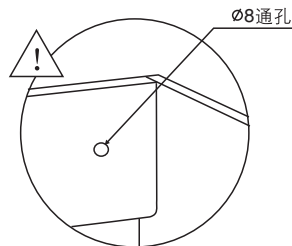


Fig.7
圖7

e. Open the cabinet door and the drawer. Fix the bolt according the vanity installation instructions. Before that , please apply silicone sealant onto the contact surface of the vanity and the wall.

e. 將櫃體的門和抽屜打開，按照面盆說明書固定懸掛螺栓。固定前用矽利康槍在面盆與牆面接觸面均勻塗上矽利康。

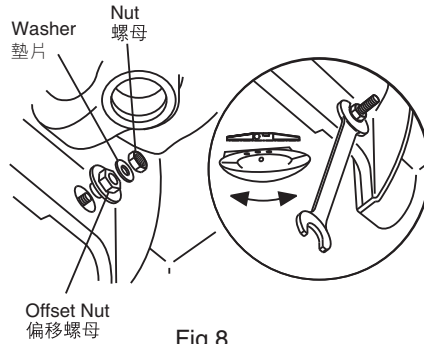


Fig.8
圖8

7. Connect water pipe and drain by professionals to ensure there is no leakage.

7. 由專業人員連接安裝上下水，確保無滲漏。

Note: Different types of bolts are required for different decoration boards. Please apply suitable bolts and plugs.

注意: 不同的裝飾牆面需要不同型號的螺釘。請使用合適的螺釘和入牆膠塞。

Connect Drainage

連接排水管

a. Inwall drainage (P-Trap)
Please install the drain assembly and faucet as shown. Please set the water supply and drainage position according to the suppliers instructions. You can put the pipe into the U Notch.

a. 入牆式排水管(P彎管)
請按照如圖所示安裝排水管和龍頭。請遵照供應商所提供的說明在牆上設置進/排水管位置。您可以把彎管放入U形缺口。

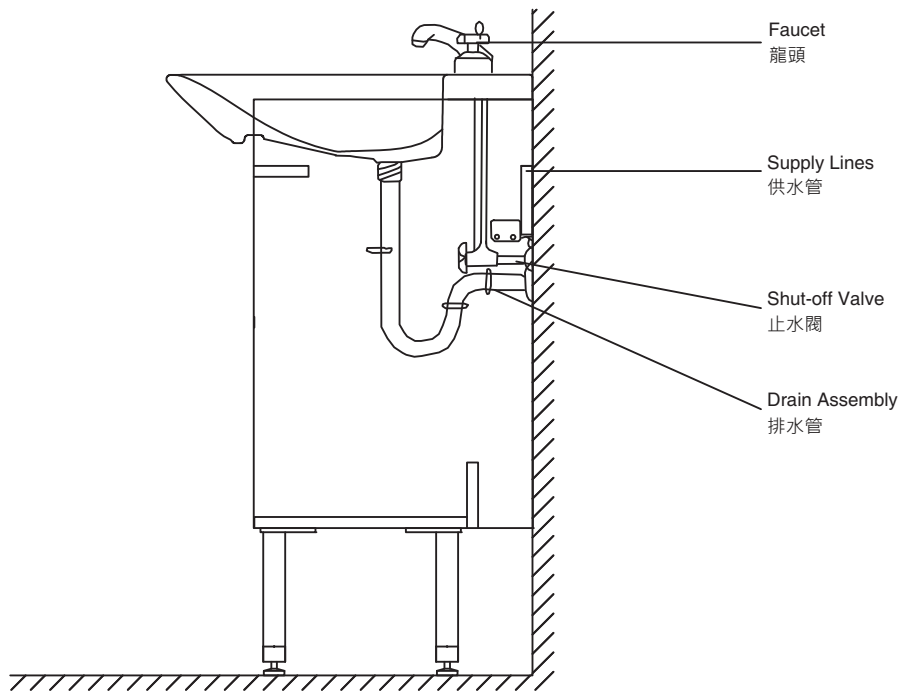


Fig.9
圖9

b. Floor drainage (S-Trap)

Please install the drain assembly and faucet as shown. Please set the water supply and drainage position according to the suppliers instructions. You can put the pipe into the U Notch.

b. 地排水(S彎管)

請按照如圖所示安裝排水管和龍頭。請遵照供應商所提供的說明設進水管位置。您可以把彎管放入U形缺口。

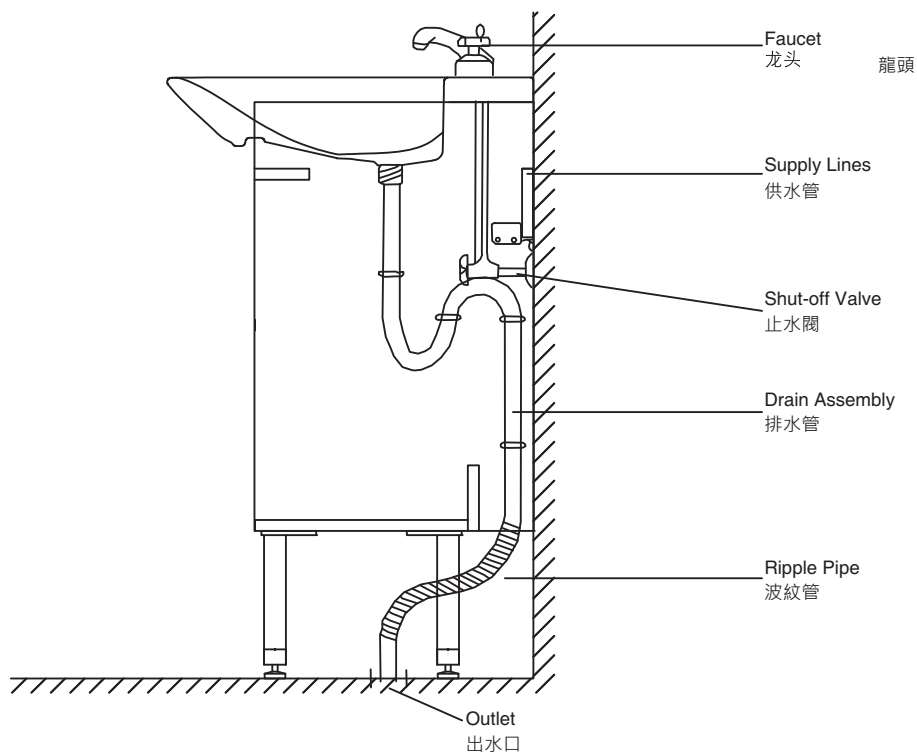


Fig.10
圖10

8. Adjust the cabinet.

- a. Place the hinge cover and plastic cover(in the hardware pack).
- b. Adjust the hinge of door in 3 direction to make sure the door level.

8. 調節浴室櫃。

- a. 裝上門鉸蓋·蓋上塑料孔蓋(五金包內)。
- b. 如圖所示三向調節門板位置。

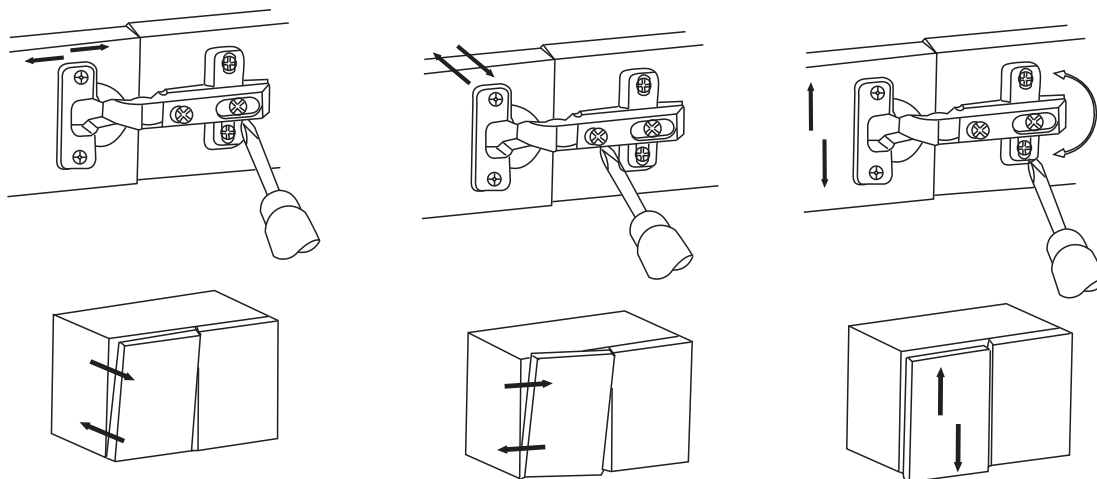


Fig.11
圖11

USER MAINTENANCE

日常維護

Warning! Risk of product damage.

1. Many cleansers contain abrasive and chemical substance which is not suitable for cleaning stainless steel, enamel, plating or plastic products. You may use mild cleansers or soaps to clean the surfaces. Wipe any splashes of cleaner solutions from the surface with clean soft cloth.
2. Maintain ventilation in the bathroom, and separate the dry area from the damp one if conditions permit. Try to open the door and windows of the bathroom and maintain good ventilation.
3. Kohler bathroom cabinet are dealt with strict procedures for damp-proof, whose good damp-proof function ensures good performance even in bathroom of huge humidity. Yet do not splash and pour water directly on the bathroom cabinet. Make sure that the bathroom is not over damp and wipe any splashes from surfaces immediately.
4. Maintenance of door board: Clean and wipe door board regularly, and wipe the condensation vapor with dry and soft cloth.
5. Ensure that electrical connections for appliances such as head lamp is insulated wipe mirror surface with chamois regularly to guarantee the persistent excellent performance.
6. Please do not sit, lean or step on the basin cabinet.
7. If any fixtures caused by abnormal reasons, Kohler China can supply paid replacement for service parts caused by abnormal reasons as shown in the Service Parts Page in the limited duration of warranty.

警告！小心產品受損。

1. 許多清潔劑都含有研磨劑及化學物質，不可用於清潔不鏽鋼、陶瓷、鍍層或塑膠製品。這些表面需使用溫和的清潔劑或皂液進行清潔，將殘餘洗滌劑洗乾淨，然後用乾淨的軟布擦乾。
2. 衛生間請保持良好的通風狀態，有條件的可以乾、濕分離，平常盡量保持浴室空氣暢通，養成開窗開門的習慣。
3. 科勒浴櫃都經過嚴格的防潮處理，但防潮並不是防水，使用時不可隨意任浴櫃被水澆、濺。良好的防潮性能可以保證在高相對溼度時仍有良好使用性，所以請避免衛生間過於潮濕，遇有水跡要及時擦乾。
4. 門板的保養：經常用軟布定期清潔、擦拭，洗浴後的冷凝水蒸氣應用乾布擦淨，保持門板的乾爽。
5. 照明燈等電器連接要確保絕緣、防潮鏡面最好用麂皮經常擦拭，可以保障使用質量經久如一。
6. 日常使用時，請勿坐、倚、靠、踩踏在面盆櫃上。
7. 科勒公司確保在擔保期內，可以提供因非正常原因造成的如維修零件圖中零件的有償更換。