

BEFORE YOU BEGIN

安裝之前

- Thank you for choosing the Bold Look of Kohler. Kohler craftsmanship offers you a rare combination of proven performance and graceful sophistication that will satisfy you for years to come. The quality and dependability of your Kohler toilet seat will surpass your highest expectations. We're very proud of our products here at Kohler and we know you will be too.
- Please take a few minutes to study this manual. Pay special attention to the Care and Cleaning instructions.
- All information in this manual is based upon the latest product information available at the time of publication. At Kohler, we constantly strive to improve the quality of our products. We reserve the right to make changes in product characteristics, packaging or availability at any time without notice.

-
-
-

ROUGHING-IN

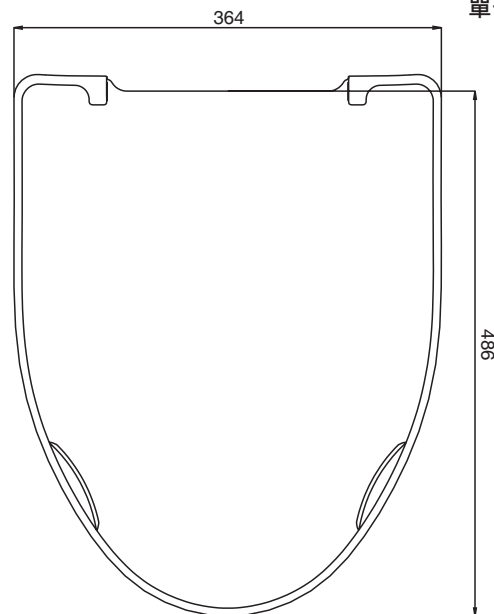
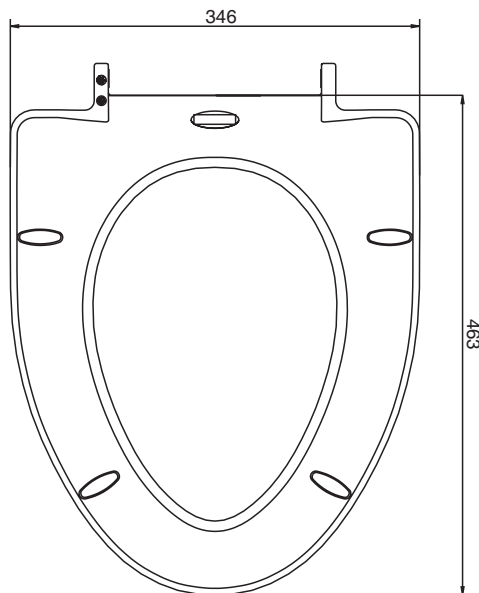
尺寸圖

Reference Value

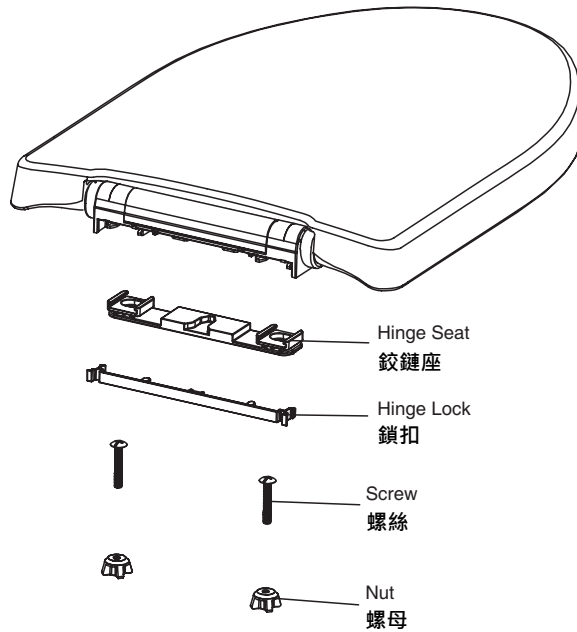
參考值

UNIT: mm

單位：毫米



科勒公司保留隨時變更圖中標示尺寸的權利，無需另行通知。
Kohler reserves the right to change marked dimensions without prior notice.



- Fix the hinge base onto the bowl with screws.
- Insert the seat into the hinge base.
- Insert the hinge lock.

- 用螺絲將鉸鏈座固定在陶瓷件上。
- 將蓋板插入鉸鏈座。
- 插上鎖扣。

IMPORTANT CONSUMER INFORMATION

用戶須知

Care and Cleaning

CAUTION: Risk of product damage. Do not stand on the toilet seat. The weight could damage the hinges.

The toilet seat may be completely removed for a complete cleaning. Refer to the "Toilet Seat Operation" section for detailed information.

Clean the outside surface of your toilet seat with mild soap and warm water. Wipe the entire surface completely dry with a clean, soft cloth. You may use soft abrasive cleaners when necessary to clean your toilet seat. Do not use strong abrasive cleaners, as they will scratch and dull the surface. Wipe any splashes of cleaner solutions from plastic or plated surfaces immediately.

If the surface becomes excessively dirty, please use a general purpose cleaner.

保養和清洗

注意：小心產品受損。 馬桶蓋上禁止站立，超重可能導致鉸鏈受損。

馬桶蓋可以完全拆除，方便徹底清洗。細節請參照「馬桶蓋操作」部分。

使用溫和的皂液和溫水清潔馬桶蓋板外側，然後用乾淨的軟布擦乾。必要的時候可以使用溫和的擦洗劑清潔馬桶蓋板。禁止使用高濃度擦洗劑進行清洗，可能會擦傷蓋板表面，使其失去光澤。使用擦洗劑過程中，對於塑料或者鍍層表面產生的任何泡沫，請立即擦乾。

如果蓋板表面很髒，請使用一般性的洗滌劑。