

BEFORE YOU BEGIN

- Thank you for choosing the Bold Look of Kohler. Kohler craftsmanship offers you a rare combination of proven performance and graceful sophistication that will satisfy you for years to come. The quality and dependability of your Kohler toilet seat will surpass your highest expectations. We're very proud of our products here at Kohler and we know you will be too.
- Please take a few minutes to study this manual. Pay special attention to the Care and Cleaning instructions.
- All information in this manual is based upon the latest product information available at the time of publication. At Kohler, we constantly strive to improve the quality of our products. We reserve the right to make changes in product characteristics, packaging or availability at any time without notice.
- This product complies with JC/T764-2008.

安裝之前

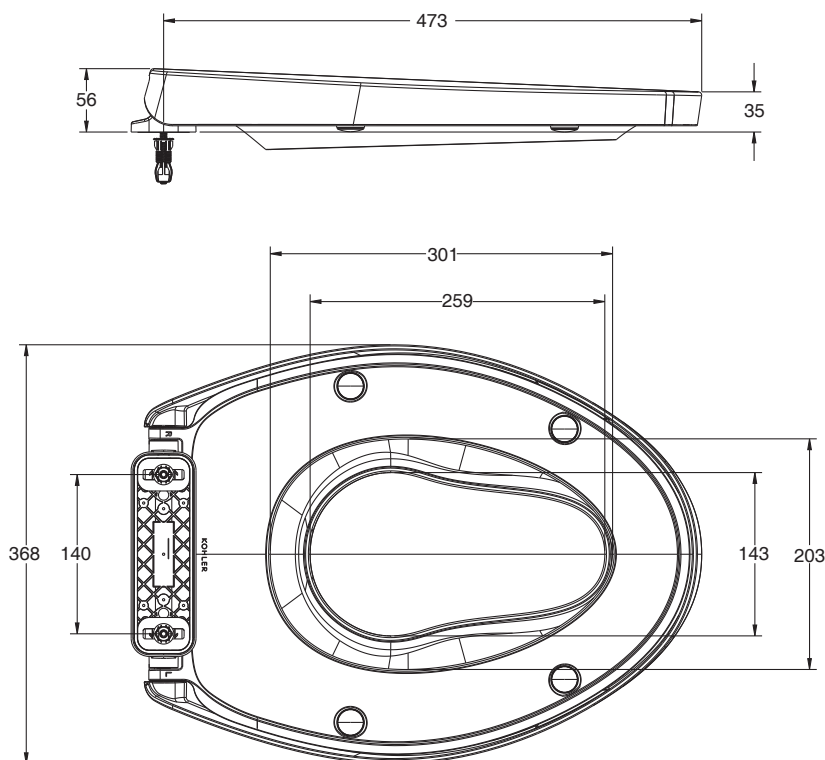
- 感謝您選擇科勒公司產品。科勒的精湛工藝為您提供優異性能和雅致外型相結合的完美產品，將使您對今後的使用感到滿意。科勒馬桶蓋板的優異性能和質量將超出您的期望。我們為科勒產品感到驕傲，您一定會有同樣感受。
- 請仔細閱讀此手冊。並請特別注意保養和清潔指南。
- 此手冊中所有訊息均來源於此手冊發表時最新產品的訊息。科勒公司將一如既往地致力於提高產品質量。科勒公司保留隨時更改產品規格、包裝、或者供貨的權利，恕不另行通知。
- 本產品符合 JC/T764-2008。

ROUGHING-IN

尺寸圖

Reference Value
參考值

UNIT: mm
單位：毫米

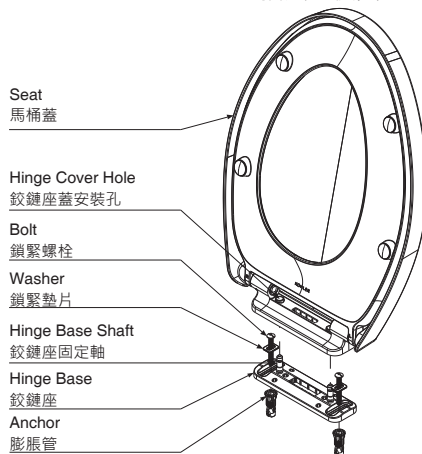


Kohler reserves the right to change marked dimensions without prior notice.
科勒公司保留隨時變更圖中標示尺寸的權利，無需另行通知。

INSTALLATION (Including Kids Ring Component) 安裝 (含小孩座圈)

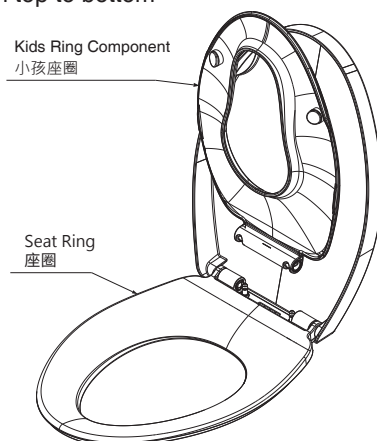
1. After inserting the anchor into the ceramic mounting hole, lock the hinge base on the ceramic with the locking bolt and the locking washer.
2. After the hinge cover hole is aligned with the hinge base shaft, insert the seat from top to bottom and insert both left and right to the end.

1. 將膨脹管插入陶瓷安裝孔後，用鎖緊螺栓與鎖緊墊片將鉸鏈座鎖緊在陶瓷上。
2. 鉸鏈座蓋安裝孔與鉸鏈座固定軸對齊後，將馬桶蓋由上向下插入並使其左、右都插到底。



3. Put down the seat ring as shown in the figure below. After the kids ring component mounting hole is aligned with the hinge base shaft, insert the component from top to bottom and insert both left and right to the end.

3. 如下圖所示，放下座圈，小孩座圈安裝孔與鉸鏈座固定軸對齊後，將小孩座圈由上向下插入並使其左、右都插到底。



REMOVAL

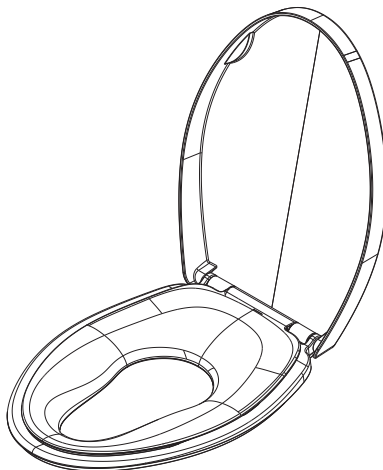
移除

Remove the kids ring component (including decorative cover installation)

移除小孩座圈 (含裝飾蓋安裝)

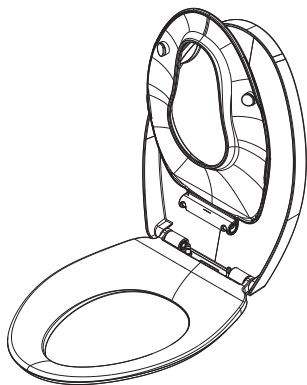
1. Open the seat as shown in the figure below.

1. 如下圖所示，請將馬桶蓋打開。



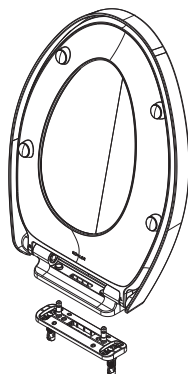
2. As shown in the figure below, open the kids ring component to the upright position and pull up and away from the hinge base.

2. 如下圖所示，請將小孩座圈打開到豎直位置，並向上拉離鉸鏈座。



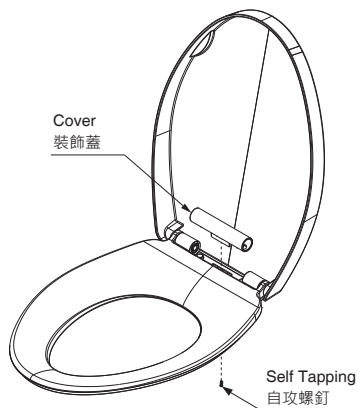
3. As shown in the figure below, open the seat ring and pull up and away from the hinge base together with the seat.

3. 如下圖所示，請將座圈打開，並與座蓋一起豎直向上拉離鉸鏈座。



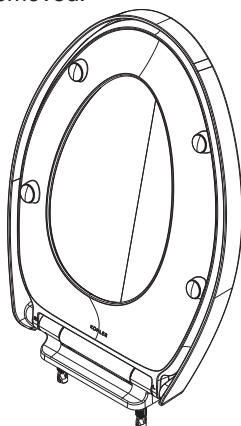
4. As shown in the figure below, separate the seat ring from the seat, insert the decorative cover and lock it with screws.

4. 如下圖所示，請將座圈與座蓋分開，將裝飾蓋插入候用螺釘鎖緊。



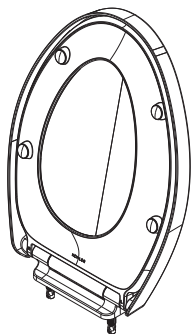
5. As shown in the figure below, insert the seat which has finished installation in step 4 straight down into the fixed shaft of the hinge base. Insert it both left and right to the end. Till now, the kids ring component has been removed.

5. 如下圖所示，請將第四步安裝完畢的座蓋豎直向下插入鉸鏈座固定軸並使其左、右都插到底。至此，小孩座圈拆除完畢。

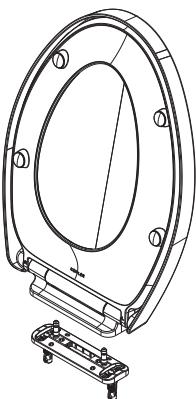


Steps to remove adult seat ring and seat

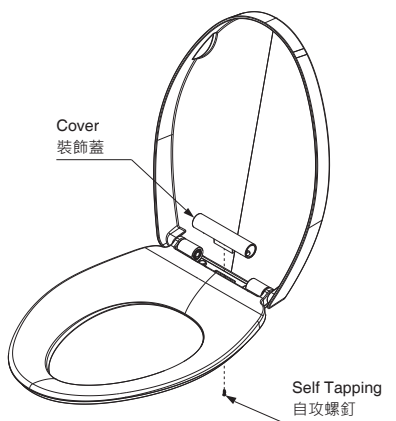
1. Open the seat ring and seat as shown in the figure below.



2. As shown in the figure below, pull the seat ring and seat vertically away from the hinge base.



3. As shown in the figure below, loosen the screws to remove the decorative cover. Till now, the seat is removed.



移除成人座圈·座圈蓋步驟

1. 如下圖所示·請將座圈、座蓋打開。

2. 如下圖所示·請將座圈、座蓋一起豎直拉離鉸鏈座。

3. 如下圖所示·鬆掉螺釘將裝飾蓋拆除。至此·座圈座蓋拆除完畢。

IMPORTANT CONSUMER INFORMATION 用戶須知

Care and Cleaning

CAUTION: Risk of product damage. Do not stand on the toilet seat. The weight could damage the hinges.

The toilet seat may be completely removed for a complete cleaning. Refer to the "Toilet Seat Operation" section for detailed information.

Clean the outside surface of your toilet seat with mild soap and warm water. Wipe the entire surface completely dry with a clean, soft cloth. You may use soft abrasive cleaners when necessary to clean your toilet seat. Do not use strong abrasive cleaners, as they will scratch and dull the surface. Wipe any splashes of cleaner solutions from plastic or plated surfaces immediately.

If the surface becomes excessively dirty, please use a general purpose cleaner.

保養和清洗

注意：小心產品受損。馬桶蓋上禁止站立·超重可能導致鉸鏈受損。

馬桶蓋可以完全拆除·方便徹底清洗。細節請參照「馬桶蓋操作」部分。

使用溫和的皂液和溫水清潔馬桶蓋板外側·然後用乾淨的軟布擦乾。必要的時候可以使用溫和的擦洗劑清潔馬桶蓋板。禁止使用高濃度擦洗劑進行清洗·可能會擦傷蓋板表面·使其失去光澤。使用擦洗劑過程中·對於塑料或者鍍層表面產生的任何泡沫·請立即擦乾。

如果蓋板表面很髒·請使用一般性的洗滌劑。