

Installation Guide

安裝使用說明書

Bidet Filter

電腦馬桶蓋過濾器

K-21038T-NA



KOHLER[®]

CAUTIONS AND WARNINGS / 安全注意事項

- Risk of product damage. Water leakage may happen if the water pipe connector is pulled or pushed with excessive force.
產品損壞的危險。硬推、硬拉水管接頭可能造成水滲漏。
- Risk of product damage. Do not install this product near objects of high temp., such as a bathroom heater.
產品損傷的危險。不要將本產品安裝在暖風機等高溫物體旁。
- Risk of product damage. Keep this product out of direct sunlight.
產品損傷的危險。不要將本產品安裝在陽光直射處。
- Drinking water must be used. Do not use reclaimed water, recycled water, industrial water and sea water etc. non-drinking water. Otherwise it might cause skin inflammation or product damage.
本產品必須使用飲用自來水，嚴禁使用中水，再生水，工業用水，海水等非生活飲用水。否則可能導致皮膚炎症等或產品損壞。
- Before using the filter, make sure to rinse inlet water pipeline thoroughly and clear any foreign matter to avoid clogging.
過濾器使用前，一定要先徹底沖洗供水管以清除管道中的雜質，防止直接堵塞。

- For areas where water may freeze in pipes, maintain a proper temperature. Any water remaining in the product may freeze during winter. Please keep the product at room temperature before re-installation or usage.
在一些水可能在水管中結冰的地方，要做好水管保溫的安排。任何留在產品裡的水在冬天儲存時都可能結冰。在重新安裝或使用前請保證產品暖至室溫。
- Before resuming use after an extended time, please wash it thoroughly.
如果長期擱置不用，當恢復使用時，要充分沖洗。
- Install this product properly according to the inlet and outlet directions.
本產品必須按照標示的進水和出水方向垂直正確安裝。

WORKING PRINCIPLE / 工作原理

- This filter is designed to reduce heavy metals in washing water, such as residual chlorine, lead, and mercury.
本過濾器用於減少潔身用水中的餘氯、鉛、汞等重金屬物質。
Note: Available only for smart toilets and smart bidet seats.
Not a replacement for a unit to purify drinking water.
注: 僅適用於智能馬桶以及電腦馬桶蓋，不可替代直飲水等淨水設備。

SPECIFICATIONS / 規格

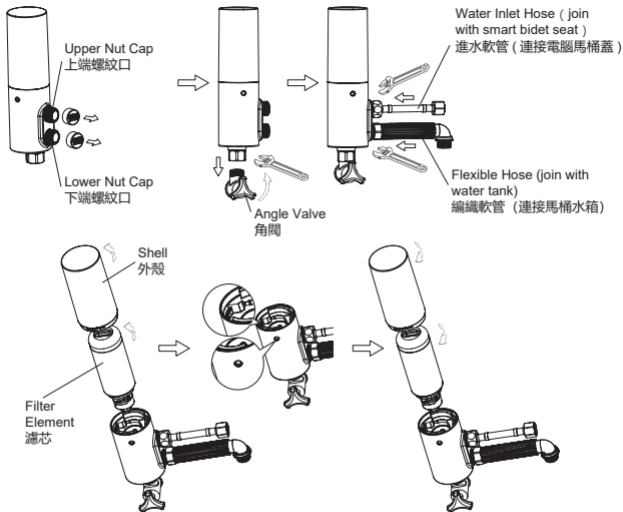
Water pressure	0.05 MPa (dynamic pressure) ~ 0.86 MPa
Operating environment	4-49°C
Inlet water temp	5-50°C
Filter element replacement cycle	6-12 months (Subject to water quality, replace the filter element when service life expires or washing water becomes notably less. Model No.: K-22760T-0).
進水壓力	0.05 MPa (動壓) ~ 0.86 MPa
環境溫度	4-49°C
進水溫度	5-50°C
濾心更換週期	6-12 個月 (根據水質不同, 當濾心使用壽命到期時或者發現清洗水量明顯變小時, 請更換濾芯, 產品型號為: K-22760T-0)

FILTER INSTALLATION / 安裝過濾器



- Attention!**
1. The hose connecting to the water tank as shown in this Guide should be purchased separately by the user.
 2. Please connect pipes correctly as in illustrations to ensure proper functioning.
 3. Before installation, make sure that the center of angle valve outlet is at least 20mm away from the wall.

- 注意!**
1. 本說明書中所示的連結馬桶蓋水箱的編織軟管需要用戶自行購買。
 2. 請按照圖示要求進行水管連接，避免接錯，造成過濾器無法有效工作。
 3. 產品安裝前，請先確保角閥出水口中心距離牆端面至少20mm。



Scroll the time belt, adjust and set initial time, and record the replacement time for filter element.

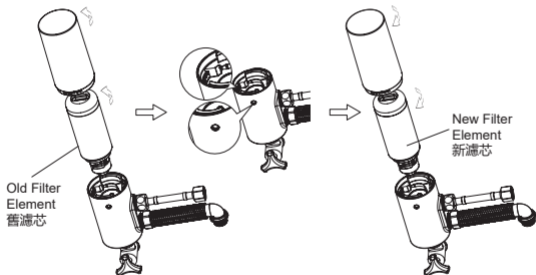
(Note: Figures indicate current filter installation/replacement month.)

撥動時間環，調整設置初始時間，記錄濾芯更換日期。(注：數字表示當前安裝過濾器/更換濾芯時的月份。)

FILTER ELEMENT REPLACEMENT / 更換濾芯

Replace the filter element when service life expires or the washing water becomes notably less (Model No.: K-22760T-0).

當濾芯使用壽命到期時或者發現清洗水量明顯變小時，請更換濾芯
(產品型號為：K-22760T-0)。



CLEANING GUIDE / 清洗說明



Warning! Risk of superficial damage. Some cleansers, such as ammonia, cleaning powder, and toilet cleaner, may cause damage to the plating surface. Avoid using them.

警告! 外觀損壞的危險。許多清潔劑，比如氨水、去污粉及潔廁靈等，會對電鍍表面造成傷害，切忌使用。

- Clean the surface with mild, soapy water, and wipe the entire surface dry with a clean and soft cloth.
以中性肥皂水清洗表面，再以乾淨軟布徹底擦乾整個表面。