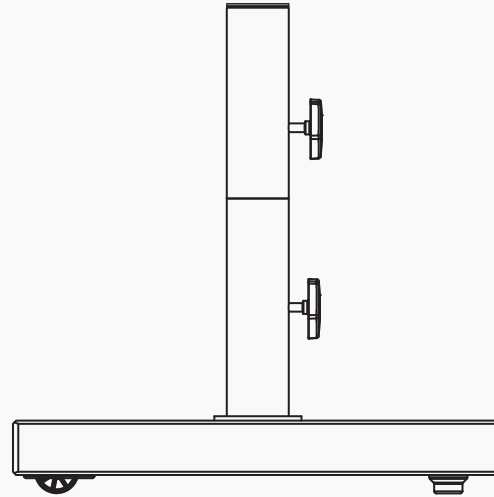


組裝說明

27公斤/ 59.5磅戶外遮陽傘傘座

ITM. / ART. # 1713402

內含重要資訊，請保留以供日後參考：請詳閱。
本產品僅適用於戶外營業與居家使用。



遇到問題、疑難、零件遺失？

在將商品退回零售商之前，可先撥打 1-888-690-9800與我們的客服部門聯絡（來電請於（太平洋時間）上午8:00 - 下午5:00；東部時間（上午11:00 - 下午8:00，週一至週五。提供英語與西班牙語服務）），或是寄送電子郵件至：survice@sunvilla.com。

準備工作

開始組裝本產品之前，確保所有零件都未遺漏。所有的零件使用包裝內容明細以及五金內容明細進行比對。若有任何零件遺失或受損，則請勿嘗試組裝本產品。停止組裝並與我們的客服中心聯絡。

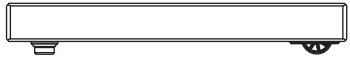
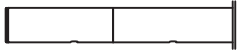



預計組裝時間：10分鐘。組裝需使用的工具：無。

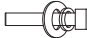

⚠️ 安全事項

在嘗試進行組裝或安裝本產品之前，請閱讀並了解本手冊全文。本產品不應當成玩具或工具。孩童不應參與本產品的操作、組裝、移除或拆卸作業。

傘座零件明細

⚠ 警告： 為避免新的遮陽傘底座受損，請以外箱或是其他柔軟表面（例如地毯）作為工作面，以免產品在組裝時損壞。

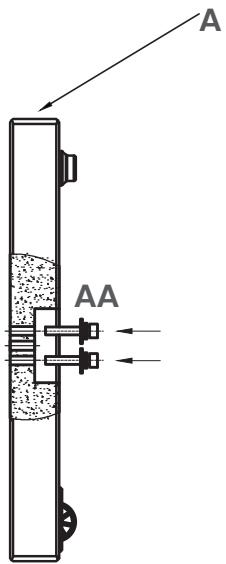
零件編號	內容說明	數量
A	 傘座	1
B	 兩節筒套	1
C	 握把	2
D	 (零件 B 預組件)	1
E	 (零件 B 預組件)	1

零件編號	內容說明	數量
AA	 螺栓	2
BB	 六角扳手	1

內含重要資訊，請保留以供日後參考：請詳閱。

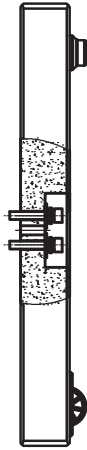
傘座組裝

步驟 1

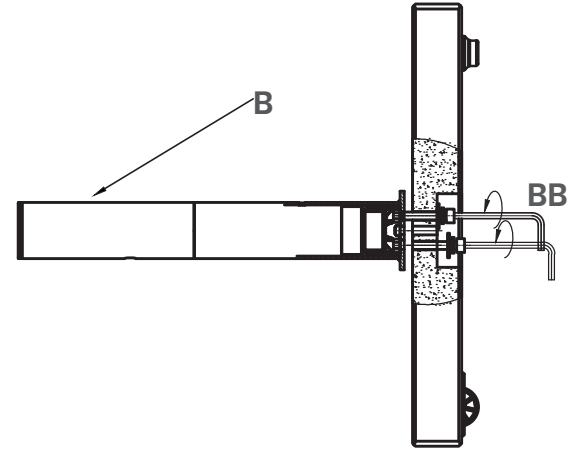


將AA穿入傘座A中間的孔洞內。

步驟 2



步驟 3

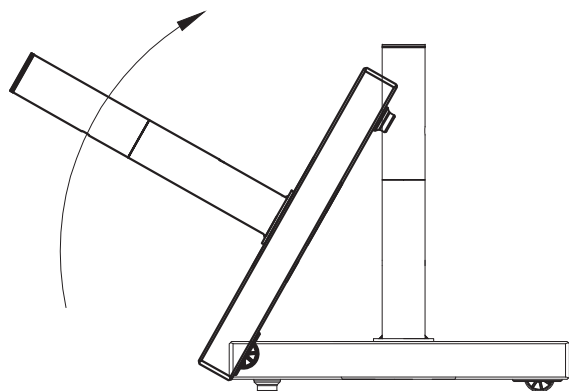


藉由與螺栓孔對齊，將傘柱（B）安裝於傘座（A）。一旦全數螺栓安裝完成，以六角扳手BB確實地鎖緊。

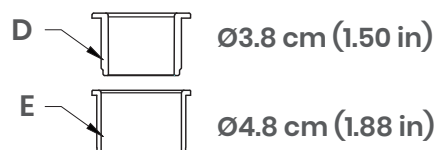
內含重要資訊，請保留以供日後參考：請詳閱。

使用傘座

步驟 4

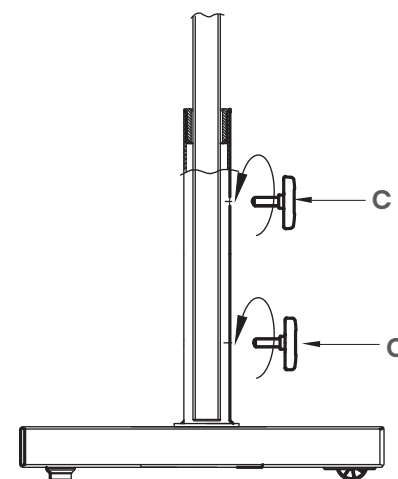


步驟 5



註：傘座可安裝直徑4.8公分/1.88英吋的遮陽傘傘柄。

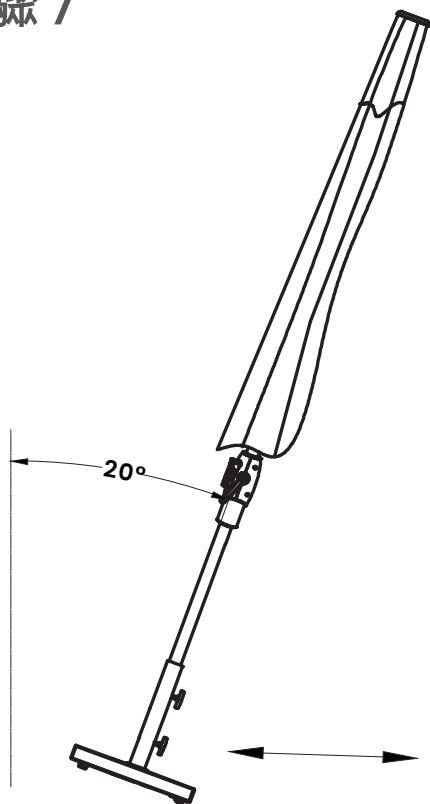
步驟 6



註：避免將握把C鎖得過緊，以免刮傷遮陽傘傘柄。

使用傘座

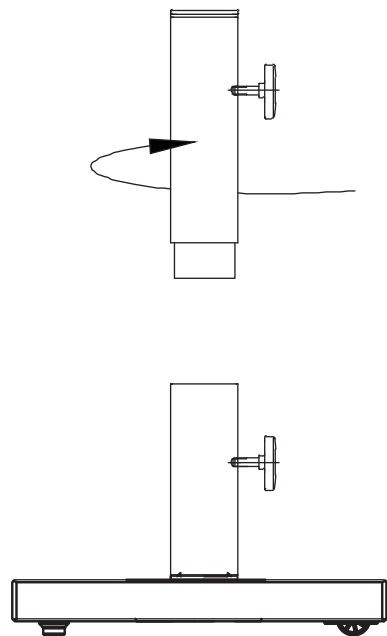
步驟 7



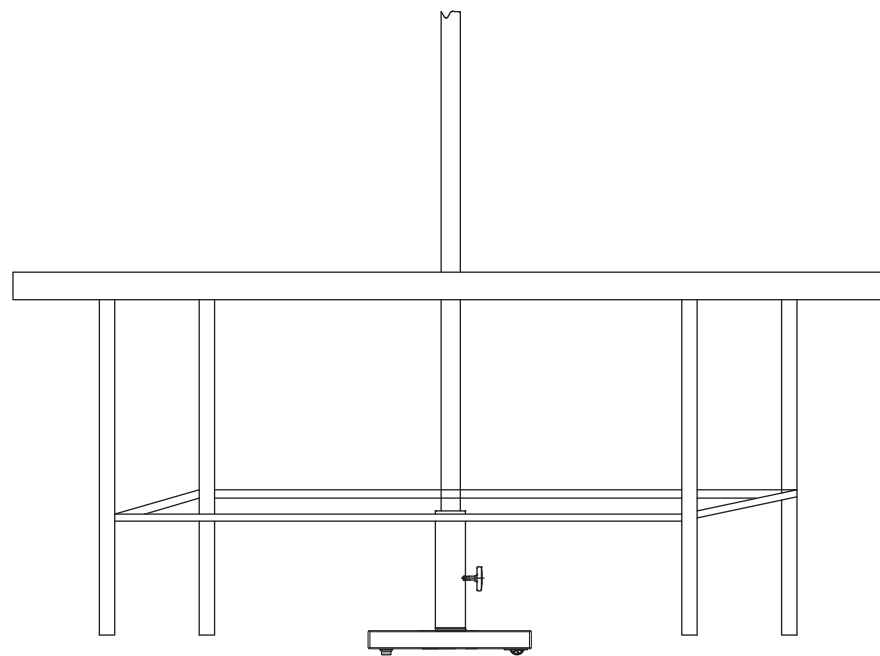
註：將遮陽傘對著輪子的方向傾斜轉動。
傾斜角度不應超過 20°。

傘座使用於桌底

步驟 1



步驟 2



維護與保養

框架

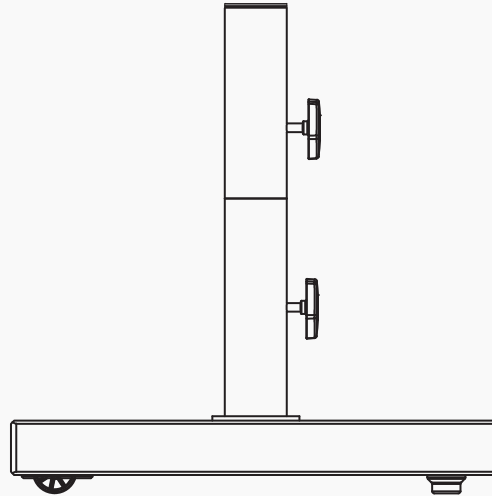
使用溫和無刺激性的肥皂手動清洗，並徹底地以水沖洗。以軟布擦乾。

請勿使用具磨蝕性的清潔劑或是擦洗過於用力，這都會使表面受損。

27 kg / 59.5 lb Granite Stone Umbrella Base

ITM. / ART. # 1713402

**IMPORTANT, RETAIN FOR FUTURE REFERENCE: READ CAREFULLY
THIS ITEM IS INTENDED FOR OUTDOOR COMMERCIAL AND DOMESTIC USE ONLY.**



Questions, problems, missing parts?

Before returning to your retailer, call our customer service department at 1-888-690-9800 (8:00 a.m. - 5:00 p.m. PT / 11:00 a.m. - 8:00 p.m. ET, Monday - Friday. English and Spanish) or email us at service@sunvill.com.

Preparation

Before beginning to assemble this product, make sure all parts are present. Compare parts with package contents list and hardware contents list. If any parts are missing or damaged, do not attempt to assemble this product. Stop and call our customer service center.


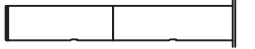



Estimated Assembly Time: 10 minutes. Tools Required for Assembly: None.

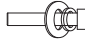

⚠ Safety Information

Please read and understand this entire manual before attempting to assemble or install the product. It should not be used as a toy or tool. Children should not engage in the operation, assembly, removal, or disassembly of the product.

Base Parts List

⚠ WARNING: To avoid damage to your new umbrella base, please use either the carton or another soft surface such as carpet as a working surface to prevent product damage during assembly.

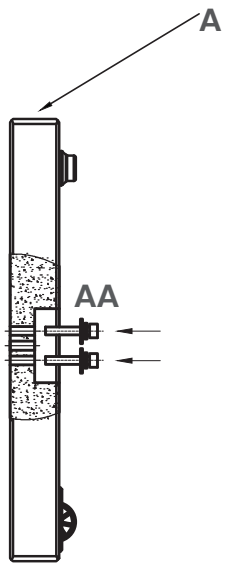
PART NO.	DESCRIPTION	QTY	
A	 Base	1	
B	 2-Piece Tube	1	
C	 Knob	2	
D	 (Pre-assembled in Part B)	∅3.8 cm (1.50 in) Collar Inside	1
E	 (Pre-assembled in Part B)	∅4.8 cm (1.88 in) Collar Outside	1

PART NO.	DESCRIPTION	QTY
AA	 Bolt	2
BB	 Hex Wrench	1

IMPORTANT: Read carefully and retain for future reference.

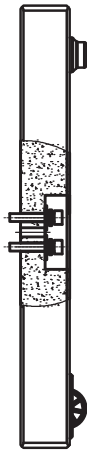
Base Assembly

Step 1

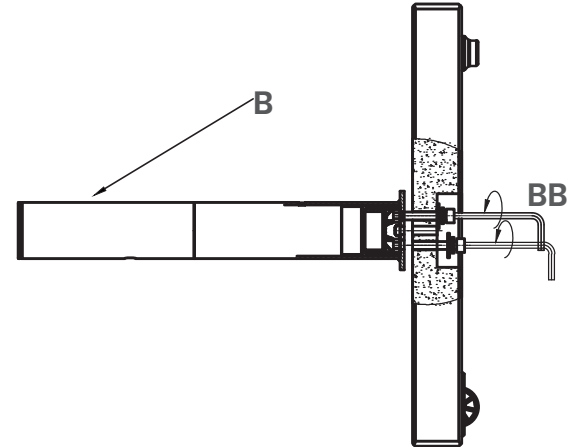


Pass AA through the holes in the middle of the base A.

Step 2



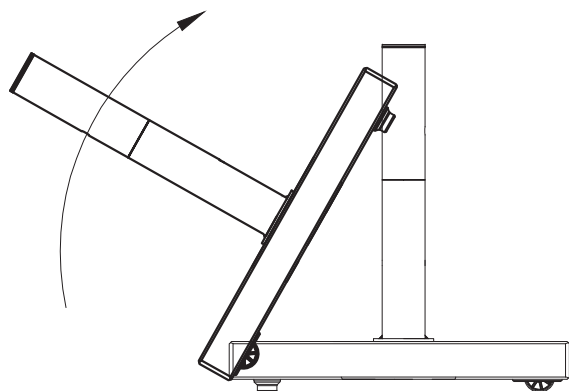
Step 3



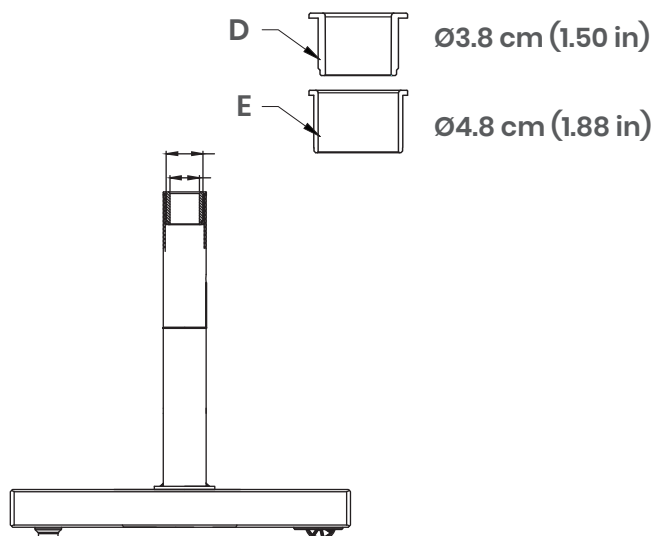
Attached umbrella tube B to the base A, by lining up the bolt holes. Once all bolts have been installed, tighten firmly with hex wrench BB.

Base Usage

Step 4

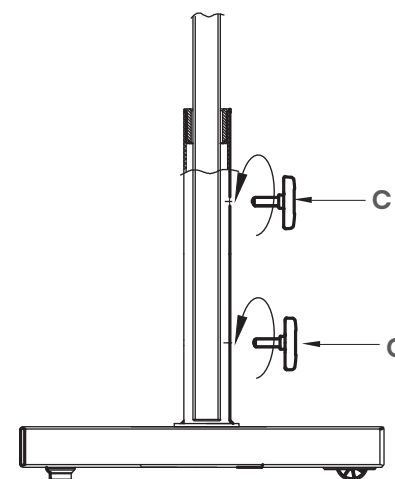


Step 5



Note: The base can fit umbrella pole diameters 4.8 cm / 1.88 in.

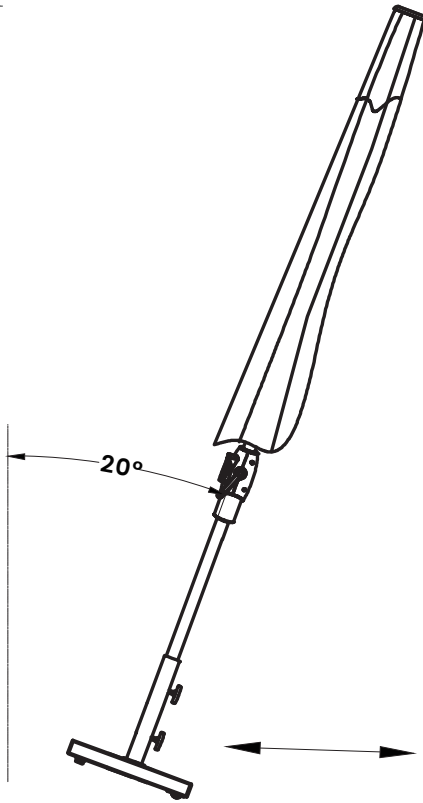
Step 6



Note: Avoid tightening the knobs C too tightly to prevent scratching the umbrella pole.

Base Usage

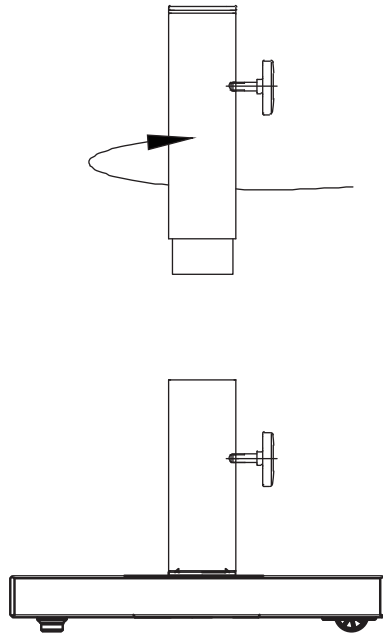
Step 7



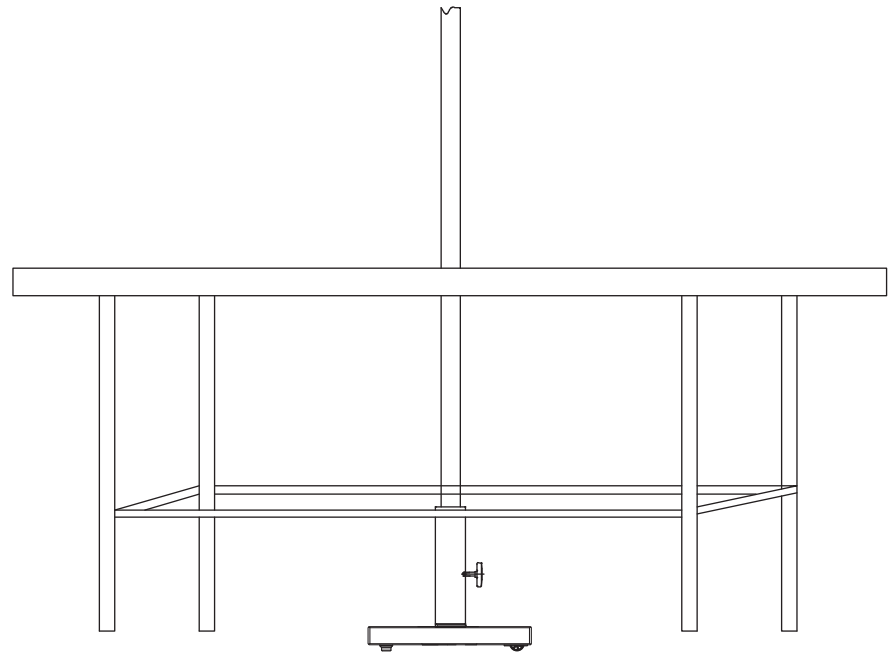
Note: Tilt the umbrella in the direction of the wheels to move.
The angle should not exceed 20°.

Base Usage Under a Table

Step 1



Step 2



Care and Maintenance

Frame

Hand wash with mild soap and rinse thoroughly with water. Dry with a soft cloth.
Do not use abrasive cleaners or scrub too rough as it may mar the surface.

SUNVILLA

Distributed by:
Costco Wholesale
Corporation P.O. Box 34535
Seattle, WA 98124-1535
USA
1-800-774-2678
www.costco.com

Costco Wholesale Canada Ltd.*
415 W. Hunt Club Road
Ottawa, Ontario
K2E 1C5, Canada
1-800-463-3783
www.costco.ca
* faisant ffaire au Québec sous
le nom les Entrepôts Costco

Importado por:
Importadora Primex S.A. de C.V.
Blvd. Magnocentro No. 4
San Fernando La Herradura
Huixquilucan, Estado de México
C.P. 52765
RFC: IPR-930907-S70
(55)-5246-5500
www.costco.com.mx

Costco Wholesale Australia Pty Ltd
17-21 Parramatta Road
Lidcombe NSW 2141
Australia
www.costco.com.au

Costco Wholesale UK Ltd /
Costco Online UK Ltd
Hartspring Lane
Watford, Herts
WD25 8JS
United Kingdom
01923 213113
www.costco.co.uk

Costco Wholesale Spain S.L.U.
Polígono Empresarial Los Gavilanes
C/ Agustín de Betancourt, 17
28906 Getafe (Madrid) España
NIF: B86509460
900 111 155
www.costco.es

Costco Wholesale Iceland ehf.
Kauptún 3-7, 210 Gardabaer
Iceland
www.costco.is

Costco France
1 avenue de Bréhat
91140 Villebon-sur-Yvette
France
01 80 45 01 10
www.costco.fr

Costco Wholesale Japan Ltd.
2 Kakuchi, 2 Gaiku, Kaneda-Nishi
361 Uricura, Kisarazu shi
Chiba, 292-0007 Japan
0570-200-800
www.costco.co.jp

Costco Wholesale Korea, Ltd.
40, Iljik-ro
Gwangmyeong-si
Gyeonggi-do, 14347, Korea
1899-9900
www.costco.co.kr

Costco Wholesale New Zealand Limited
2 Gunton Drive
Westgate
Auckland 0814
New Zealand
www.costco.co.nz

Costco (China) Investment Co., Ltd.
Room 01 Mezzanine
No. 5178, Kang Xin Highway
Pudong New District
Shanghai
China 201315
+86-21-6257-7065

Costco Wholesale Sweden AB
Box 614
114 11 Stockholm
Sweden
www.costco.se

MADE IN CHINA
FABRIQUÉ EN CHINE
HECHO EN CHINA