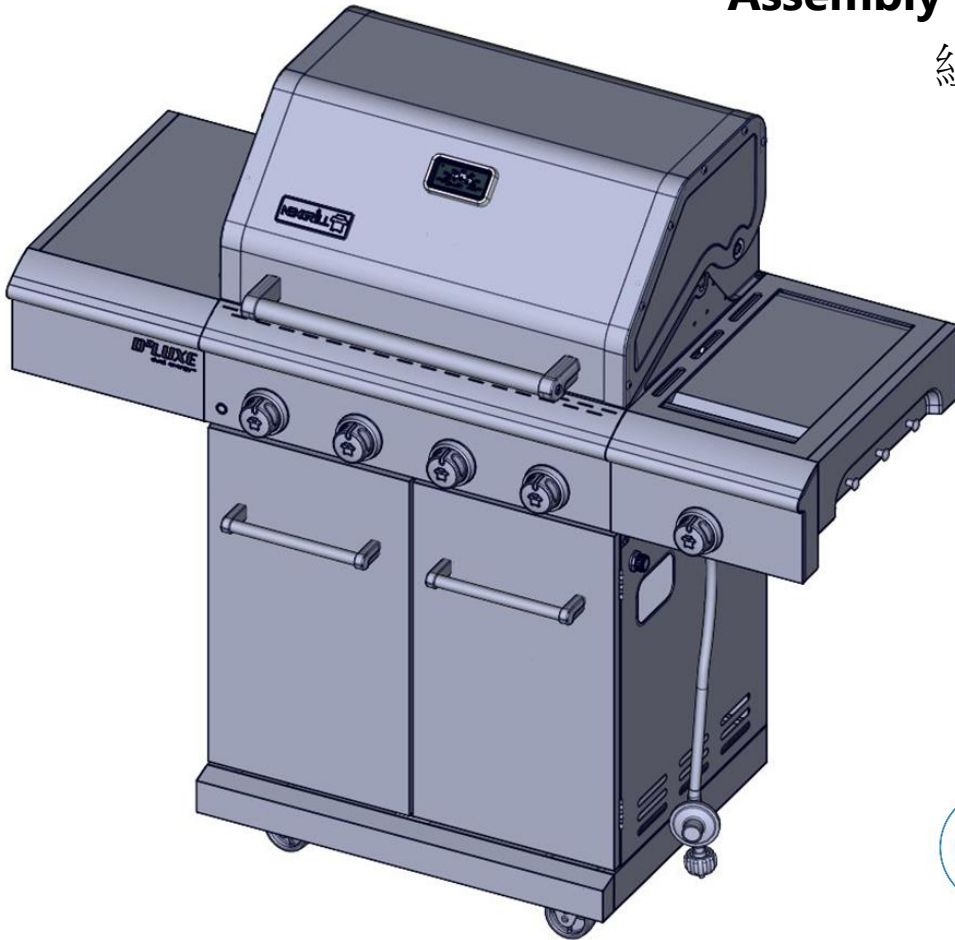




DELUXE

ITM./ART. 1900635 Assembly Instructions 組裝使用手冊



IMPORTANT, RETAIN FOR FUTURE REFERENCE: READ CAREFULLY.
重要，請妥善保存以供未來參考：請詳閱

Table of Contents / 目錄

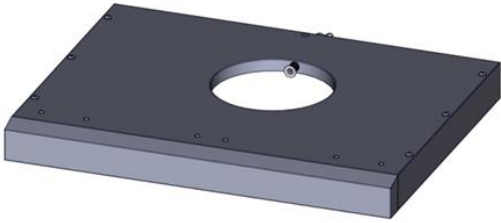
Package Content List	2-4	產品包裝明細.....	2-4
Preparation	5	準備工作.....	5
Assembly Instructions	6-23	組裝說明.....	6-23

720-0958AE

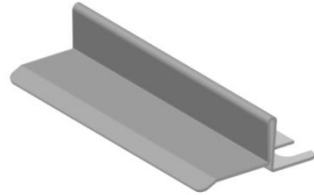
FOR OUTDOOR USE ONLY. NOT FOR COMMERCIAL USE.
僅供戶外使用。非商業用途。

Package Parts List
包裝零件清單

1



2



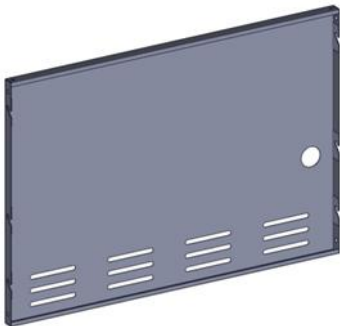
3



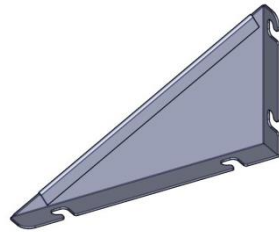
4



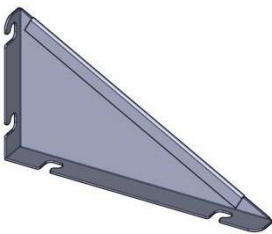
5



6



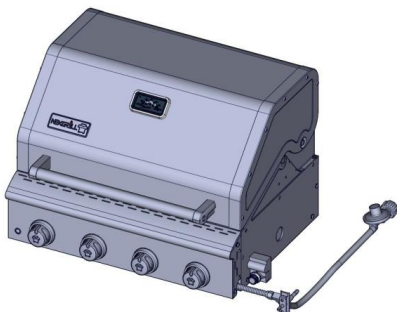
7



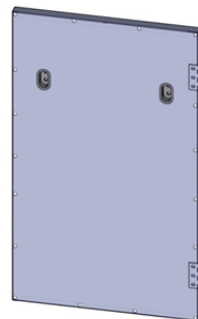
8



9

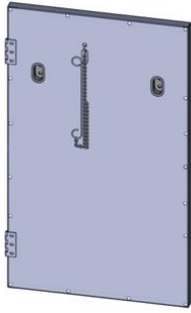


10

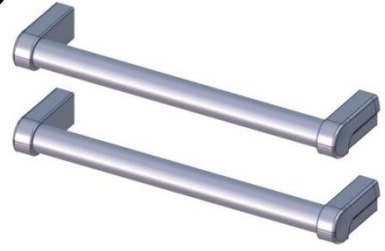


Package Parts List
包裝零件清單

11



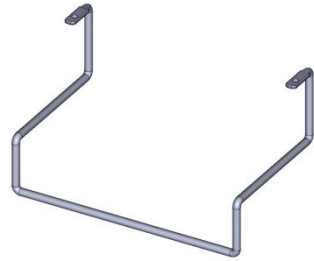
12 (x2)



13



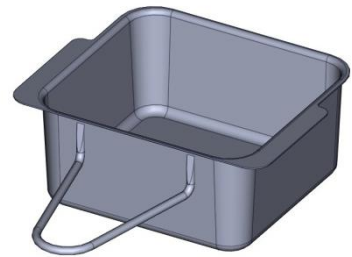
14



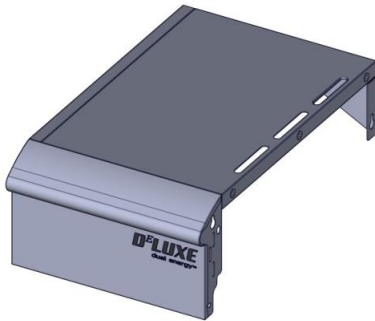
15



16



17



18



19

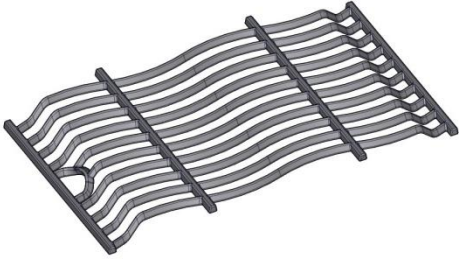


20

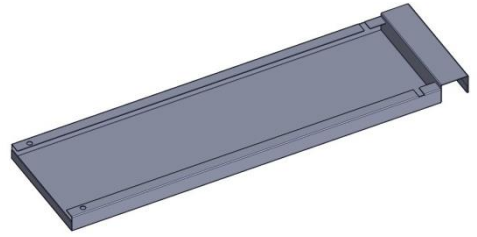


Package Parts List
包裝零件清單

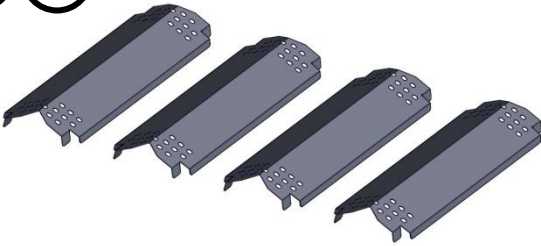
21



22



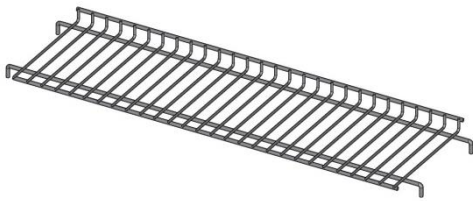
23 (x4)



24 (x2)



25



26



Tools Needed 需要使用到的工具



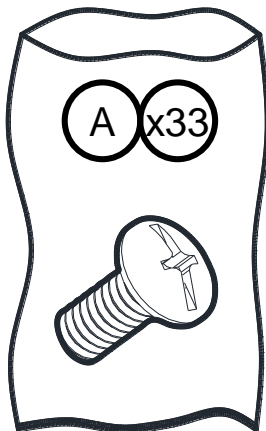
Some parts come with Screws pre-installed.
Loosen and tighten for final assembly.



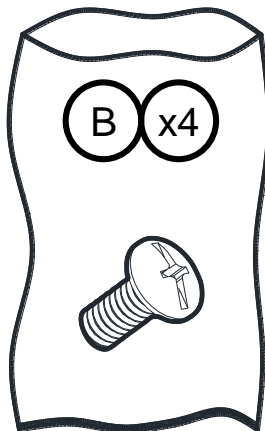
- 部份附帶螺絲預先安裝。
- 鬆開與鎖緊以進行最終裝配。

Hardware Package List 五金包裝明細

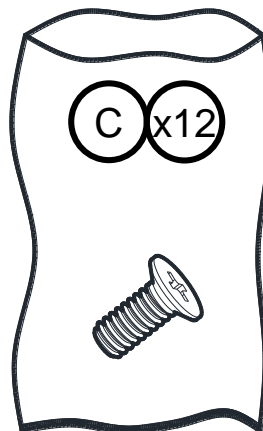
Truss Head Screw
1/4 - 20 x 5/8"
圓頂螺絲
1/4 - 20 x 5/8"



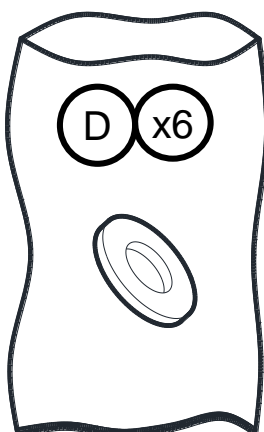
Truss Head Screw
5/32 - 32 x 3/8"
圓頂螺絲
5/32 - 32 x 3/8"



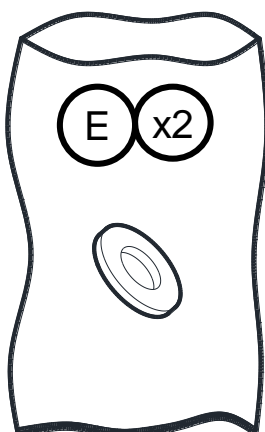
Flat Head Screw
5/32-32x 3/8"
平頭螺釘
5/32-32x 3/8"



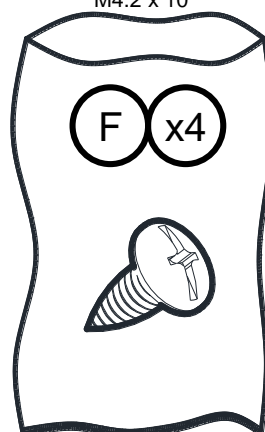
Flat Washer 1/4"
平墊圈 1/4"

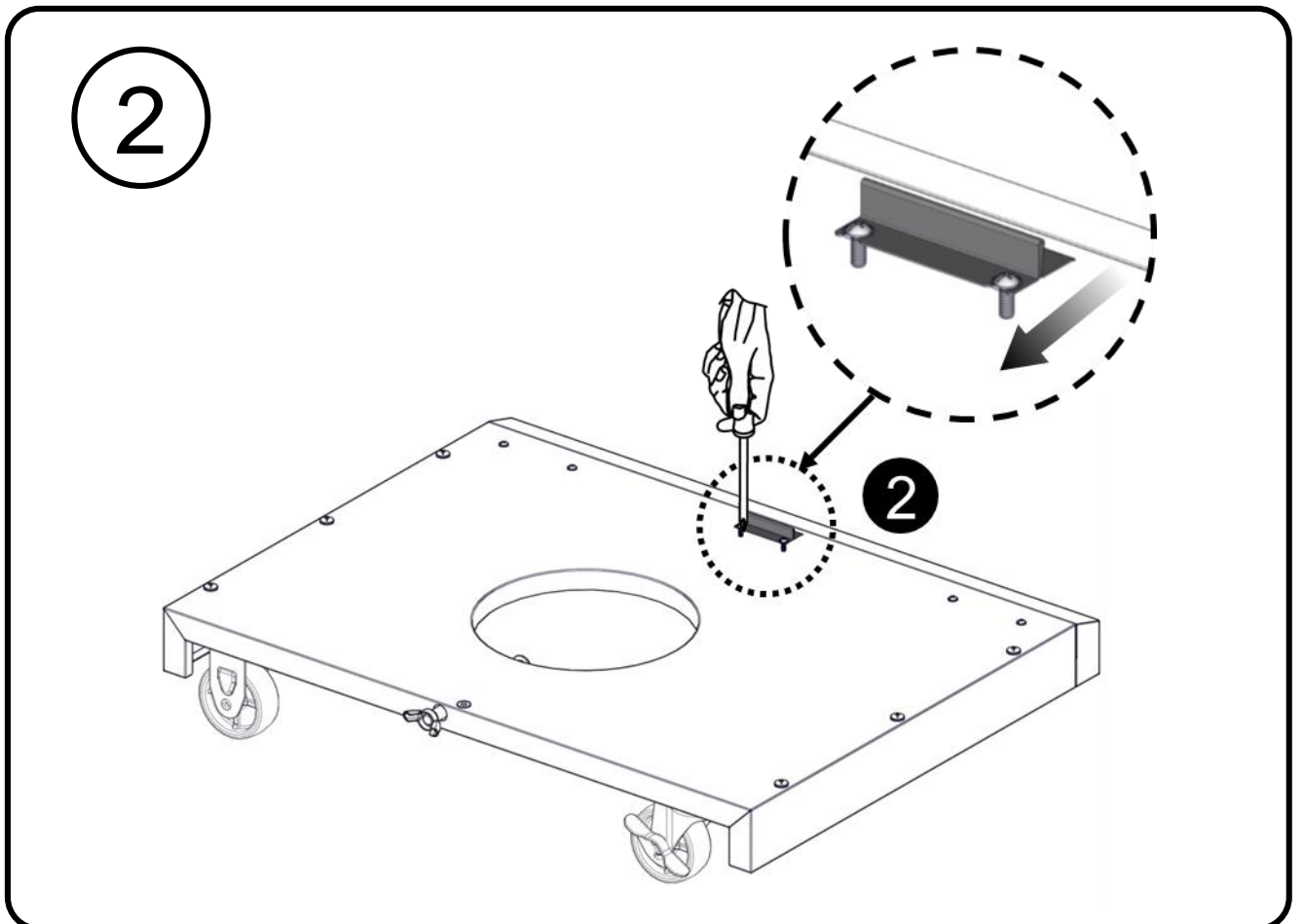
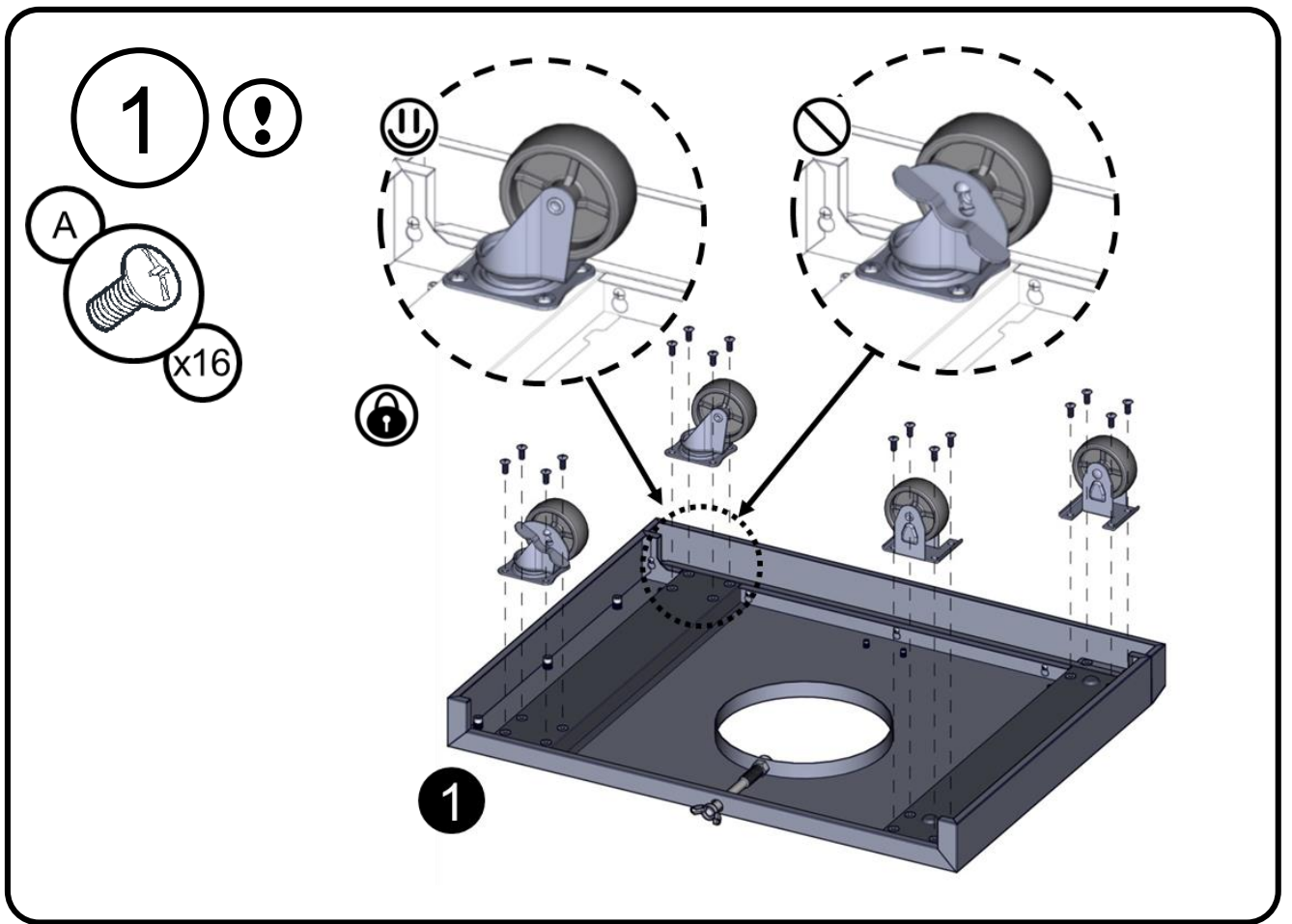


Flat Washer 5/32"
平墊圈5/32"

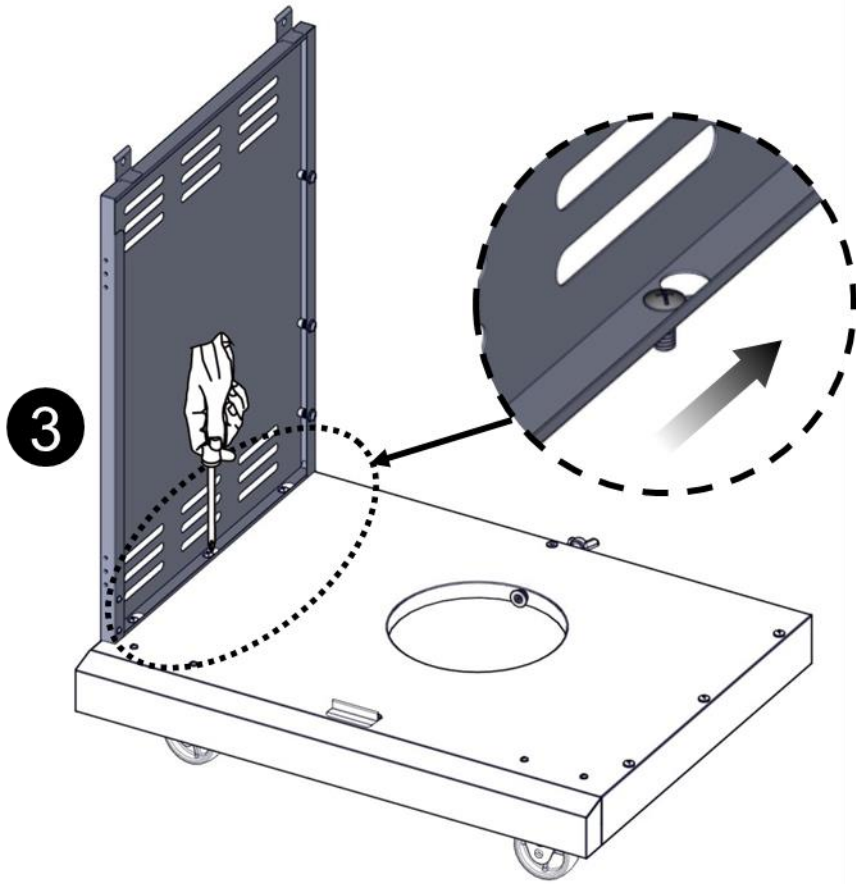


Self-Tapping Screw
M4.2 x 10
自攻螺釘
M4.2 x 10

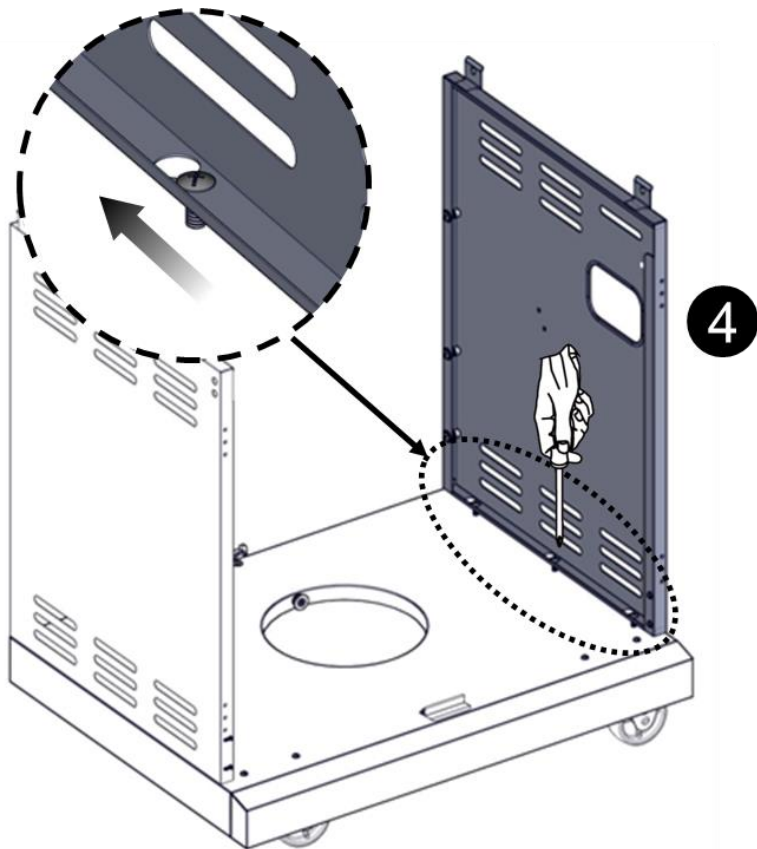


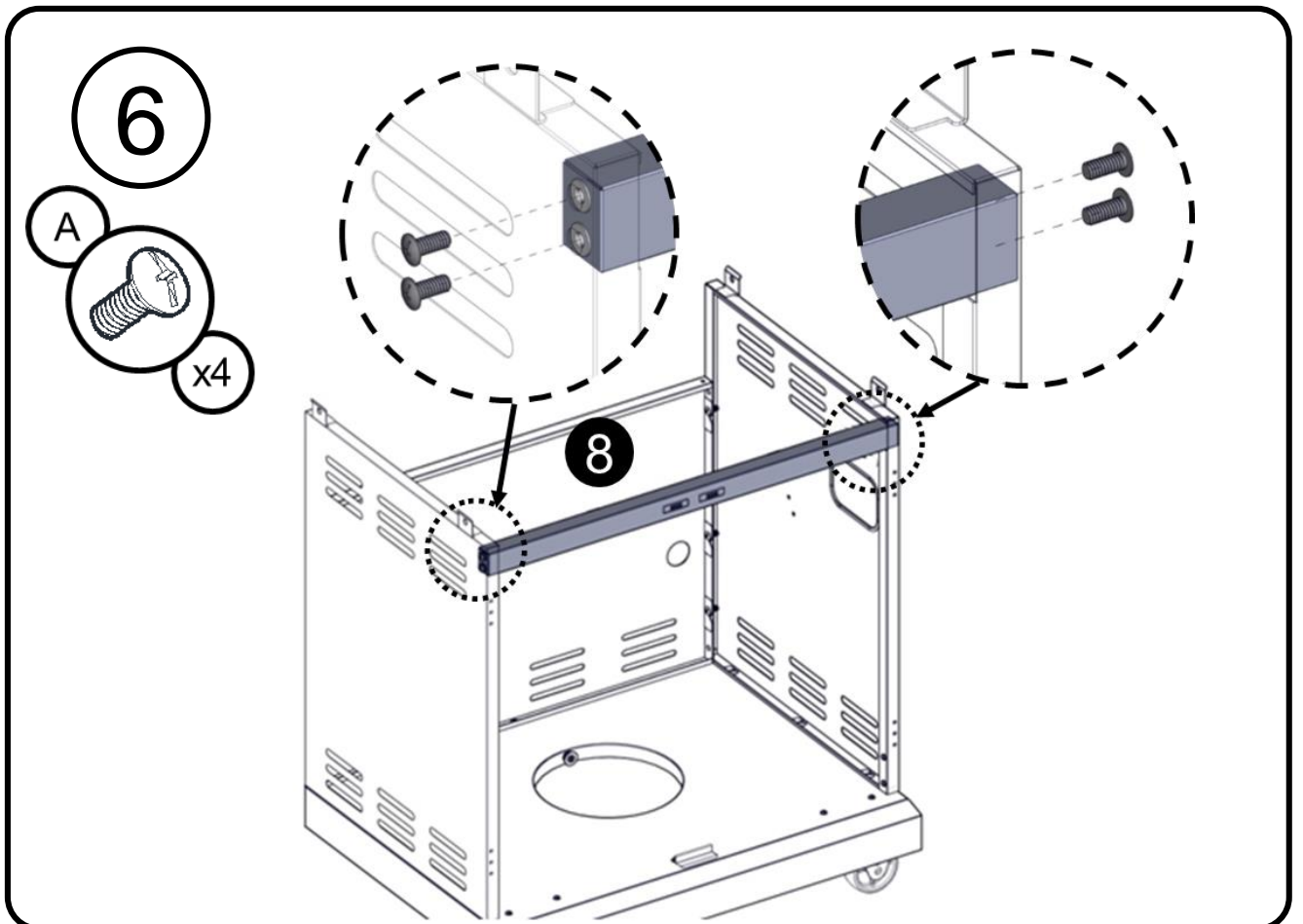
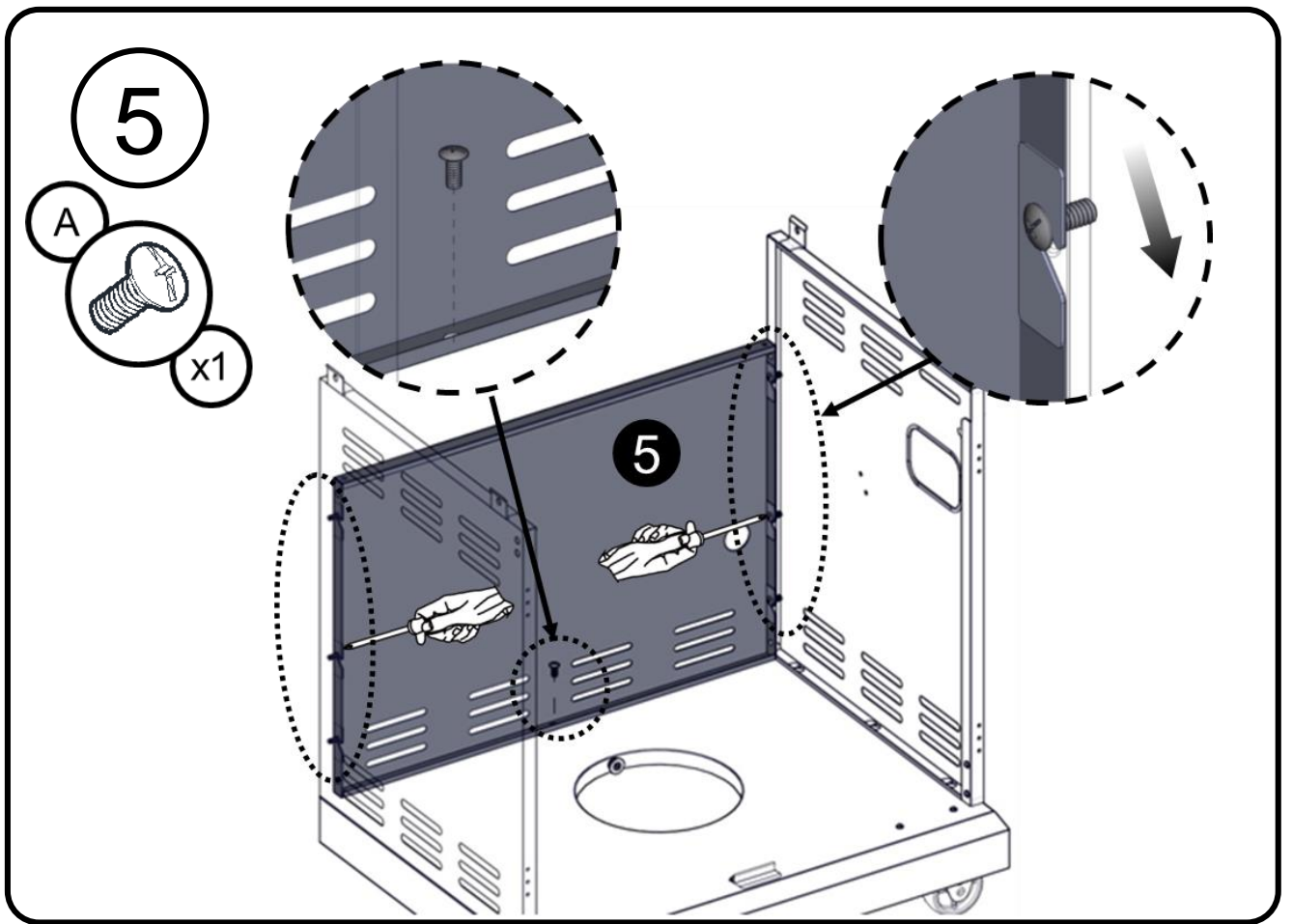


3

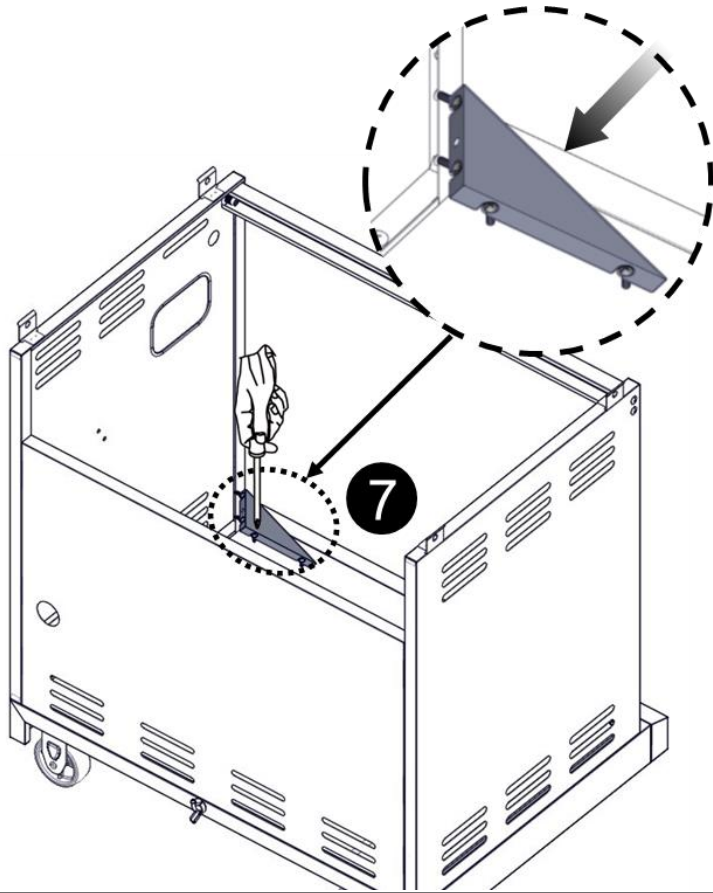


4

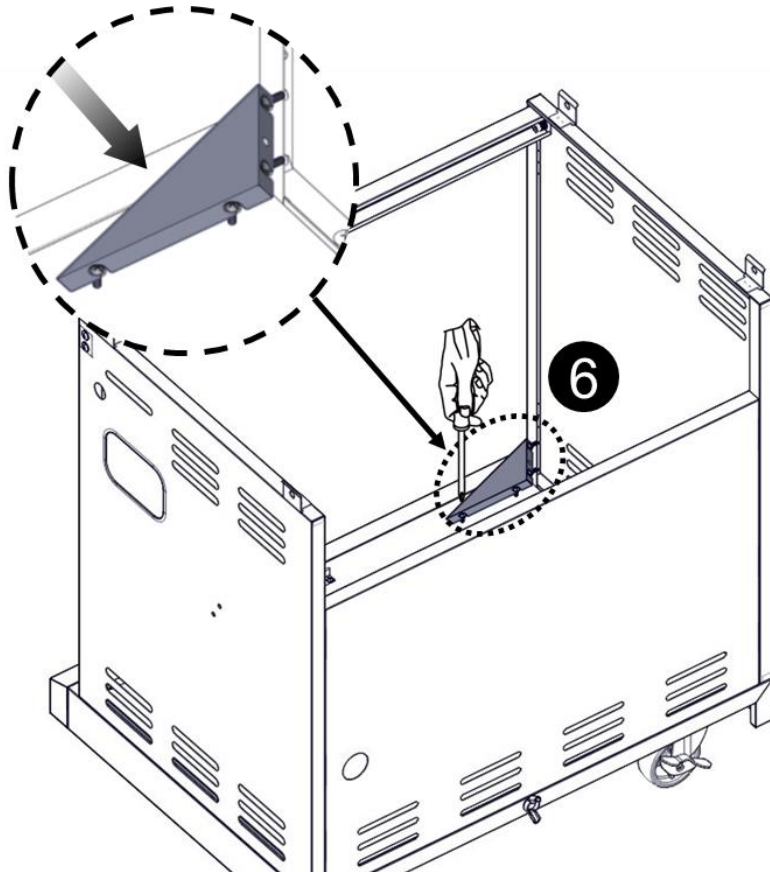




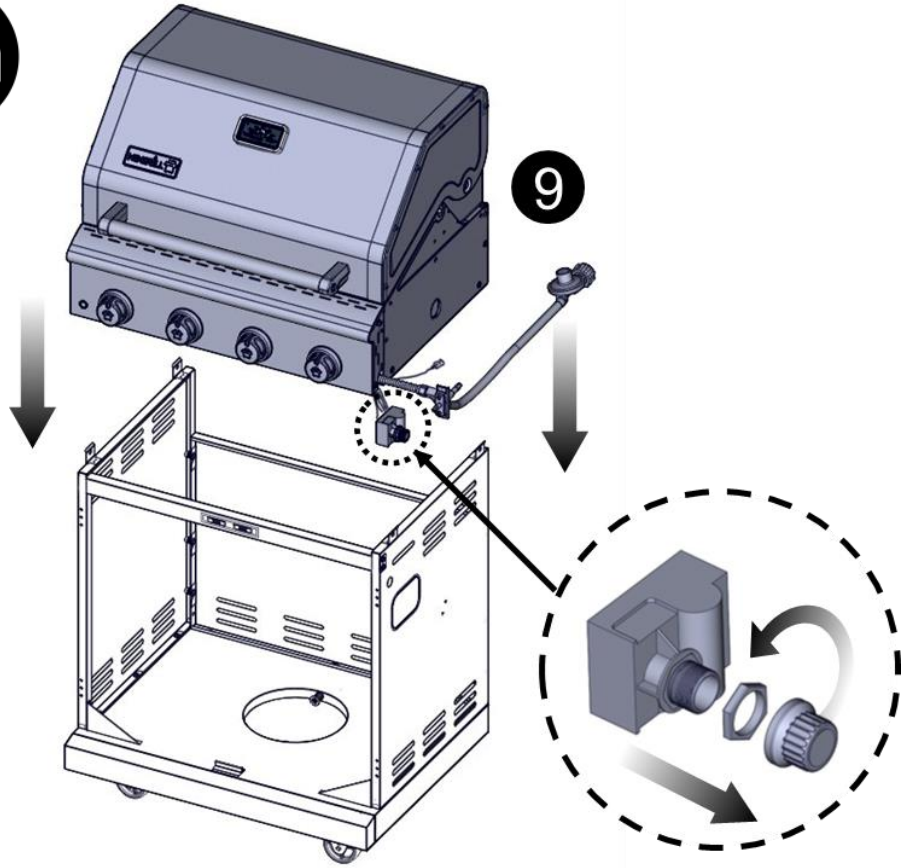
7



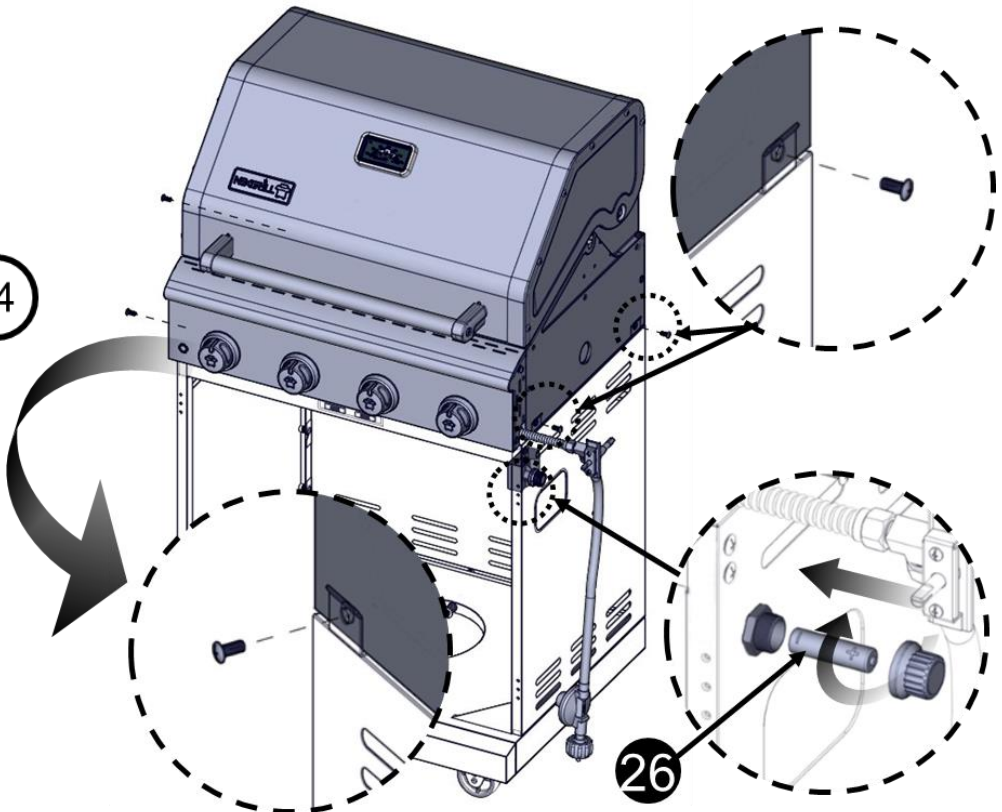
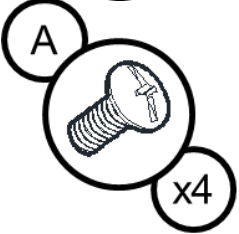
8

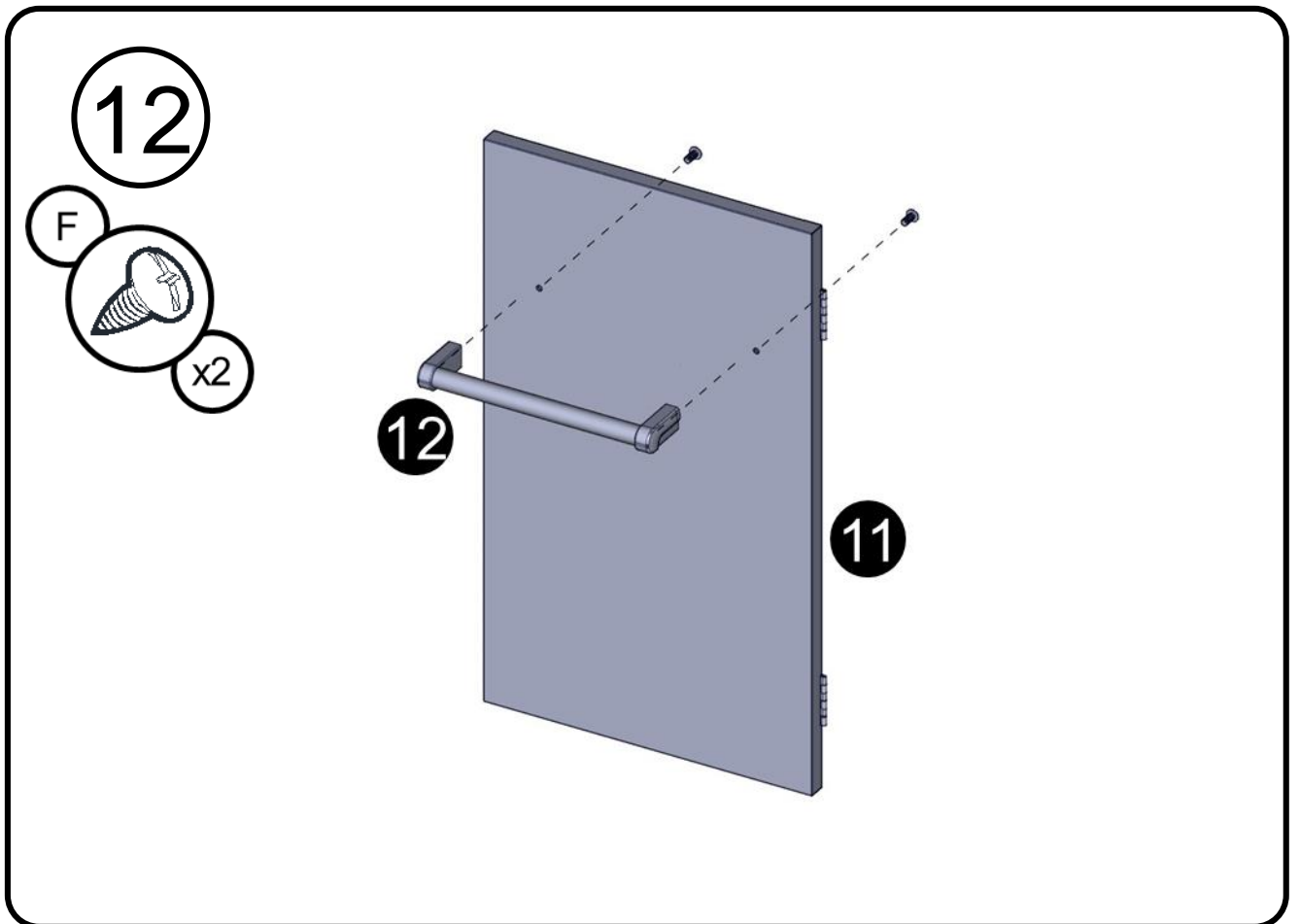
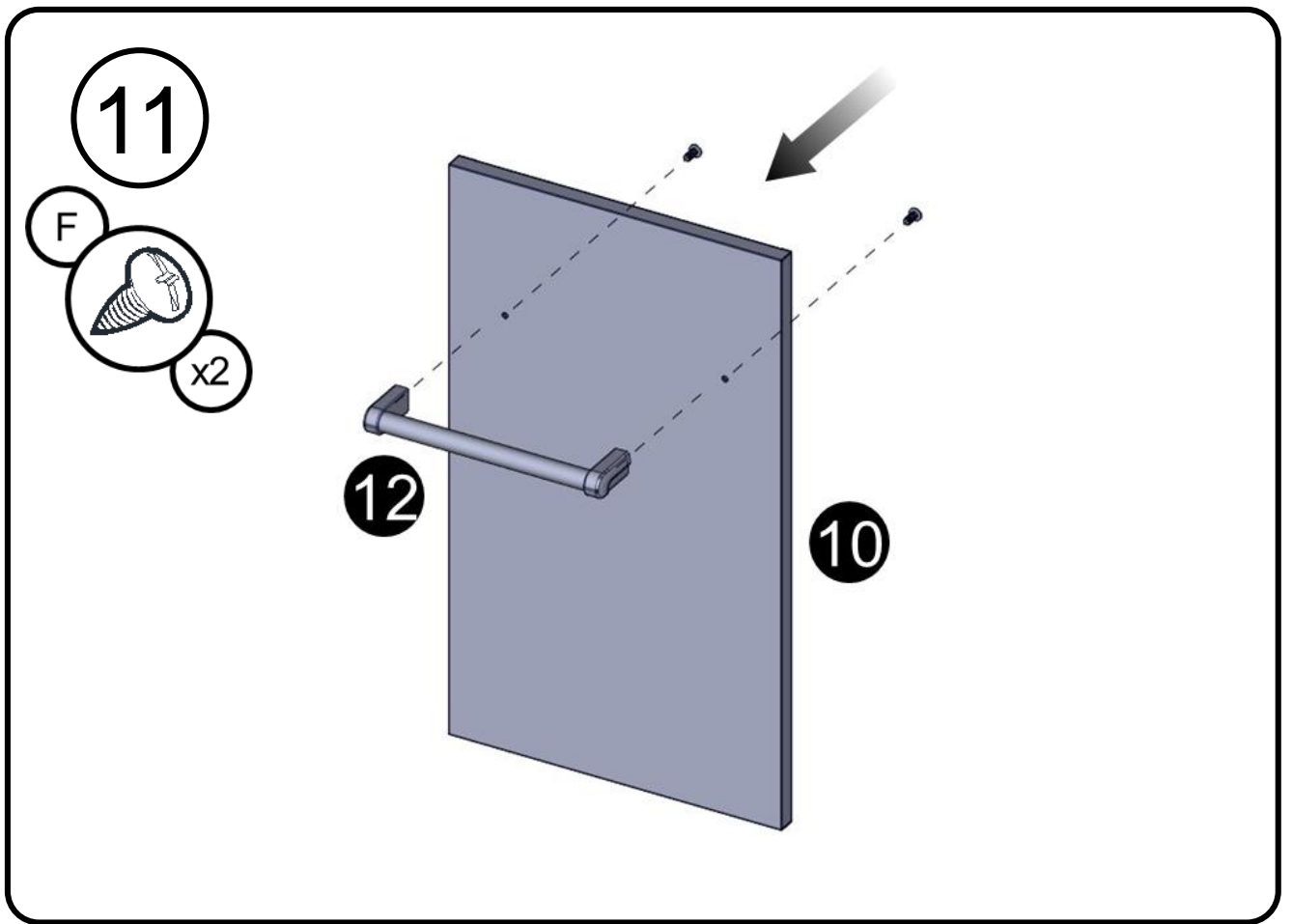


9

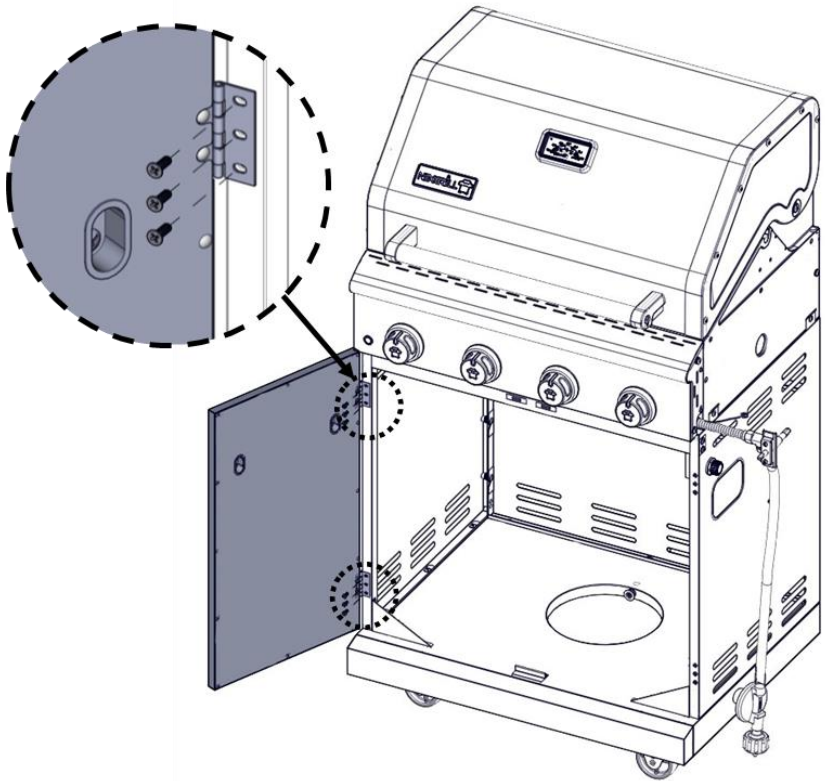
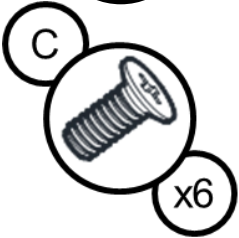


10

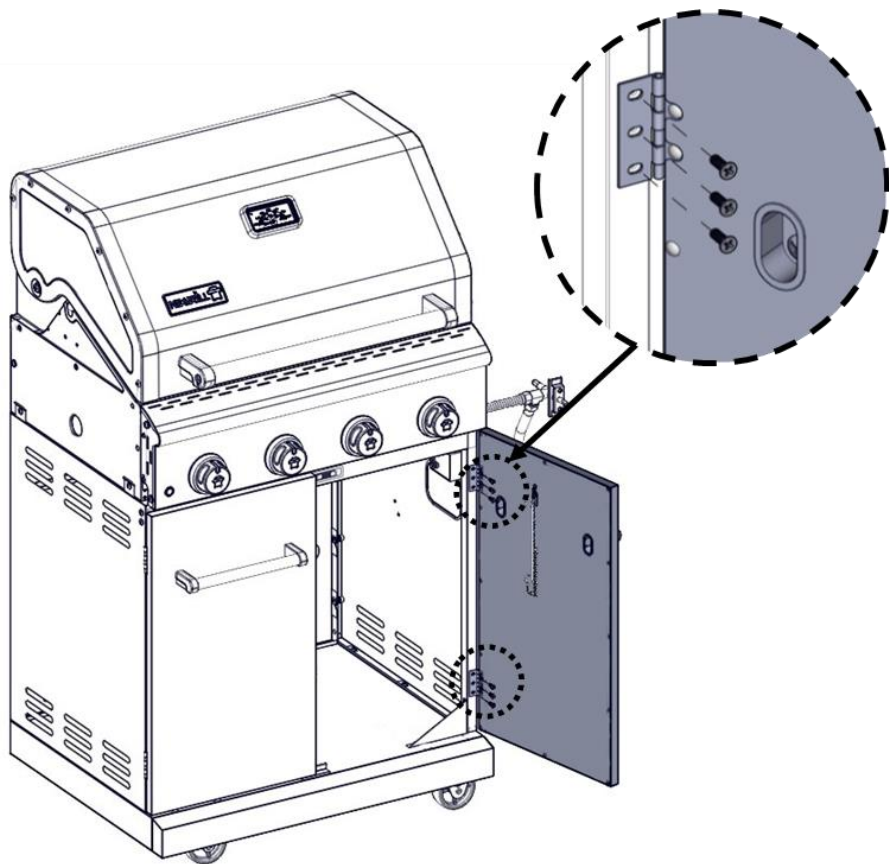
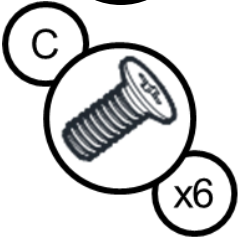




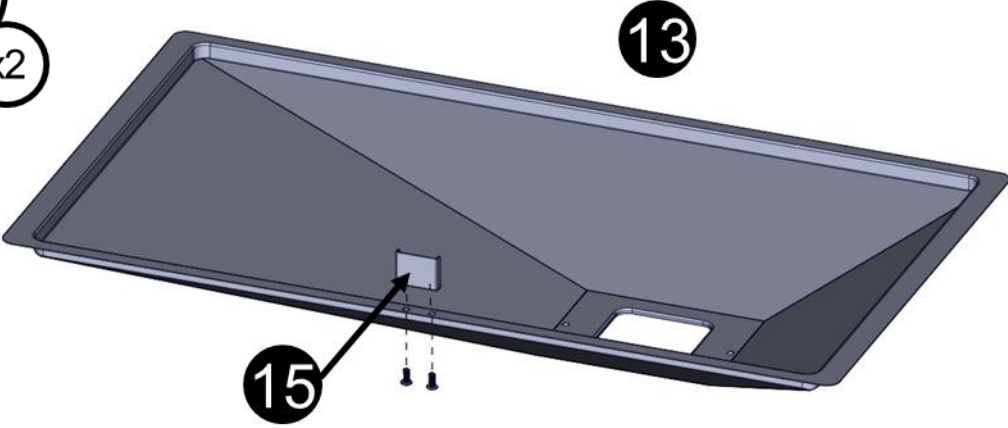
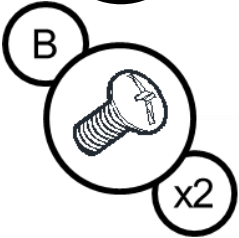
13



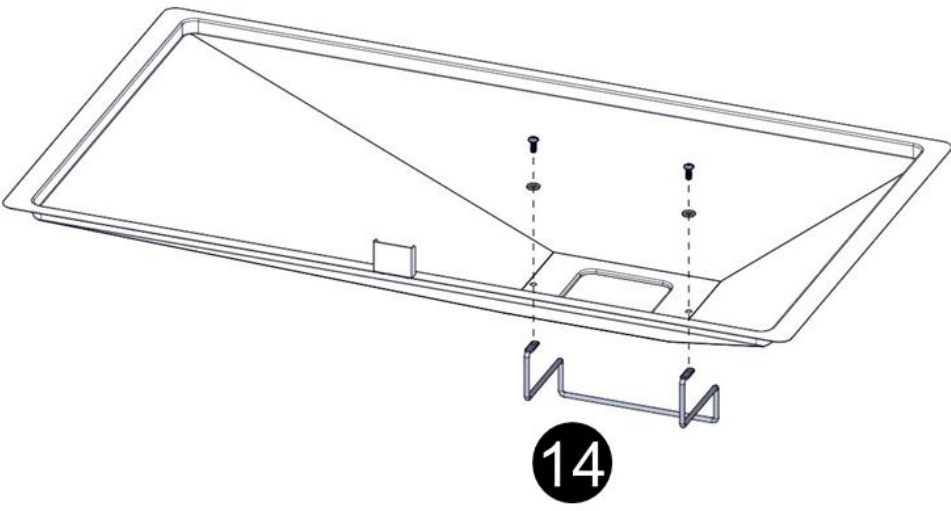
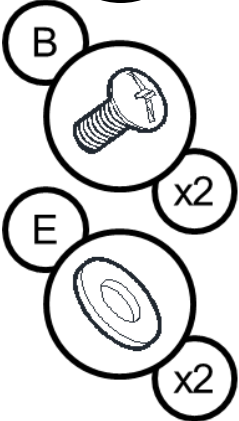
14



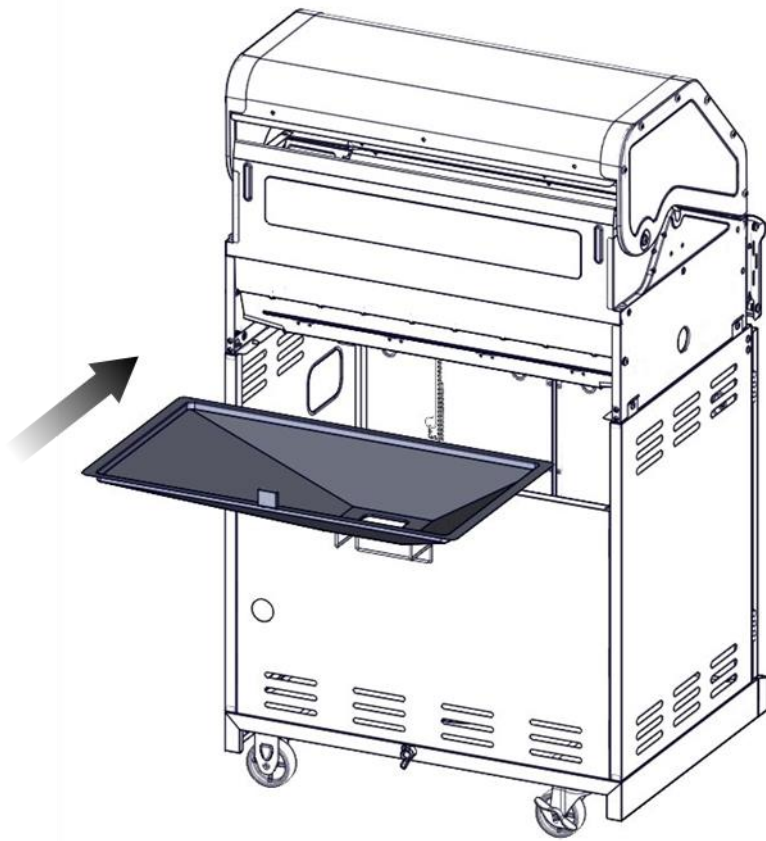
15



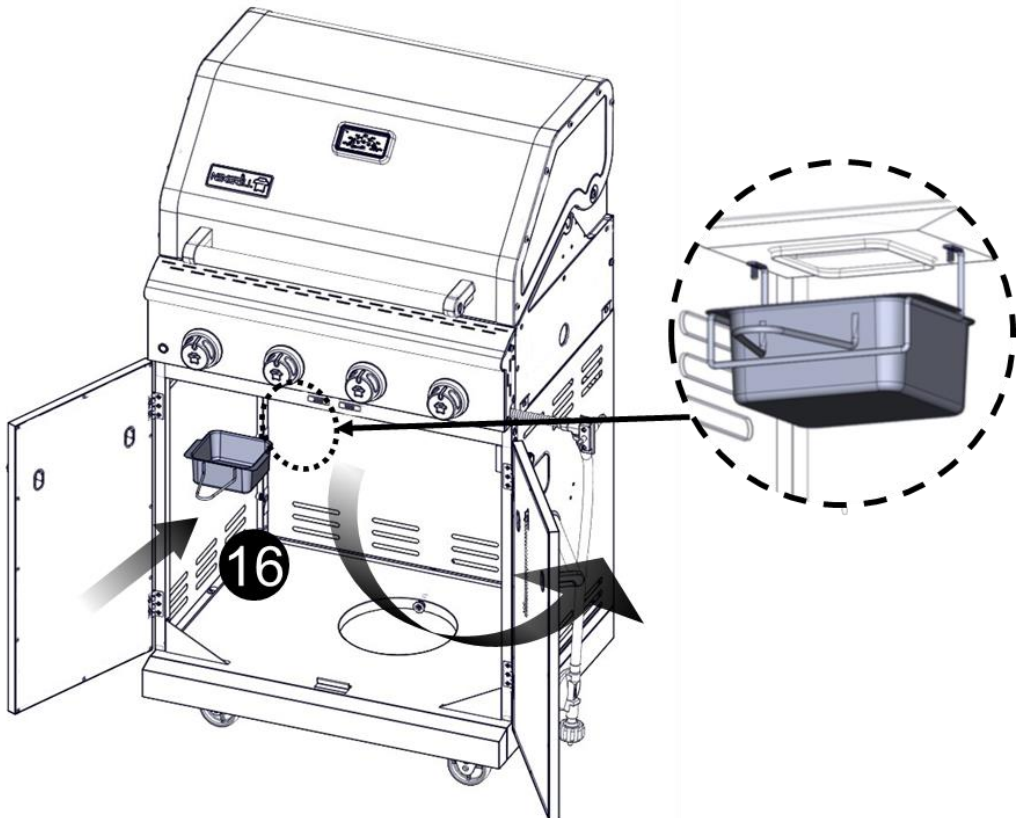
16

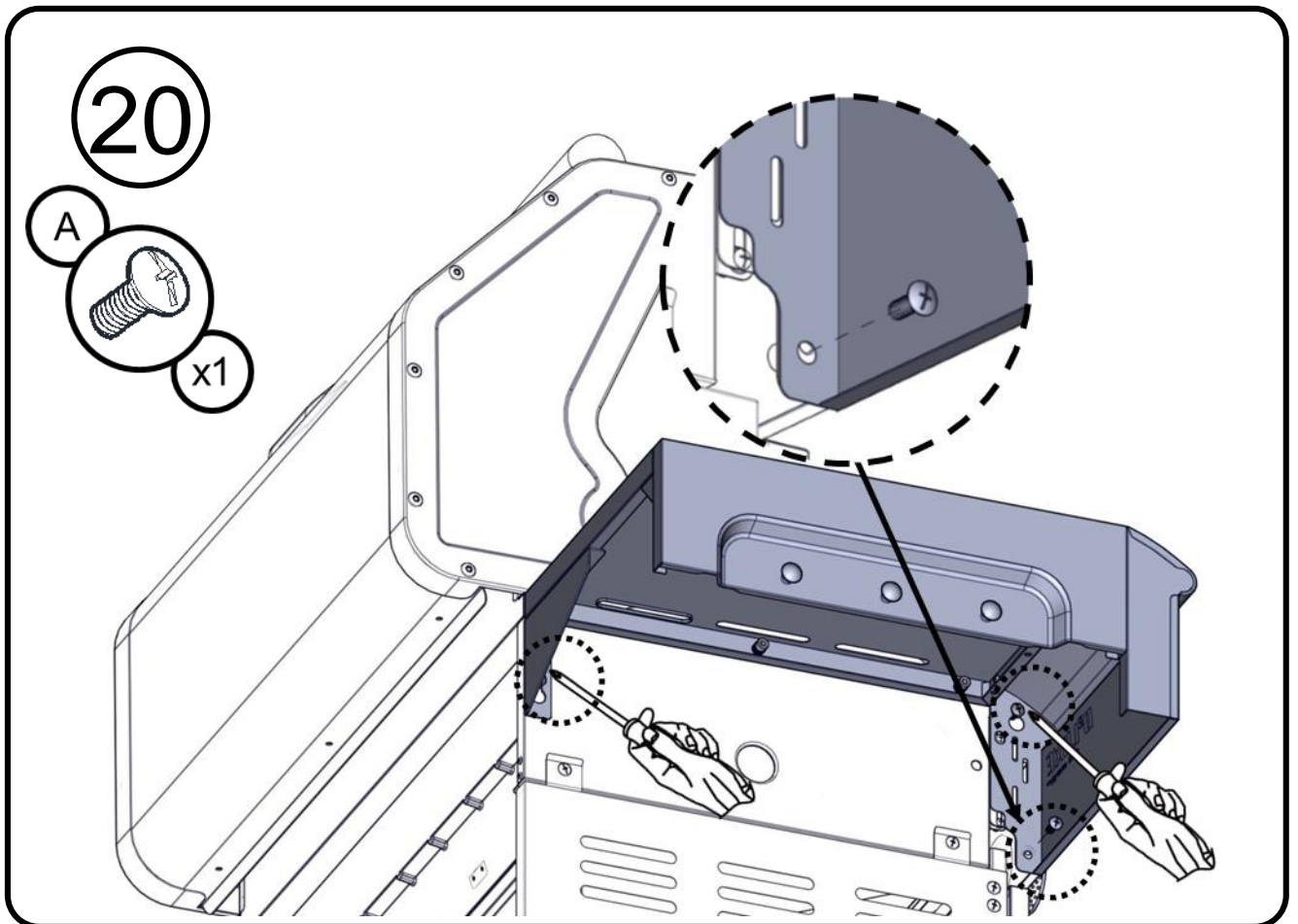
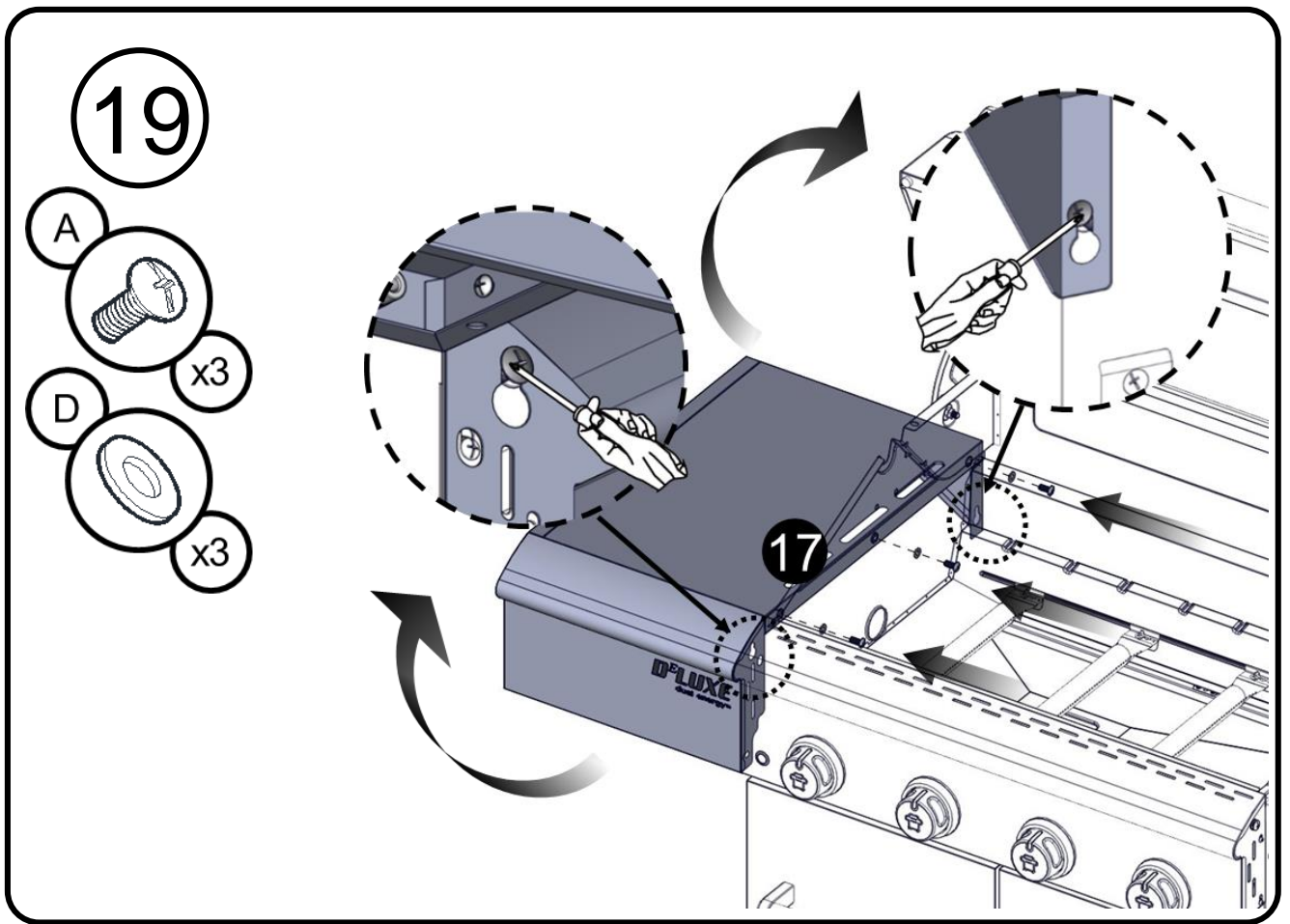


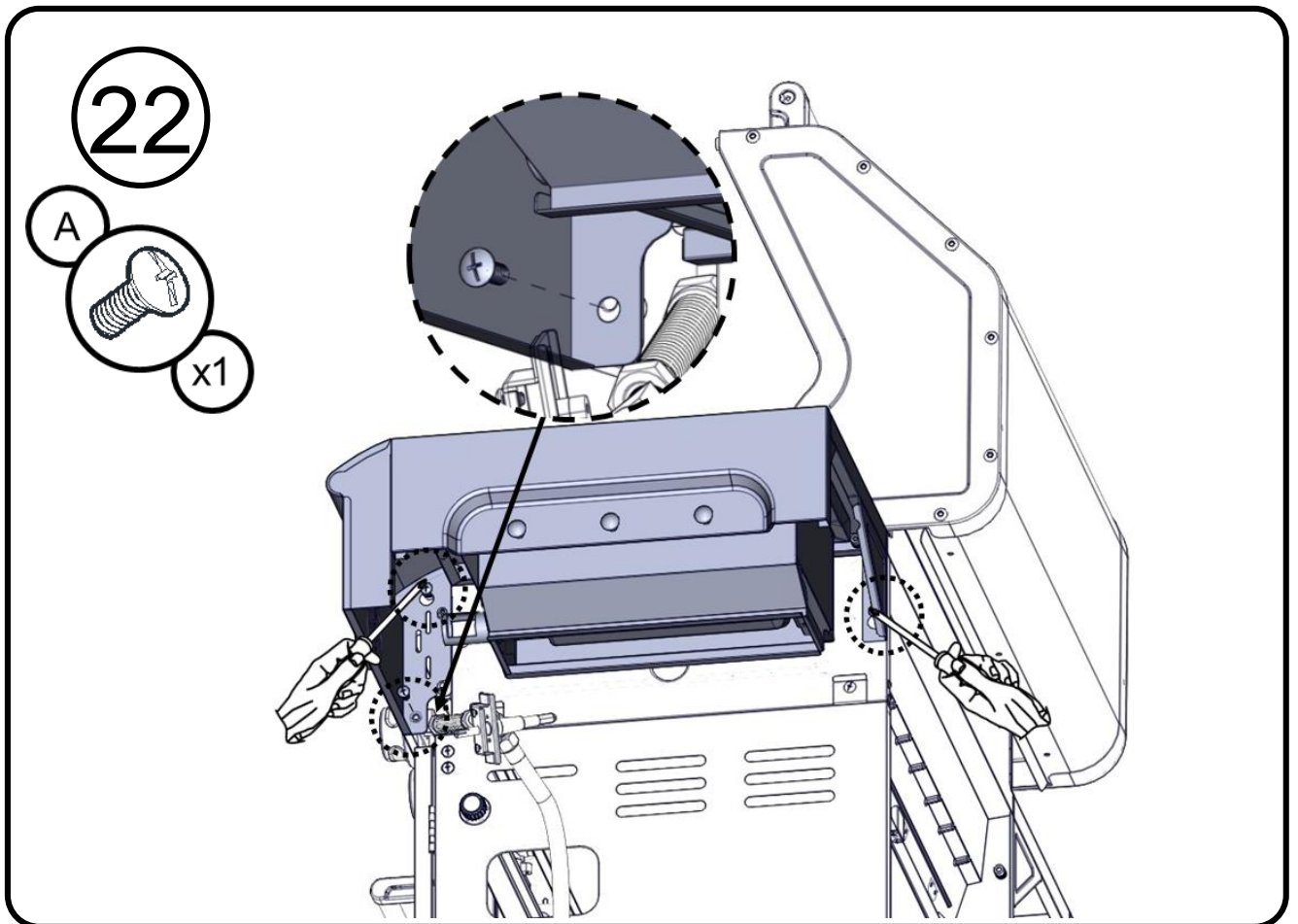
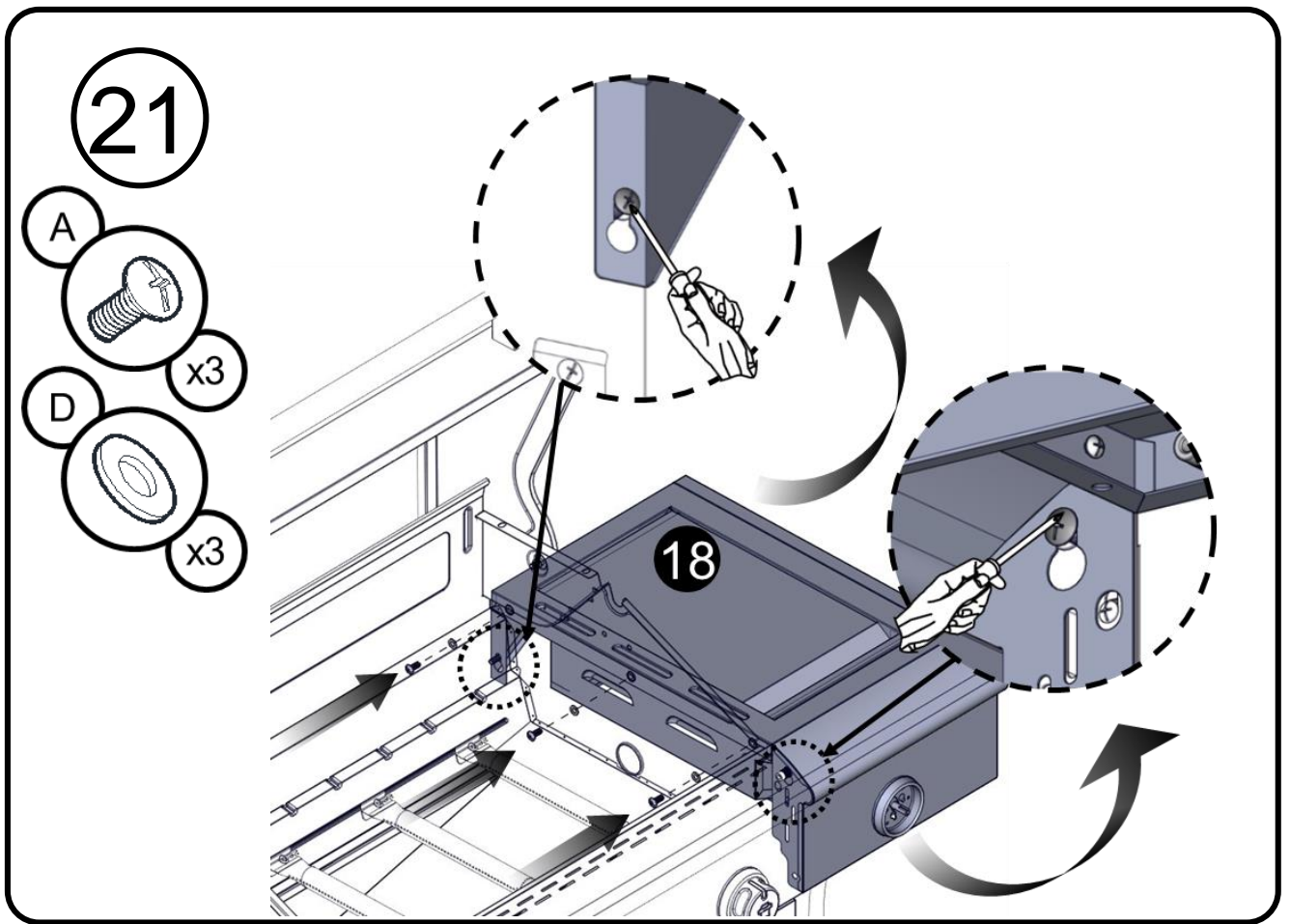
17



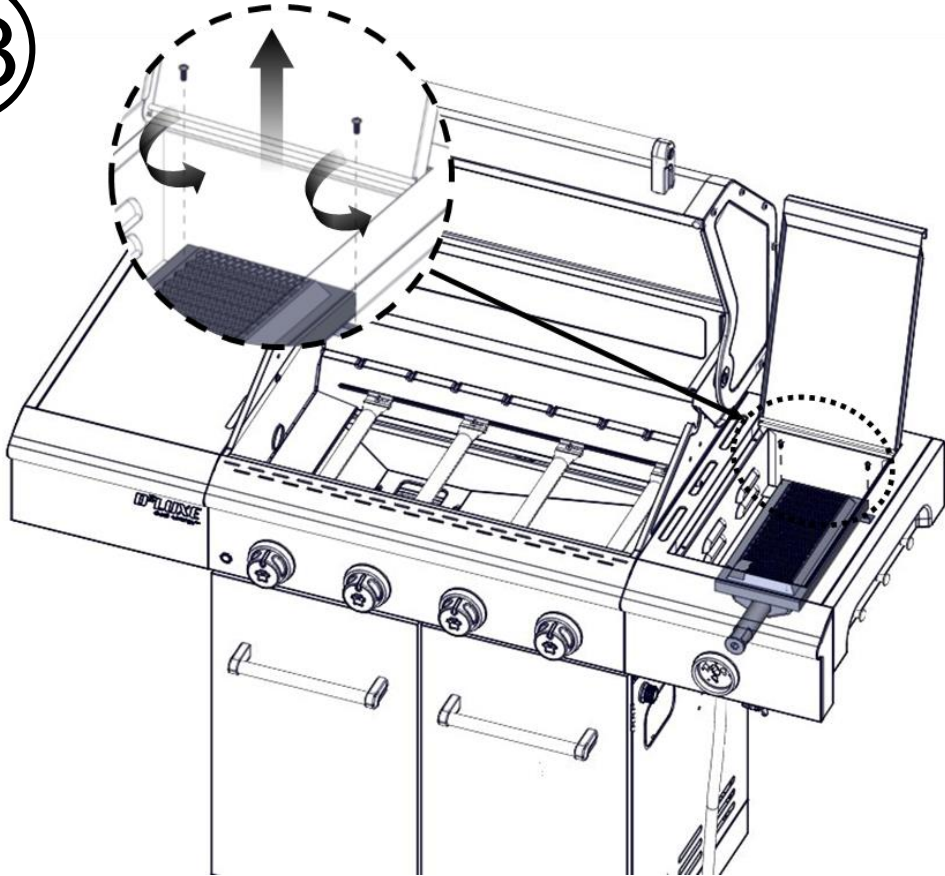
18



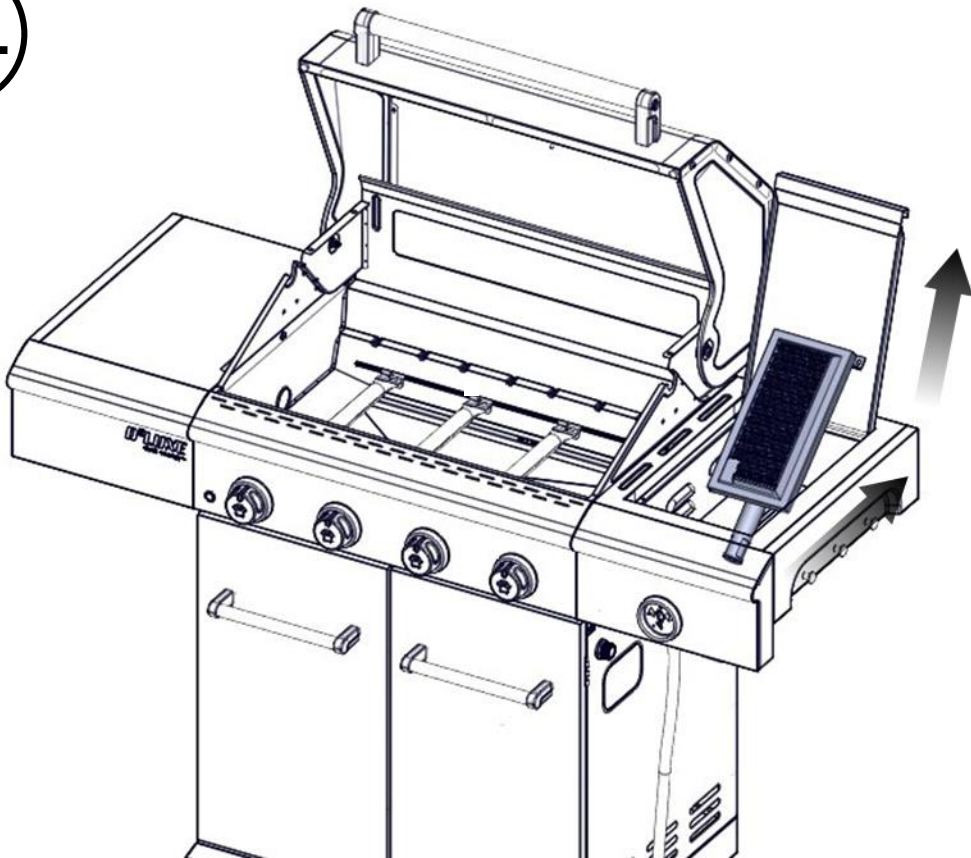




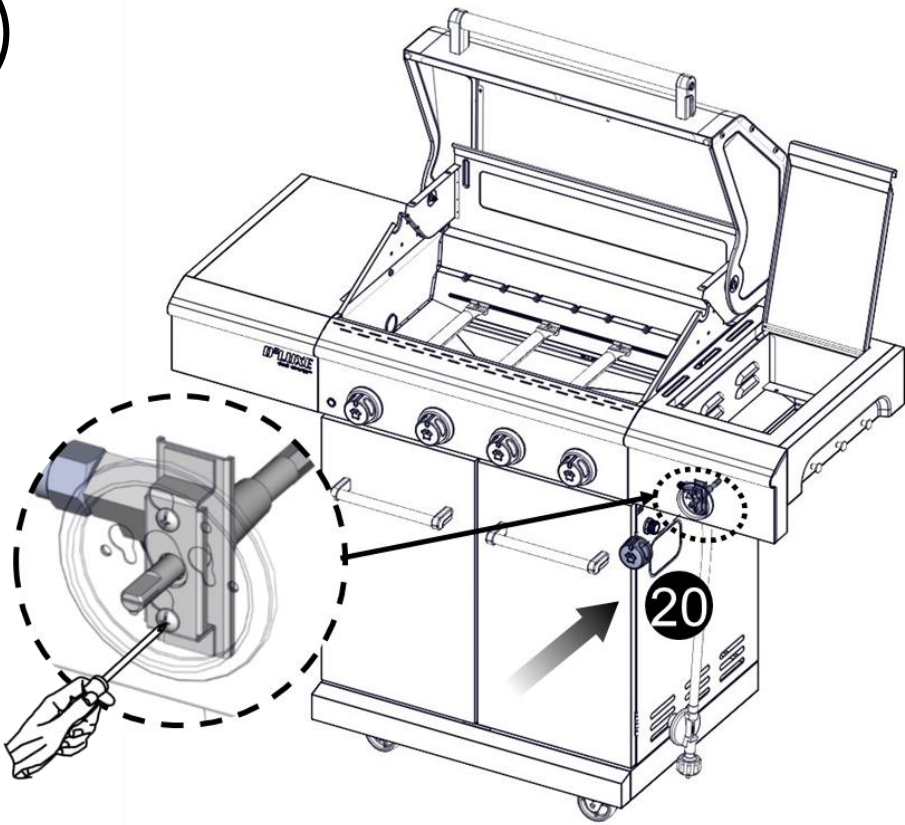
23



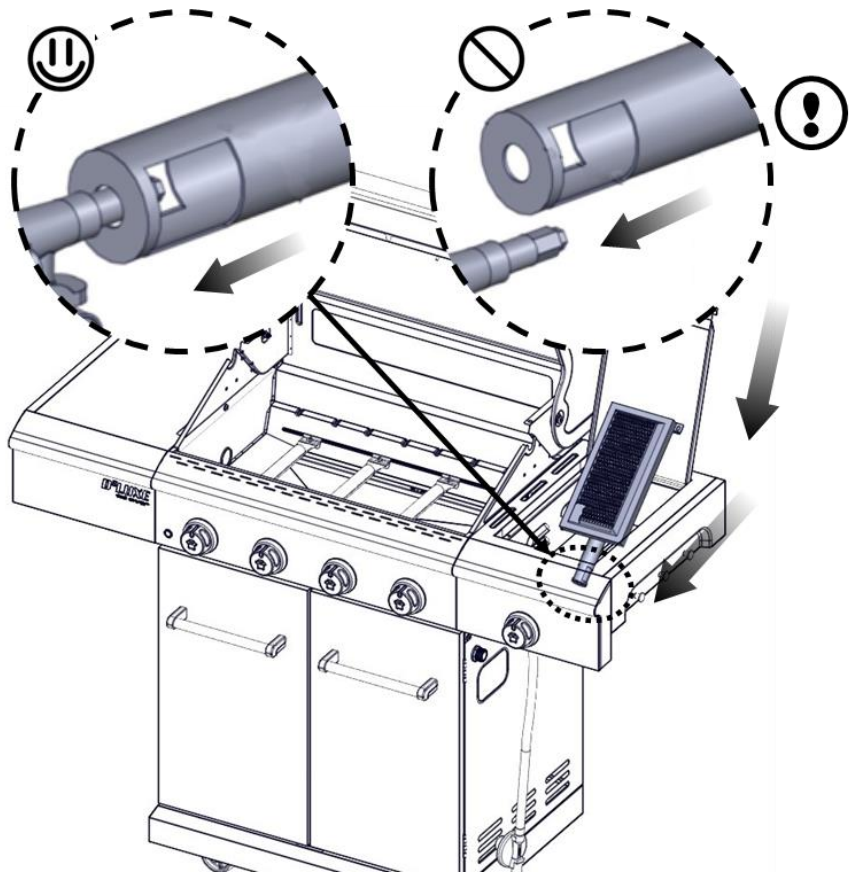
24



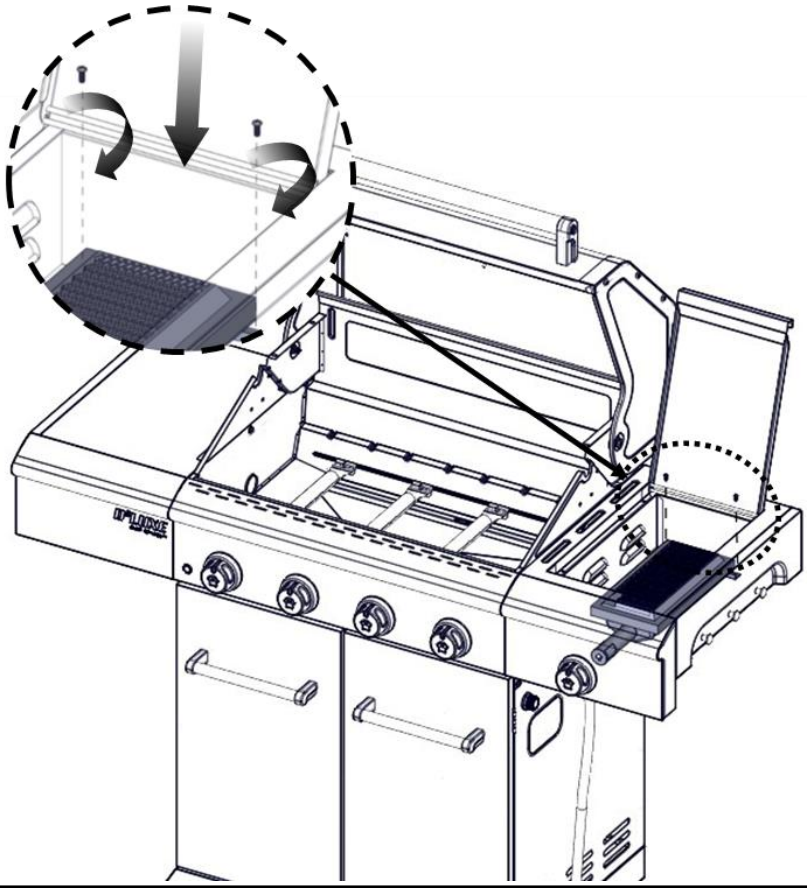
25



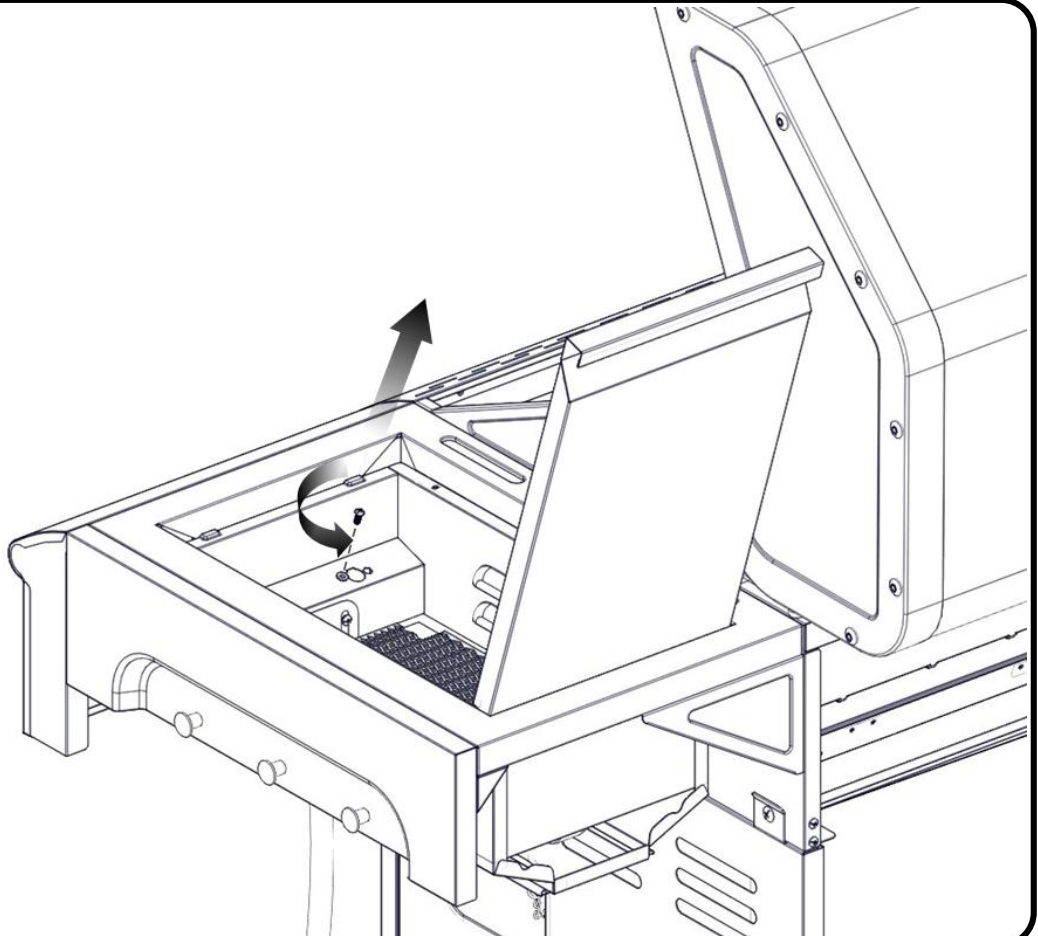
26 !

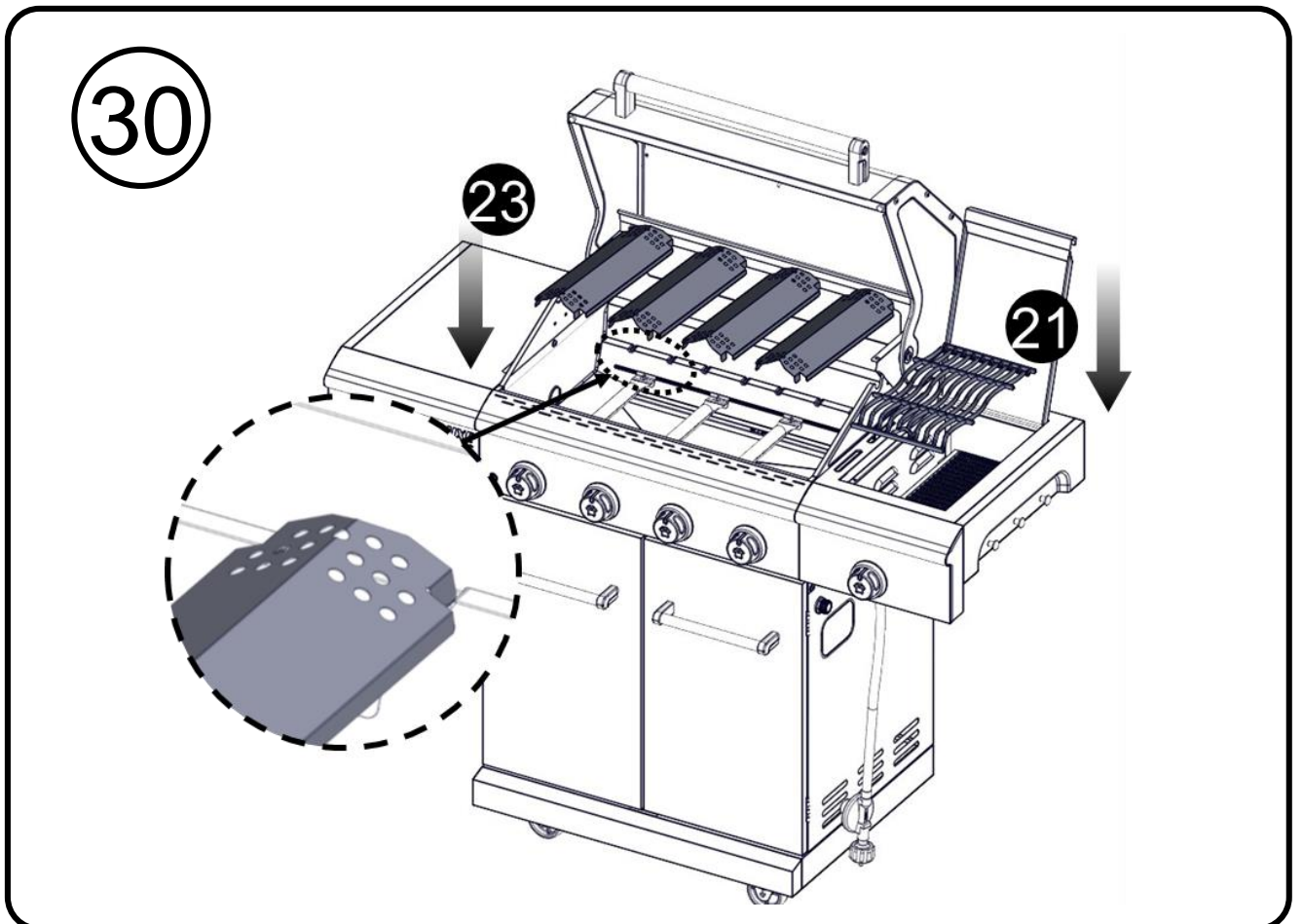
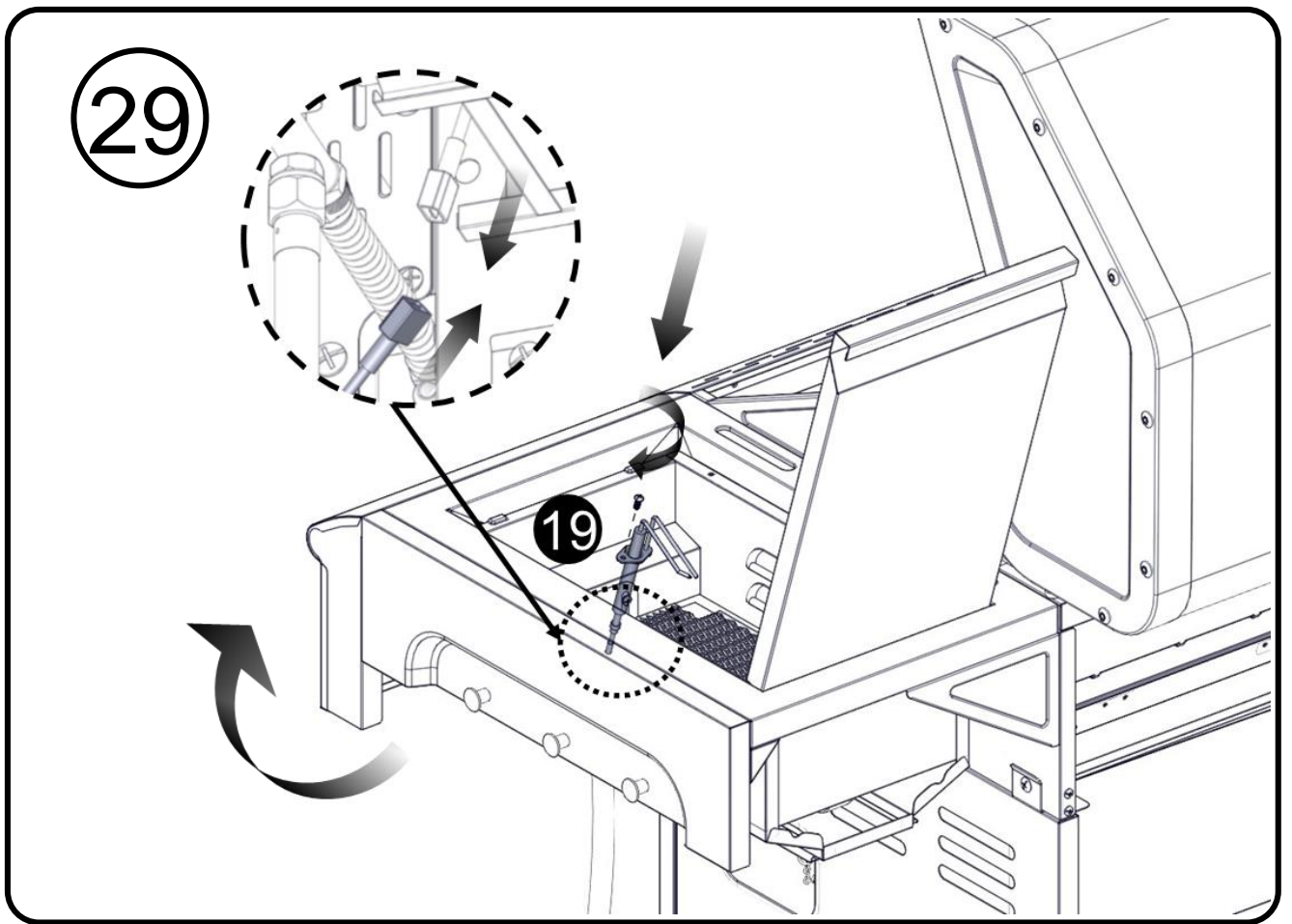


27

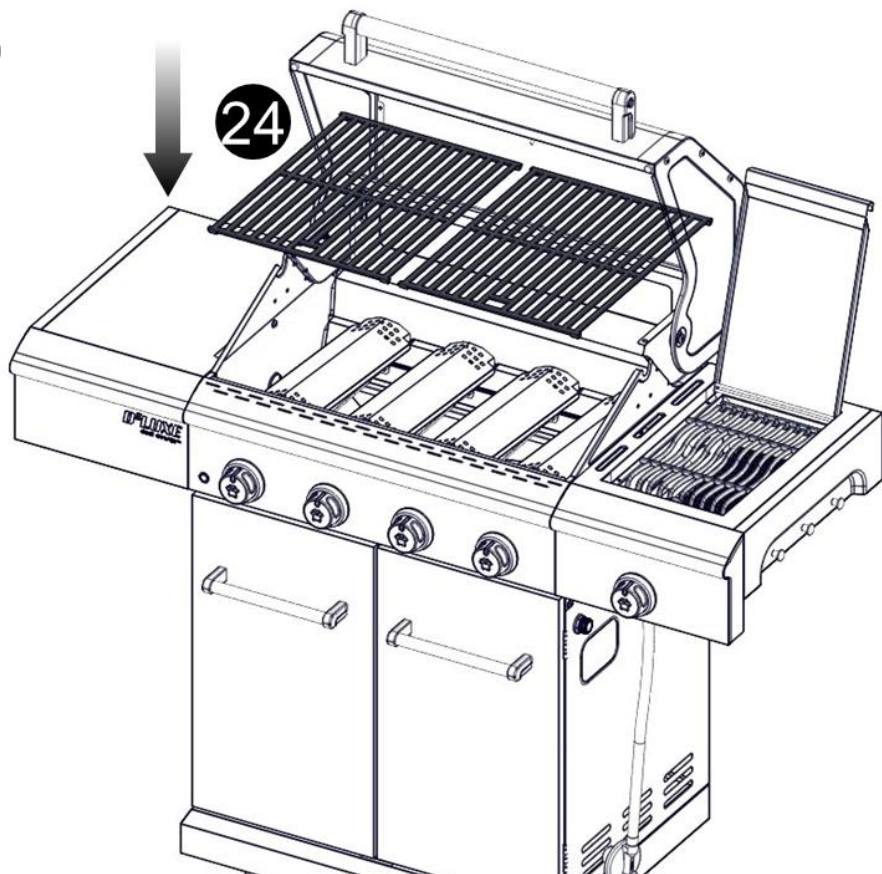


28

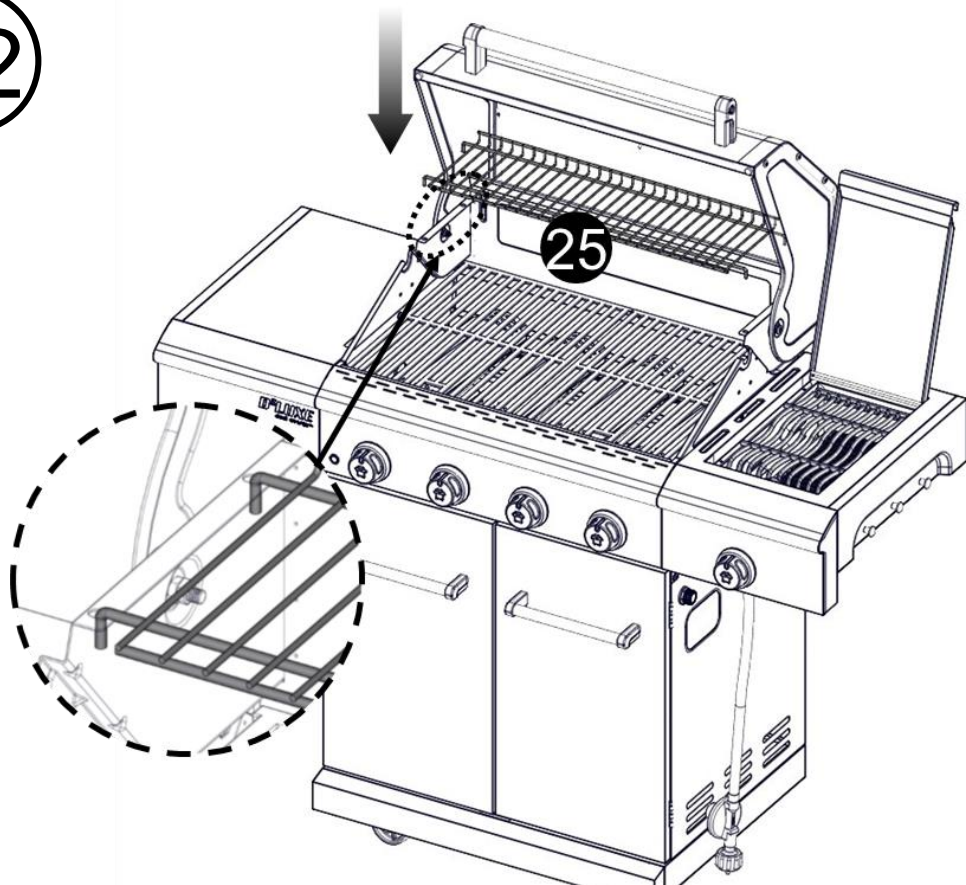




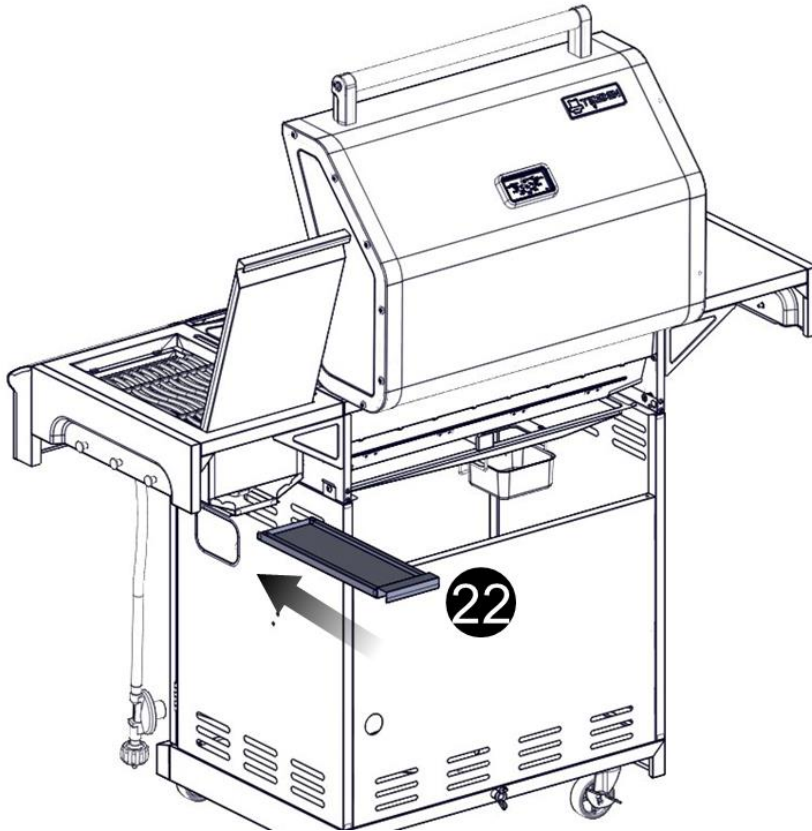
31



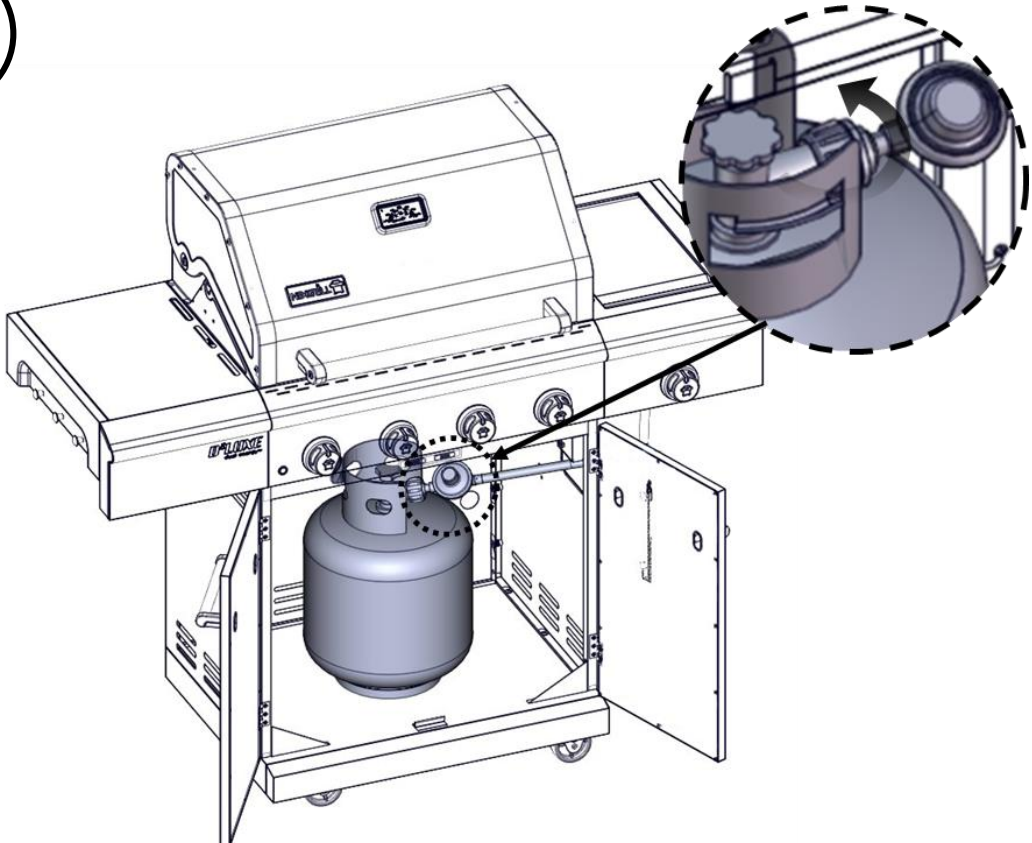
32



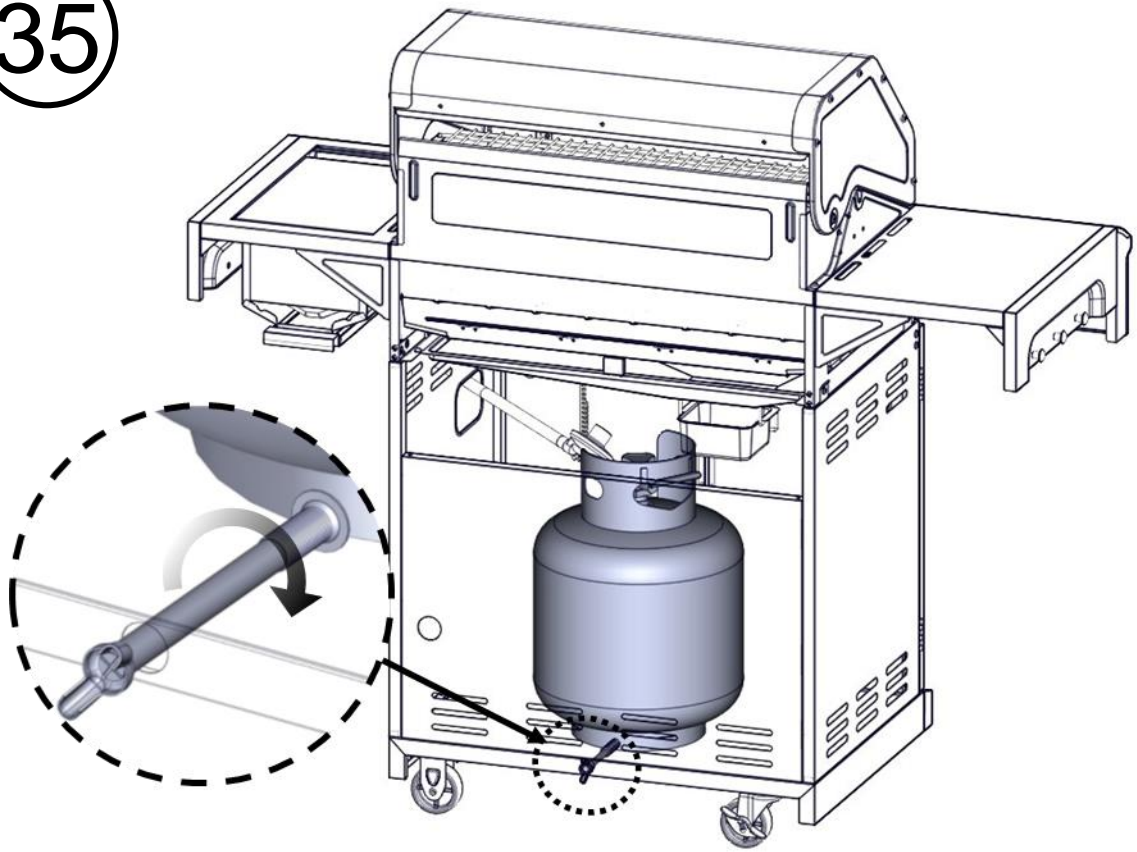
33



34



35



Distributed by:
Costco Wholesale Corporation
P.O. Box 34535
Seattle, WA 98124-1535
USA
1-800-774-2678
www.costco.com

Imported by / Importé par :
Costco Wholesale Canada Ltd.*
415 W. Hunt Club Road
Ottawa, Ontario
K2E 1C5, Canada
1-800-463-3783
www.costco.ca

* faisant affaire au Québec sous
le nom les Entrepôts Costco

Importado por:
Importadora Primex S.A. de C.V.
Blvd. Magnocentro No. 4
San Fernando La Herradura
Huixquilucan, Estado de México
C.P. 52765
RFC: IPR-930907-S70
(55)-5246-5500
www.costco.com.mx

Imported by / Manufactured for:
Costco President Taiwan, Inc.
No. 656 Chung-Hwa 5th Road
Kaohsiung, Taiwan
Company Tax ID: 96972798
449-9909 or 02-449-9909 (if cellphone)
www.costco.com.tw

Imported by / Distributed by:
Shanghai Minhang Costco Trading Co., Ltd
Unit 109, No 388, Lian You Road
Minhang District, Shanghai
China 201107
+86-21-6257-7065

Made In China / 中国制造