



CANDIDE 凱迪  
 PANACHE 帕納奇  
 安裝說明書  
 INSTALLATION INSTRUCTIONS

釉面陶瓷半柱掛牆式臉盆  
 VITREOUS CHINA SEMI-PEDESTAL LAVATORY  
 K-17652T/K-17653T/K-17656T/K-17657T

**BEFORE YOU BEGIN**      **安裝之前**

- Observe all local plumbing and building codes.
- Prior to installation, unpack the new lavatory and inspect it for damage. Return the lavatory to its protective carton until you are ready to install it.
- All information in these instructions are based the latest product information available at the time of publication. Kohler China reserves the right to make changes in product characteristics, packaging, or availability at any time without notice.

**IMPORTANT:** Make sure that the wall and floor are square and plumb to ensure proper installation.

- Kohler lavatory is made according to American National Standard that it can match the American lavatory fittings. Any other lavatory fittings may not fit for Kohler lavatory.

- 遵守当地所有给排水及建筑规定。
- 安装之前先开启新脸盆的包装，检查有无破损后放回纸箱中以免碰坏，到准备安装时才取用。
- 本说明书所含一切资料，均以印刷时所有的最新产品为准。科勒公司保留随时更改产品特性，包装或供应情况的权利，恕不另行通知。

注意：牆壁和地板必須方正、平整和水平。

- 科勒洗臉盆是根據美國標準製造的與美式洗臉盆配件相配。其它洗臉盆配件可能與之不相配。

**ORDERING INFORMATION**

CANDIDE Semi-Ped Lavatory .....	K-17652T	.....	K-17652T
Includes Basin .....	K-17151T	.....	K-17151T
Semi-Pedestal.....	K-17154T	.....	K-17154T
CANDIDE Semi-Ped Lavatory .....	K-17653T	.....	K-17653T
Includes Basin .....	K-17150T	.....	K-17150T
Semi-Pedestal.....	K-17154T	.....	K-17154T
PANACHE Semi-Ped Lavatory .....	K-17656T	.....	K-17656T
Includes Basin .....	K-17156T	.....	K-17156T
Semi-Pedestal.....	K-17154T	.....	K-17154T
PANACHE Semi-Ped Lavatory .....	K-17657T	.....	K-17657T
Includes Basin .....	K-17155T	.....	K-17155T
Semi-Pedestal.....	K-17154T	.....	K-17154T

**REQUIRED MATERIALS/TOOLS  
 (NOT SUPPLIED)**

- Level
- Drill with 6mm bit
- 14mm wrench
- Framing square
- Channel lock pliers
- Tape measure

**所需工具和材料  
 (不隨貨供應)**

- 水平尺
- 
- 
- 
- 
- 卷尺

# ROUGHING-IN

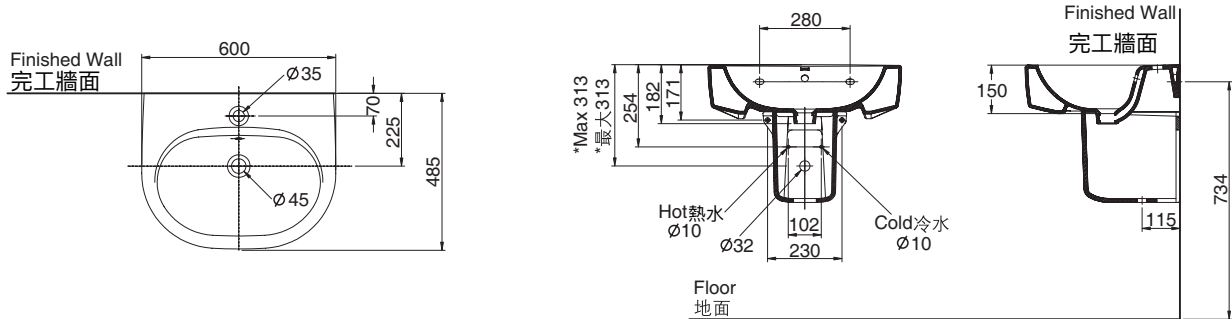
Reference Value  
參考值

UNIT: mm  
單位: 毫米

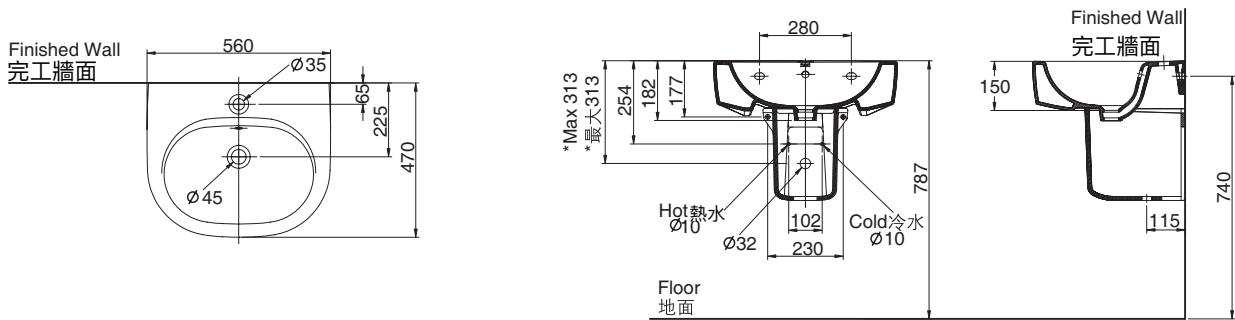
\*Suggested installation dimensions only for K-9071T & K-7119T. Please adjust if necessary.

· 僅為K-9071T和K-7119T的建議安裝尺寸,客戶可根據實際情況調整。

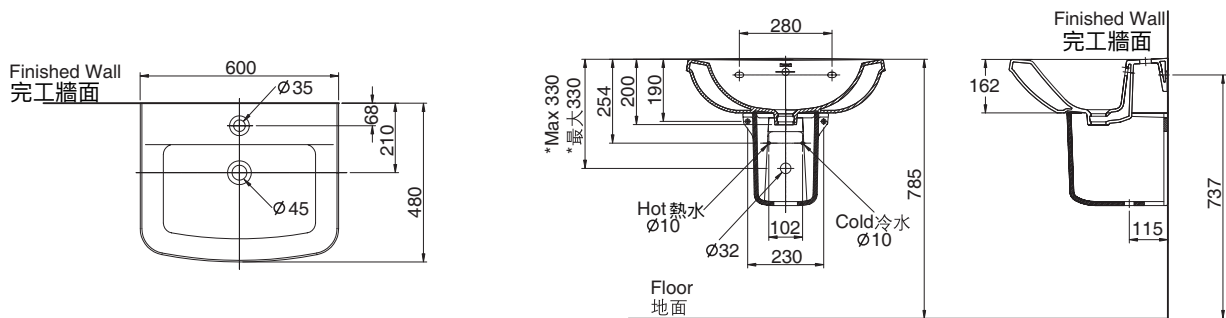
## K-17652T(17154T+17151T)



## K-17653T(17154T+17150T)



## K-17656T(17154T+17156T)



## K-17657T(17154T+17155T)

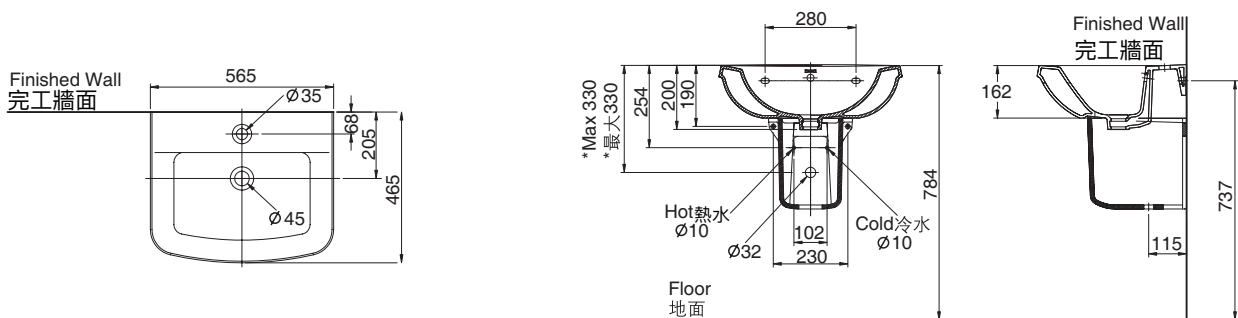


Fig.#1  
圖 1

Kohler reserves the right to change marked dimensions without prior notice.

## INSTALLATION

1. Make sure the basin is installed by a competent installer. 1.
2. Install the services. 2.
3. Make sure that the hot and cold water supply pipes and the waste are installed correctly. 3.

4. Hold the semi-pedestal in position and mark the position of fixing holes.

5. Drill the holes and secure the semi-pedestal in position with wall plugs and screws. Place cover caps over the heads of the screws.

6. Fit the tap and waste to the basin in accordance with the manufacturer's instructions.

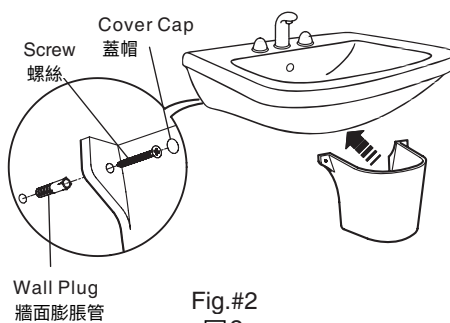


Fig.#2  
圖2

7. Apply silicone sealant to the back of basin (optional).

7.

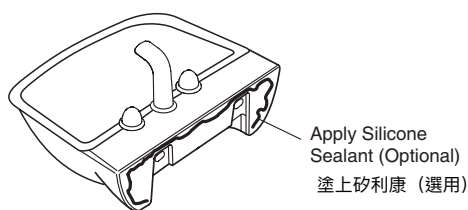


Fig.#3  
圖3

8. Fit the basin in position over the semi-pedestal.
9. Adjust the offset nut until the basin is level.
10. When the basin is level, fit the washers and the nuts and secure in place.
11. Remove any excess silicone sealant.
12. Place the overflow cover over the overflow hole in the basin (if supplied).

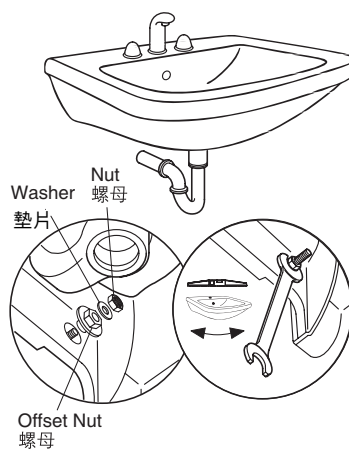


Fig.#4  
圖4

## IMPORTANT CONSUMER INFORMATION

### CARE AND CLEANING



**Caution! Risk of product damage.**



Many cleaners contain abrasive and chemical substances, and should not be used for cleaning stainless steel, enamel, plated or plastic fittings.

These finishes should be cleaned using a mild washing up detergent or soap solution, rinsed and then wiped dry with a soft clean cloth.

To keep your lavatory looking new, make sure you rinse it out thoroughly after each use. **DO NOT USE ABRASIVES** on this product, as they will scratch and ruin the surface. Stubborn stains, paint, or tar can be removed with turpentine or paint thinner.

Do not use the product in the water below 0°C.



**CAUTION:** Please do not use hard materials (like scouring pad) to clean product surface, especially the product logo.



**警告：**請勿使用鋼絲球等硬質材料擦洗產品表面，特別是產品商標處。