

# Installation Guide 安裝說明

Acrylic Bath W/O Apron  
無裙壓克力浴缸

SHANGHAI KOHLER LTD., NO.368, MIN LE ROAD,  
FENG XIAN DISTRICT, SHANGHAI, CHINA POST CODE 201419  
上海科勒有限公司 上海市鳳賢區民樂路368號 郵編:201419

## Important Information

- Please observe local plumbing code.
- Please read these instructions carefully to familiarize yourself with the required tools, materials, and installation sequences. Follow the sections that pertain to your particular installation. This will help you avoid costly mistakes. In addition to proper installation, read all operating and safety instructions.
- All information is based on the latest product information available at the time of publication. Kohler Co. reserves the right to make changes in product characteristics, packaging, or availability at any time without notice.
- These instructions contain important care, cleaning, and warranty information-**please leave these instructions to customers for future reference.**
- Uncrate and inspect bath for damage. Leave all materials in carton prior to fixture construction to prevent damage or component from missing.
- Warranty does not cover damage to bath caused in transit or installation.

## Installation Requirements

### A. Tools Required

- Adjustable pipe wrench
- Rule
- Level
- Safety shoes
- Safety glasses
- Square
- Pliers
- Utility knife

### B. Materials Required

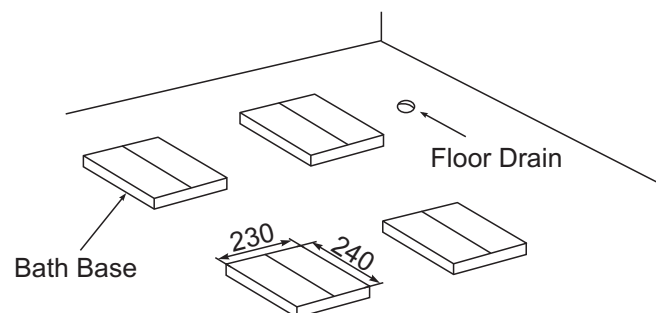
- Plumbers putty
- Wall coverings, as necessary
- Silicone sealant
- Gypsum cement (optional)
- Construction adhesive (optional)
- Protective covering for bathtub
- Nails

## Before You Begin

### A. Subfloor Preparation

Check the flooring under the bath. **Make sure the subfloor is level. It is strongly recommended to prepare waterproof layer for the subfloor!**

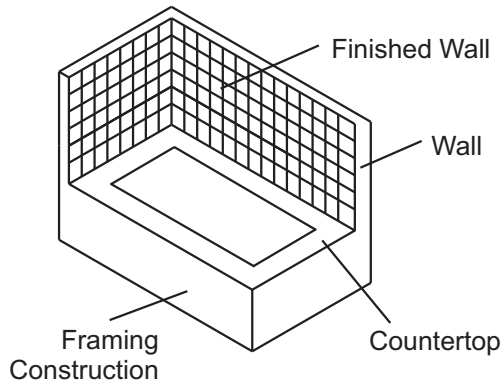
**It is strongly recommended to construct bath base depending on the feet position of your bath. And the base shall be larger than 240 × 230mm. The base height shall depend on the chosen drain.**



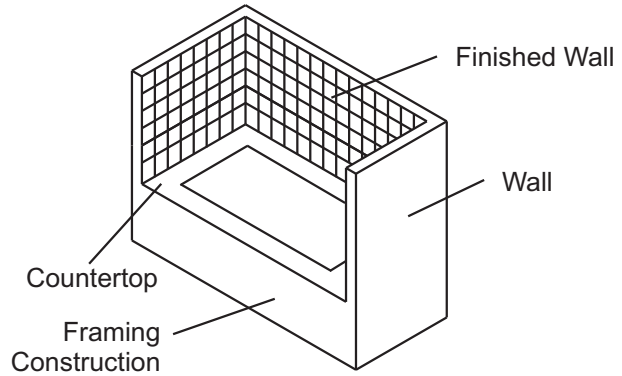
## B. Bath Area Construction Preparation

Possible framing arrangements are illustrated below. Use the framing construction appropriate for your particular bath model. Some modifications may be needed for other types of construction, if preferred.

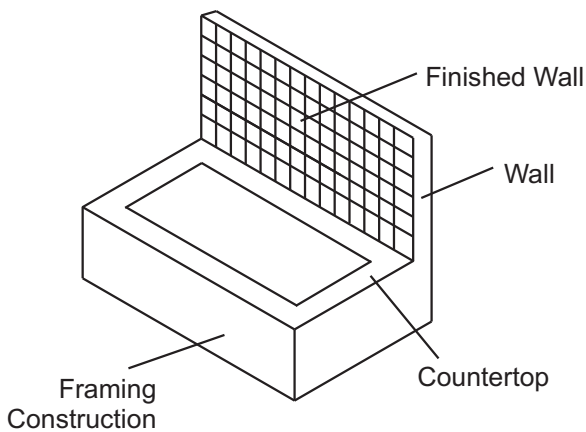
### 1). Corner Installation



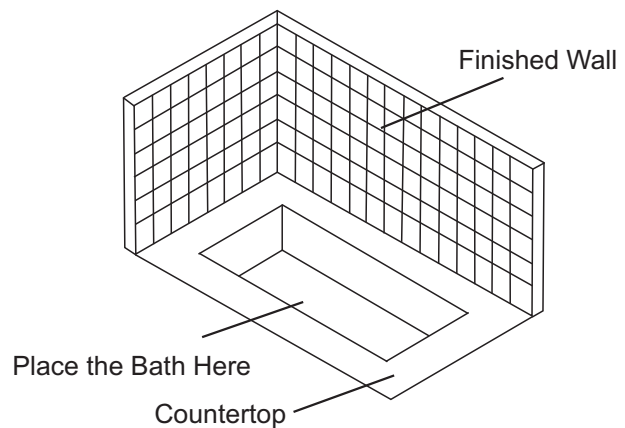
### 2). Recessed Installation



### 3). Peninsular Installation



### 4). Sunken Installation



## C. Countertop Preparation

Prepare the countertop as per bath outline. Which defines the required dimensions.

## D. Plumbing Preparation

Position inlet supplies and outlet supplies according to rough-in dimensions. Cap the supplies and check for leaks.

## E. Other Preliminary Work

**NOTE:** The protective film must be removed from around the waste outlet, overflow and water fender prior to installation in order to make a watertight seal at these points possible.

**NOTE:** Position a protective covering or similar material in the bottom of the unit. Be careful not to scratch the bath surface.

**DRILLING:** Small holes can be drilled with a twist drill, but the cutting edge **MUST** be backed off with an oil stone (the sharp edge dulled). Large holes must be drilled with a hole saw. Maximum drill size-12mm. Drill speeds-6mm x 1800 RPM-12 mm x 900 RPM.

**NOTE:** Always drill from acrylic surface.

**CUTTING:** If for any reason the acrylic requires cutting, use a fine tooth hacksaw and proceed with caution. Edges can be smoothed with a second-cut file and medium-fine sandpaper. If the surface of the acrylic should happen to be damaged, it can be restored by polishing with an abrasive cleaner . Deep scratches can be removed by rubbing with 600 grade wet & dry

## Install Fixture and Accessories

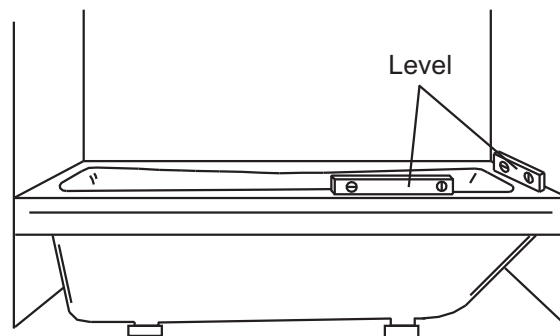
### A. Accessory Installation

Please install such accessories (if any) as grip, drain, pillow or towel holder before bath installation. See separate accessory installation instructions for accurate method.

**Note:** Drain access must be installed near drain for future maintenance.

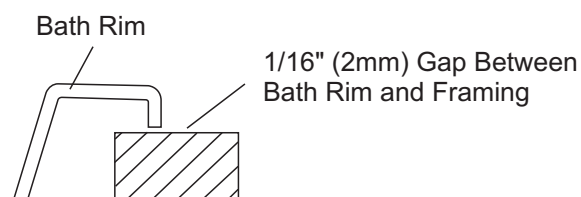
### B. Bath Set-In

**NOTE:** Apply a generous amount of fine construction mortar, or similar material, to the support feet and any shims used. Set the bath into the installation. Make sure the unit is horizontally and vertically level, and is resting on all support feet.



**Note:** Use adjustable feet (if any) to adjust the bath to level.

**⚠ WARNING:** Do not hang the bath by the rim. Bath rim is shown in the right figure.



## C. Install the Plumbing

**Note:** Avoid damage to the bath bottom and floor as much as possible. Make waterproof treatment to all outlet connections!

1). Install the faucet and fittings. Open the hot and cold water valves, and check the supply connections for leaks.

**Note:** An access panel will simplify future maintenance.

2). Fill water into the bath and let it discharged to check the drain connections for leaks.

3). When the bath is securely positioned, connect the drain to the trap. See Fig. A. B.C.D

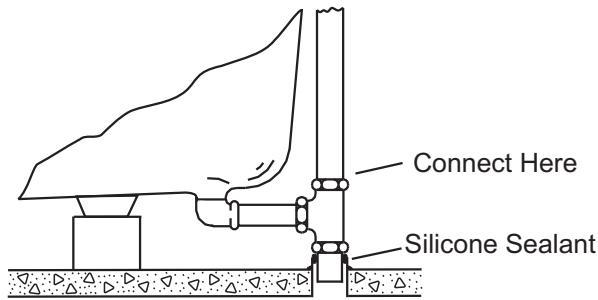


Fig.#A

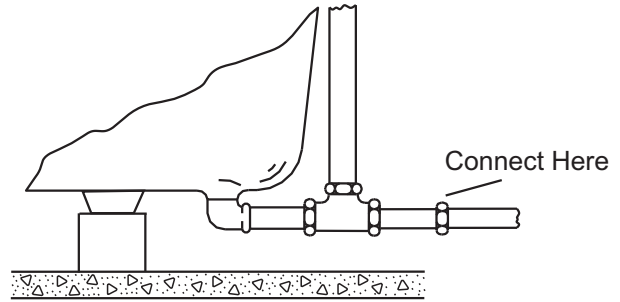


Fig.#B

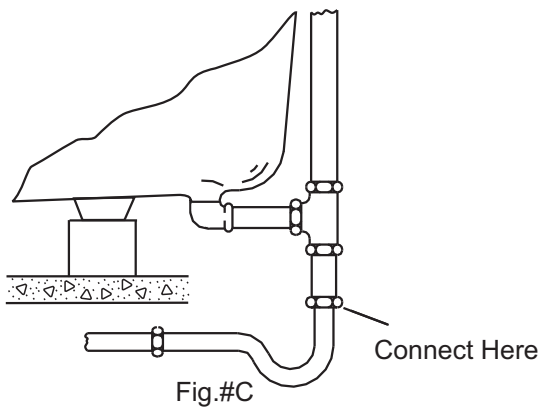


Fig.#C

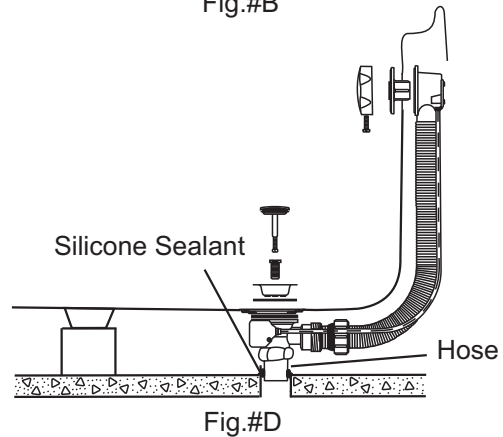
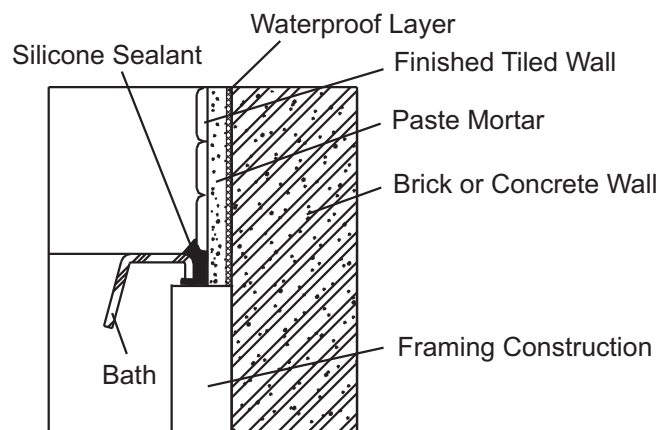
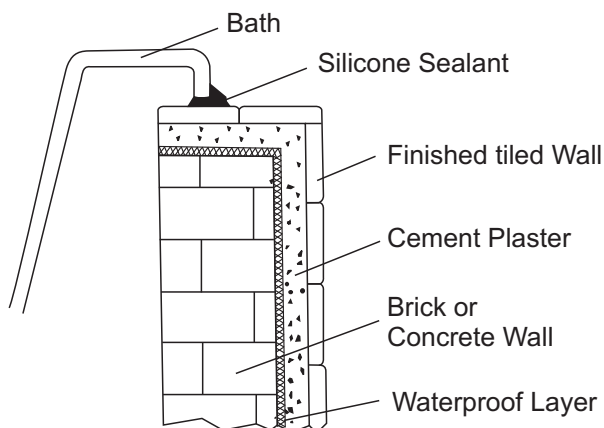


Fig.#D

## Complete Finished Wall

Complete decoration, such as sticking the tile or marble into place.

It is strongly recommended to use sealant that has been hardened under room temperature.



## Clean-up After Installation

When cleaning up after installation, do not use abrasive cleansers as they may scratch and dull the surface. Use warm water and liquid, non-abrasive detergent to clean the surface.

Stubborn stains, paint, or tar can be removed with mineral spirits. Do not use cleaners containing solvent. Plaster can be removed by scraping with wood edge. Do not use metal scrapers, wire brushes, or other metal tools. One of the powder type detergents may be used on a damp cloth to provide mild abrasive action to the residual plaster.

## Cleaning and Care

Cleaning Acrylic Surfaces: Do not use abrasive cleansers on any acrylic surfaces, as they will scratch and dull the surface. Wipe out the bath after each use to prevent a build-up of soap and scum.

If the acrylic surface becomes dull, an automotive type rubbing compound \*may be used on the unit, followed by an application of paste wax.

\*We recommended:

Rubbing compound mequiars mirror glaze 28 metal polish (import product) or "green oil".

## 重要信息

- 請遵守當地的衛生管道施工規範。
- 請仔細閱讀此說明書以熟悉所需要的工具、材料及安裝順序。遵循適合您的特定安裝要求的各項內容，避免昂貴的損失。除了要正確安裝外，還應閱讀操作及安全說明。
- 所有的資料是按最新出版的產品資料編寫而成。科勒公司保留任何時候無須通知即可改變產品特性、包裝或產品可供類型的權利。
- 說明書包括重要的安裝、清潔及保養方面的內容，請將說明書交給用戶妥善保管以備將來查詢。
- 打開包裝箱並檢查浴缸是否損壞，未安裝浴缸時將所有的材料都留在箱內，以防止損壞或零件丟失。
- 搬運或安裝過程中所造成的損壞，不能獲得保修。

## 安裝要求

### A. 所需工具

- 管道扳手
- 刻度尺
- 水平儀
- 安全鞋
- 安全眼鏡
- 直角尺
- 鉗子
- 多用工具刀

### B. 所需材料

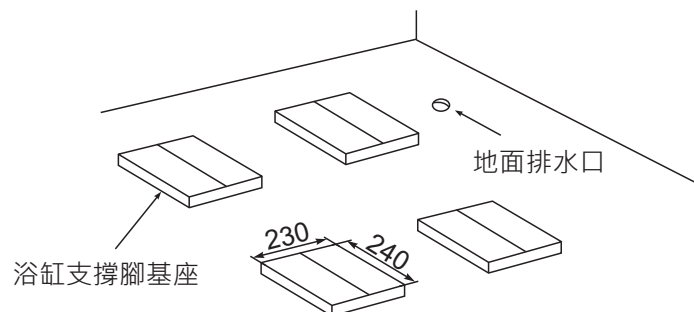
- 管道用油灰
- 牆面保護罩(如需要)
- 矽利康
- 石灰水泥(選用)
- 建築黏膠(選用)
- 浴缸保護套
- 釘子

## 安裝之前

### A. 底层地面的准备 底層地面的準備

檢查浴缸下的地面，請確保底層地面水平，對底層地面做防水處理。

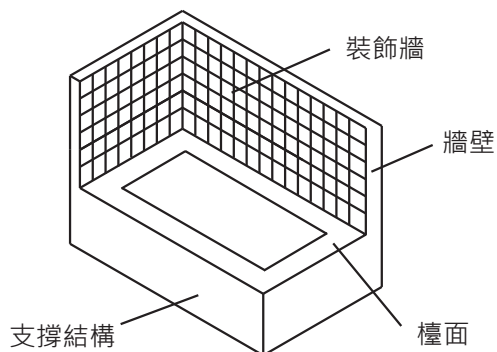
建議：砌好專門安放浴缸的基座，該基座尺寸不得小於240X240mm。位置視所購買浴缸腳的位置而定。高度應視採用的排水而定。如下圖：



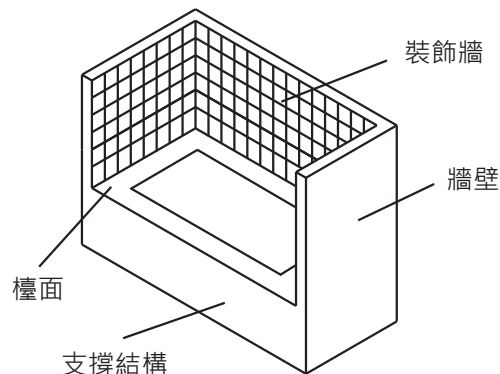
## B. 浴缸支撐結構的準備

下圖所示為幾種常用的支撐結構，請採用適合您的浴缸型號的結構。對不同的支撐結構方式，也許有必要進行適度調整。

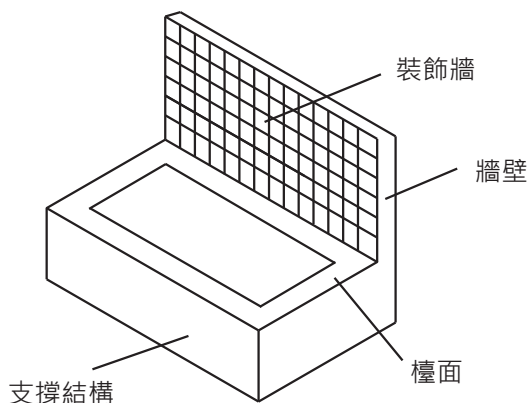
### 1). 牆角安裝



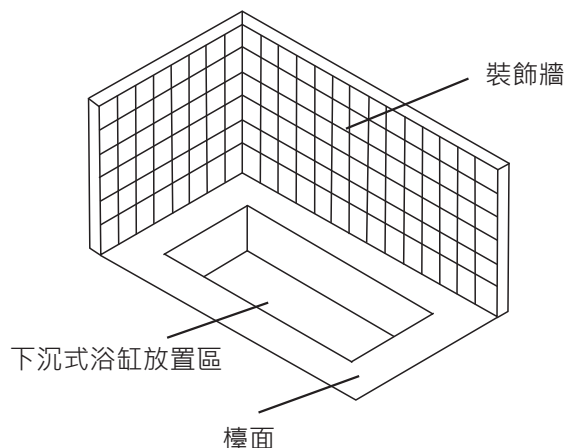
### 2). 三面靠牆安裝



### 3). 單面靠牆安裝



### 4). 下沉式安裝



## C. 檯面的準備

根據浴缸的外形準備檯面。如果有切割圖，請按切割圖制備檯面，這將提供您安裝所需的切割尺。

## D. 管道的準備

將進水管道和排水管道按安裝尺寸排布，檢查供水管是否漏水。

## E. 其他準備

**注意:** 安裝前，必須去除排水口、溢水口及擋水邊四周的防護膜，以便進行防水密封處理。

**注意:** 在浴缸表面蓋上保護套或類似的材料，小心不要劃傷浴缸表面。



**鑽孔:** 可用一麻花鑽頭鑽小孔，但切削刃必須用一塊油石磨鈍。大孔須用孔鑽加工。麻花鑽頭的最大尺寸為12mm，速度為6mmx1800轉分至12mmx900轉分。

**注意:** 鑽孔要從壓克力表面鑽向浴缸背面。

**切割:** 如果因故須要切割壓克力，請用優質齒型鋼鋸仔細切割。邊緣可用一舊銼刀及中等砂紙磨平。

如果壓克力表面受損，可用磨石性清潔劑拋光，將其恢復。深度刮傷可用600號水砂紙磨平，然後拋光。

## 安裝浴缸和配件

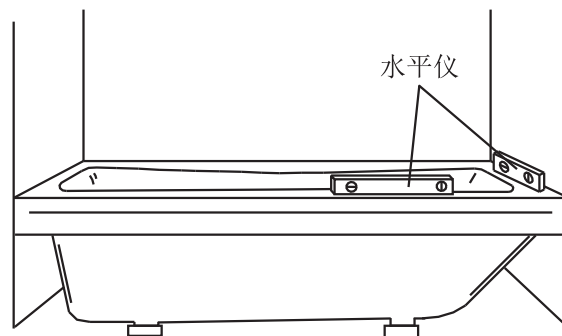
### A. 安裝配件

如浴缸有其他配件如扶手，排水或枕頭，毛巾架等，請在安裝浴缸之前進行安裝。具體安裝方法請見其單獨的安裝說明書。

**注意:** 必須在靠近排水的位置設置檢修門以便維修。

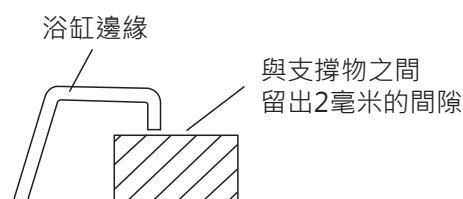
### B. 放置浴缸

**注意:** 在支腳和墊片上塗足夠量的泥灰漿或類似材料，將浴缸放入安裝位置。確保浴缸長度方向和寬度方向均水平放置，並且所有重量都均勻地承載在支腳上。



**注意:** 如果浴缸有調整腳，請使用調節腳調整水平。

**警告:** 不要靠近邊緣將浴缸懸掛。浴缸邊緣如右圖。



## C. 安裝衛生管道

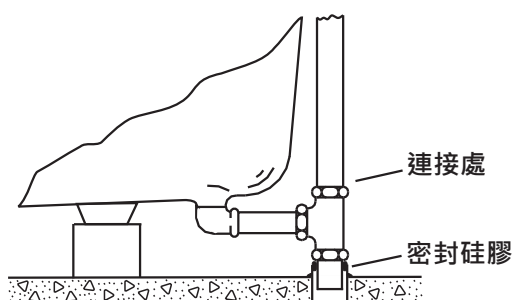
**注意:** 避免損壞浴缸底部和地面，浴缸的所有排水接口都要確保做好防慎處理。

1). 安裝水龍頭及配件。打開冷水及熱水閥門，檢查所有給水接頭是否有滲漏。

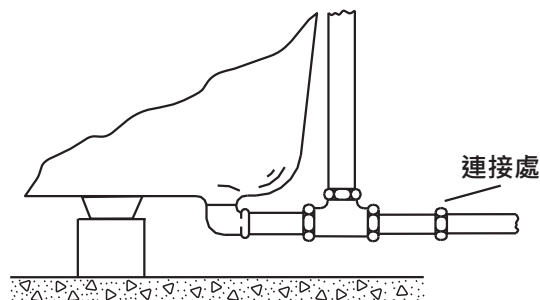
**注意:** 為方便以後維修，一定要安裝一個檢修門。

2). 讓水流入浴缸然後放水，檢查排水配件接頭是否有滲漏。

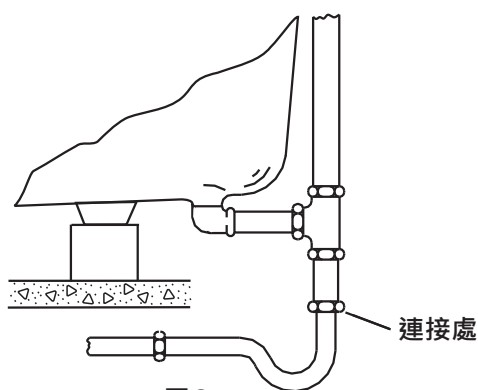
當浴缸固定到位後，將排水管與存水彎相接，如圖A、B、C、D。



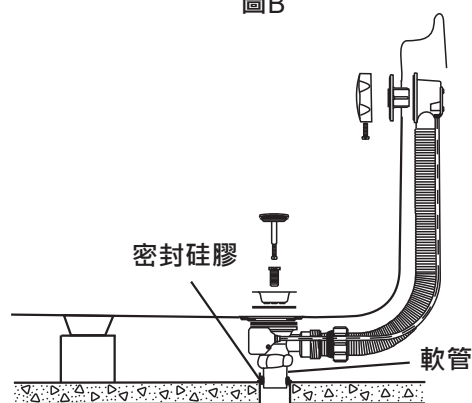
圖A



圖B



圖C

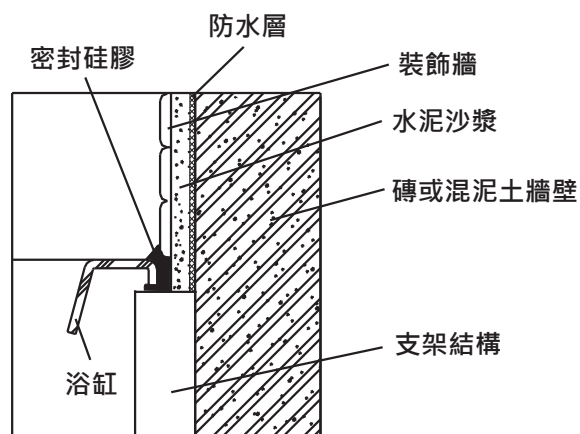
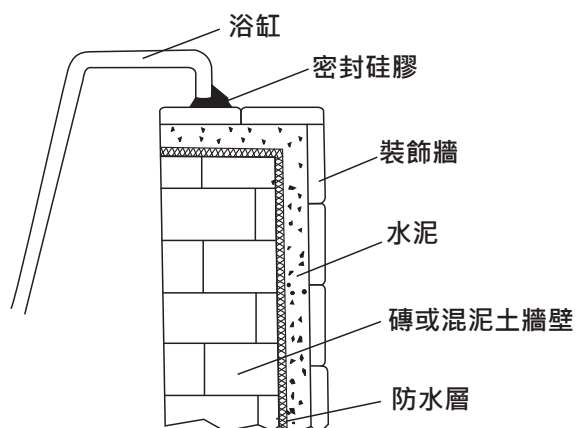


圖D

## 完成牆壁裝修

完成牆壁貼面(如磁磚或大理石貼面)。

**建議:** 使用常溫下硬化的密封膠



## 完工清理

在安裝完成後進行清理時，請勿使用磨損性的清潔用具，以免擦傷浴缸表面，使其失去光澤。使用溫水和非腐蝕性的液體清潔劑，清洗浴缸表面。

難以清除的污跡、油漆、或柏油，可用酒精擦淨。請不要讓含有溶劑的清潔劑滯留。滯留水泥可用薄木刀刮掉。請不要使用金屬刮刀，鋼絲刷，或其他金屬工具。對殘留的水泥漿，可用濕布黏些洗衣粉，以提供輕微的研磨作用。

## 清潔和保養

清洗壓克力表面: 請勿在壓克力表面使用磨損性的清潔用具，以免擦傷浴缸表面，使其失去光澤。每次使用後，將浴缸擦乾，以防止肥皂和污垢沉積。

若壓克力表面失去光澤，先用汽車拋光劑\*，然後再用粗蠟打亮。

\*我們推薦使用以下2種拋光劑:

- ① Mequiars 鏡面光亮28金屬上光劑。(進口)
- ② 拋光膏(綠油)