

139.7 mm (5.5 in)
INSIDE

139.7 mm (5.5 in)
INSIDE

138.11 mm (5 7/16 in)
FOLD INSIDE - FIRST FOLD

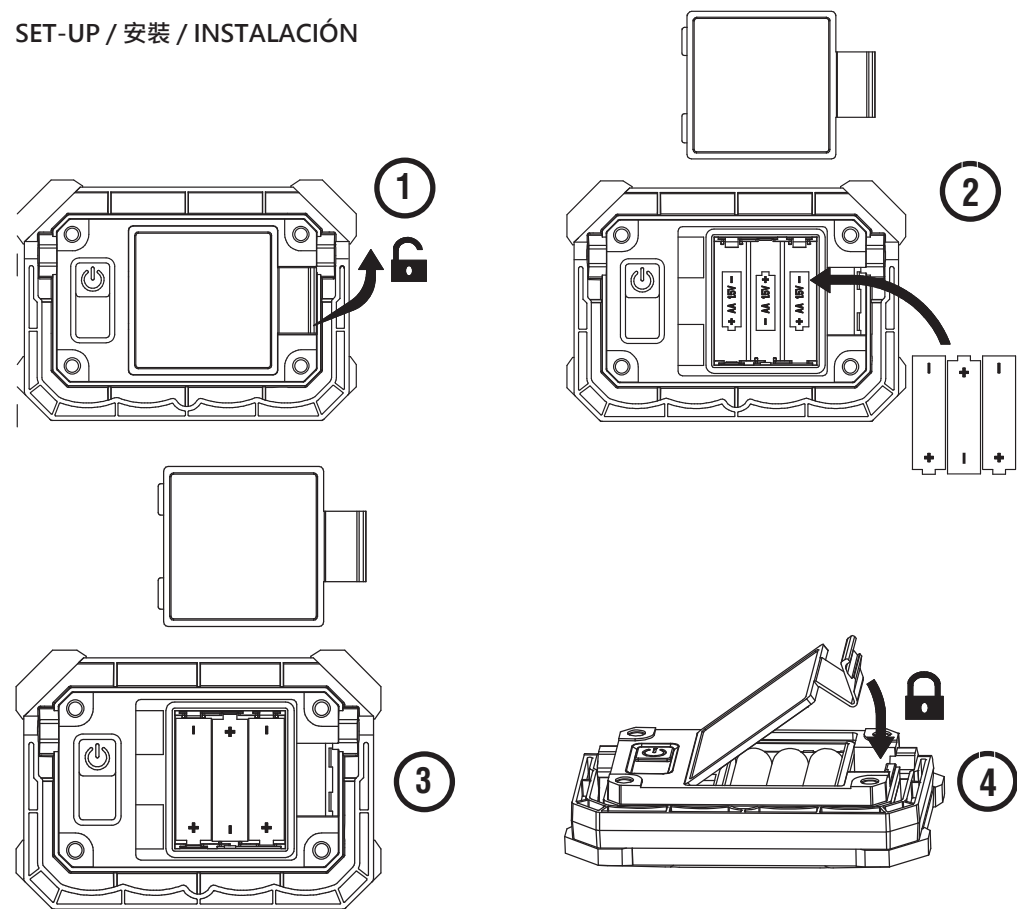
3 LED WORKLIGHTS

3 LED工作燈

3 LÁMPARAS DE TRABAJO LED

品項 / 商品編號1600251

SET-UP / 安裝 / INSTALACIÓN

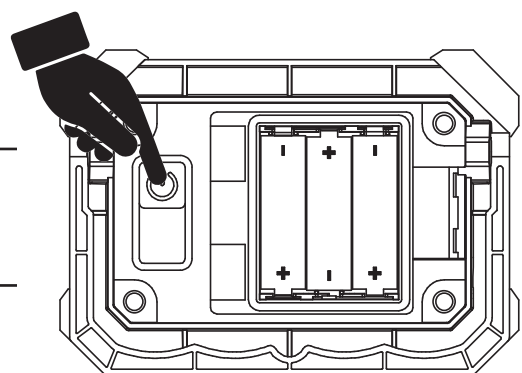


OPERATION / 操作說明 / OPERACIÓN

- a) Press one time for HIGH light
- b) Press two times for MEDIUM light
- c) Press three times for LOW light
- d) Press four times for SOS

- a) 按壓一次，開啟高亮度照明
- b) 按壓二次，開啟中亮度照明
- c) 按壓三次，開啟低亮度照明
- d) 按壓四次，開啟求救 (SOS) 燈號

- a) Presione una vez para luz de ALTA INTENSIDAD
- b) Presione dos veces para luz MEDIA
- c) Presione tres veces para luz BAJA
- d) Presione cuatro veces para SOS



Keep batteries away from children
孩童應遠離電池
Mantenga las pilas fuera del alcance de los niños.



RoHS



CAUTION

CAUTION: Batteries may explode or leak, and cause burn injury, if recharged, disposed of in fire, mixed with a different battery type, inserted backwards or disassembled. Replace all used batteries at the same time. Do not mix old and new batteries. Do not carry batteries loose in your pocket or purse. Do not remove the battery label. Do not shine LED light directly in the eyes.

FCC STATEMENT OF COMPLIANCE

NOTE

WARNING: Changes or modifications not approved by the party responsible for compliance could void user's authority to operate the equipment. This equipment has been tested and found to comply with the limits for a Class B digital device, pursuant to Part 15 of the FCC Rules. These limits are designed to provide reasonable protection against harmful interference in a residential installation. This equipment generates, uses and can radiate radio frequency energy and, if not installed and used in accordance with the instructions, may cause harmful interference to radio communications. However, there is no guarantee that interference will not occur in a particular installation. If this equipment does cause harmful interference to radio or television reception, which can be determined by turning the equipment off and on, the user is encouraged to try to correct the interference by one or more of the following measures:

- Reorient or relocate the receiving antenna.
- Increase the separation between the equipment and receiver.
- Connect the equipment into an outlet on a circuit different from that to which the receiver is connected.
- Consult the dealer or an experienced radio/TV technician for help.

Note: This device complies with Part 15 of the FCC Rules. Operation is subject to the following two conditions: (1) This device may not cause harmful interference, and (2) This device must accept any interference received, including interference that may cause undesired operation.

CAN ICES-005 (B)/NMB-005(B). This Class B digital apparatus complies with Canadian ICES-005.

CAUTION

Always purchase the correct size and grade of battery most suitable for the intended use. Always replace the whole set of batteries at one time, taking care not to mix old and new ones, or batteries of different types. Clean the battery contacts and also those of the device prior to battery installation. Ensure the batteries are installed correctly with regard to polarity (+ and -). Remove used batteries promptly. Remove batteries from appliances that will not be used for long periods of time (months or longer). Keep contacts clean, both on the battery and in the appliance.



Please dispose of batteries according to local regulations for the battery chemistry.
Working Temperature: -20 °C a 54 °C / -4°F to 130°F.

Compatible with alkaline batteries and rechargeable batteries.
DO NOT mix and use alkaline batteries with rechargeable batteries together.
For the best performance, use Duracell alkaline batteries.

Duracell is a registered trademark of Duracell U.S. Operations, Inc. and Duracell Batteries BVBA, as applicable, in the U.S. and other countries, used under license. All rights reserved.

© Customer Service for North America (English, French, Spanish):
1-866-544-4891

Hours: Monday-Friday, 8AM to 5PM Pacific Time

警告事項

小心：電池若進行充電、將其丟棄火中、把不同的種類加以混用、安裝顛倒或進行拆解可能會爆炸或漏液，而造成燒燙傷。電池應全數同時更換。請勿混用新舊電池。請勿將電池隨意擺放在口袋或皮包裡。請勿移除電池標籤。請勿將LED燈直接照射眼睛。

FCC 符合性聲明

注意事項

警告：未經負責本產品之責任單位核可而逕自改裝或變更本產品，使用者將喪失使用本產品之權利。本產品設備經測試並證明符合根據美國聯邦通訊委員會 (FCC) 規範的15部分所設定之B級 (Class B) 數位裝置之限制條件。相關限制的訂定在於提供適當的保護，以防止住宅安裝時造成不良干擾。本設備會產生、使用並釋放射頻電能，如未依照說明手冊進行安裝與使用，將對無線電通訊產生不良干擾。然而，以特定的程序安裝並不保證絕對不會有干擾產生。若本裝置確實對無線電通訊及電視信號接收產生嚴重的干擾，此不良干擾可經由交替開關本產品設備來判定；用戶可透過以下一種或多種方法試著解除干擾：

- 調整接收天線的方向或位置。
- 拉長設備與接收器的間距。
- 將產品設備接到與接收器不同電路的插座上。
- 請洽經銷商或有經驗的無線電 / 電視技術人員以尋求協助。

本裝置符合美國聯邦通訊委員會 (FCC) 規範的15部分之規定。操作時需遵守以下兩項條件限制：(1) 本裝置不致造成有害的干擾，且 (2) 本裝置必須能承受所接收之任何干擾，包括可能造成非預期的操作干擾。

加拿大ICES-005 (B) / NMB-005(B)規範。本B級數位裝置符合加拿大ICES-005之規範。

警告事項

務必選購最適用的正確尺寸與同等級的電池。務必同時更換整組電池，留意勿混用新舊電池，或是不同種類的電池。安裝電池前應清潔電池接點以及相關的裝置。確保電池依正確地正負極位 (+ 及 -) 進行安裝。耗用完的電池請立即取出。長時間 (數月或更久) 不使用時應將電池由設備中取出。電池與裝置的接點應保持清潔。



請依當地有關電池化學的有關規定回收處理電池。
工作溫度：-20 °C 至 54 °C / -4 °F 至 130 °F。

適用鹼性電池及充電電池。
請勿混用鹼性電池與充電電池。
為達最佳效能，請使用金頂鹼性電池。

Duracell為Duracell U.S. Operations, Inc.之註冊商標，而Duracell Batteries BVBA適用於美國及其他國家，依特許使用。版權所有。

◎北美客服 (提供英語、法語、西班牙語服務)：

1-866-544-4891

營業時段：週一至週五、上午8時至下午5時 (太平洋時間)

Client: INFINITY X1

File: ITM. / ART. ITM. / ART. 1600251

600 LUMEN - 3 PACK WORKLIGHT- INSTRUCTION MANUAL v.5

SIZE: 236.3mm W x 245.3mm H (9 5/16" W x 9 11/16" H)

Start Date: DEC. 14 -19 - End Date: JAN. 10, 2020



NOASOUND PRODUCTIONS
noasound.com
514-235-6603
info@noasound.com



CMYK

PMS 876
C-29% M-54% Y-67% K-20%

PMS 877 SILVER

220.66 mm (8 11/16 in)