

R72421T Awaken 多功能手持花灑-流線型

安裝之前

BEFORE YOU BEGIN

所有的資料是按最新出版的產品資料編寫而成。KOHLER 保留任何時候不經通知即可改變產品特性、包裝或產品可供類型的權利。

All information is based on the latest product information available at the time of publication. Kohler Co. reserves the right to make changes in product characteristics, packaging, or availability at any time without notice.

說明書包括重要的安裝、保養及清潔方面的內容，請把這些資料交給用戶閱讀。

Please leave these instructions for the consumer. They contain important information.

注意事項:

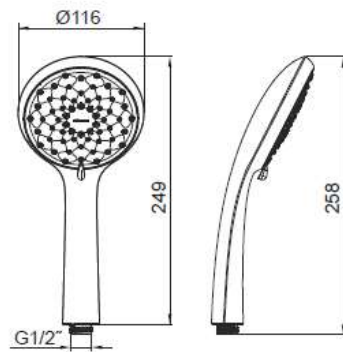
NOTES:

1. 一定要先徹底沖洗供水管以清除管道中的雜質。
2. 花灑最高工作壓力：0.5MPa (5bar)。水壓超過 0.5MPa (5bar) 須安裝減壓閥。花灑最高工作溫度及環境溫度：60℃。請特別注意花灑同花灑連接的臂管須遠離暖風機，否則可能損壞花灑及其密封件，甚至對使用者造成傷害。

1. Flush the water supply pipes thoroughly to remove debris.
2. The highest working pressure for spray is 0.5MPa (5 bar). If it exceeds 0.5MPa (5 bar), a pressure reducer is needed. The highest water and environment temperature is 60°C. Please keep handspray, shower head and the shower arm away from heater, or it may become damaged and cause injury to the user.

安裝尺寸

ROUGH-IN DIMENSIONS



R72421T

安裝步驟

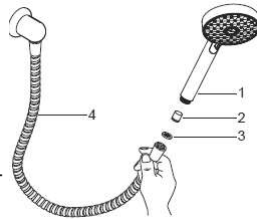
INSTALLATION

如何安裝手持花灑

裝手持花灑(1)之前，先打開水源約一分鐘沖洗掉雜質。

根據需要將單向閥(2)放入到花灑進水端。將濾網墊片(3)放入花灑軟管(4)接頭內，連接手持花灑與軟管。

注意：不要過分擰緊。軟管另一端連接水源。



How to Install the Hand Shower

Flush both water supply for about one minute before the hand shower(1) is installed.

Install check valve(2) into the shower inlet if needed. Put the screen washer(3) into the shower hose(4) connector. Attach the hand shower to shower hose.

Note: Don't over tighten. Connect another end of shower hose to the water supply.

如何操作手持花灑

轉動花灑面板上的旋鈕即可調節花灑的各種水流模式。



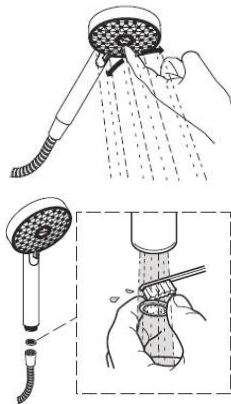
How to Operate the Hand Shower

Rotate the knob of the hand shower to change the water flow.

如何維護保養花灑

噴孔雜質或結垢會導致水流變形，流量變小。打開水源，用力按壓或摩擦橡膠噴孔，去除雜質或水垢。

取下軟管接頭內的濾網墊片，去除雜質。



How to Maintain the Hand Shower

Any debris or mineral build-up may cause the flow stream to become distorted or reduce the flow rate. To remove the debris or mineral build-up, run water through the hand shower, firmly press or rub your finger back and forth across the rubber nozzles.

Remove and clean the screen washer.

清理說明

適用於所有加工處理過的表面：以中性肥皂水清洗鍍層表面，再以乾淨的軟布徹底地擦乾整個表面。有許多清潔劑，比如氨水，去污粉及潔廁靈等，會對電鍍表面造成傷害，切忌使用。有磨損性的清潔用具或清潔劑也不可適用於 KOHLER 的水龍頭及其配件上。

CLEANING INSTRUCTIONS

All Finishes: Clean the finish with mild soap and warm water. Wipe entire surface completely dry with clean soft cloth. Many cleaners may contain chemicals, such as ammonia, chlorine, toilet cleaner etc, which could adversely affect the finish and are not recommended for cleaning.

Do not use abrasive cleaners or solvents on Kohler faucets and fittings.